



MDA-285

denver.eu

5/2024



FR

Cet appareil, ses
cordons et ses
accessoires sont
recyclables

À DÉPOSER
EN MAGASIN



OU

À DÉPOSER
EN DÉCHÈTERIE



Points de collecte sur www.quefairedemesdechets.fr
Privilégiez la réparation ou le don de votre appareil !

Safety information

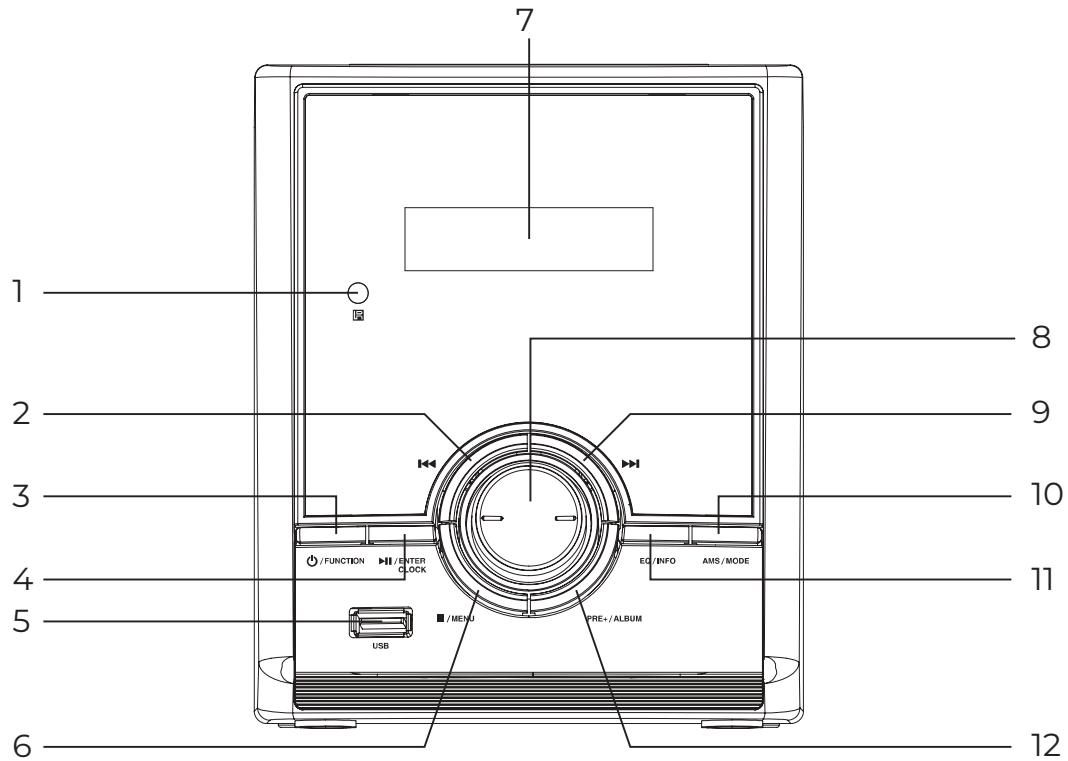
Please read the safety instructions carefully before using the product for the first time and keep the instructions for future reference.

1. This product is not a toy. Keep it out of reach of children.
2. Keep product out of the reach of children and pets to avoid chewing and swallowing.
3. Product operating and storage temperature is from 0 degree Celsius to 40 degree Celsius. Under and over this temperature might affect the function.
4. Never open the product. Touching the inside electrics can cause electric shock. Repairs or service should only be performed by qualified personnel.
5. Do not expose to heat, water, moisture, direct sunlight!
6. Please protect your ears against loud volume. Loud volume can damage your ears and risk in hearing loss.
7. Bluetooth wireless technology operates within a range of about 10 m (30 feet). The maximum communication distance may vary depending on the presence of obstacles (people, metal objects, walls, etc.) or the electromagnetic environment.
8. Microwaves emitting from a Bluetooth device may affect the operation of electronic medical devices.
9. The unit is not waterproof. If water or foreign objects enter the unit, it may result in fire or electric shock. If water or a foreign object enters the unit, stop use immediately.
10. Only to be used with the supplied power plug. The direct power plug is used as disconnect device, the disconnect device shall remain readily operable. So, make sure there is space around the power outlet for easy access.

Please notice that DAB signal can be weaken MUCH depending on the type of building you are living in. (fx. It can be hard to catch proper signal when being in a concrete building.)

Signal can also be different in different areas of the country. Please check your local transmitter to get the best signal in your area.

Product overview



1. REMOTE SENSOR

2. SKIP- / TUNING- button

3. STANDBY / FUNCTION button

4. ENTER / PLAY / PAUSE / CLOCK button

5. USB slot

6. STOP / MENU button

7. DISPLAY

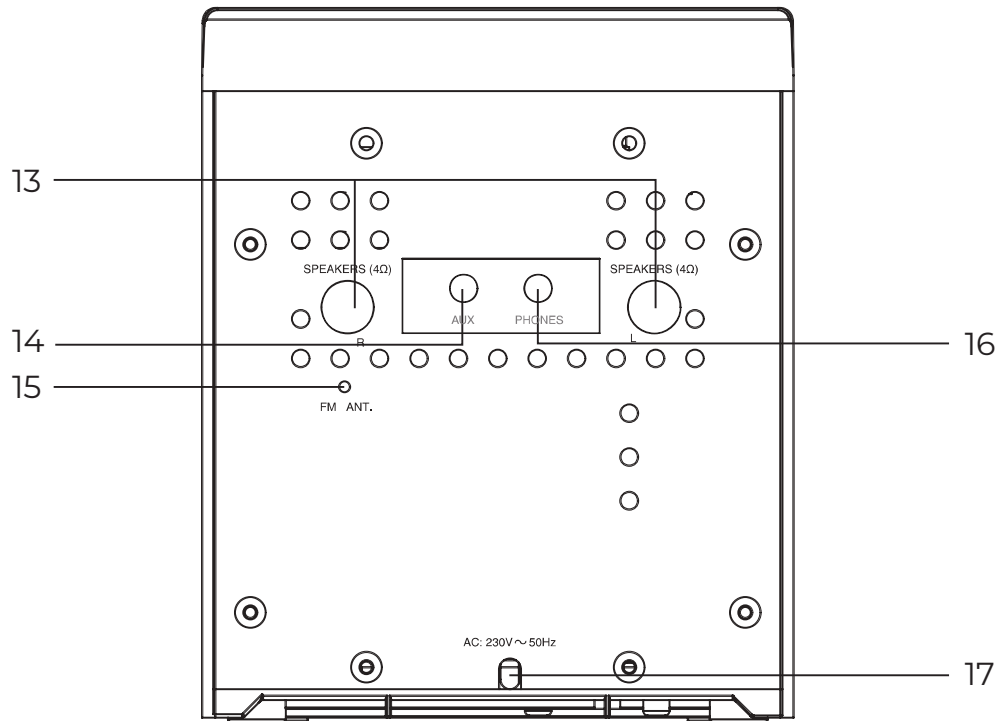
8. VOLUME TUNING KNOB

9. SKIP+ / TUNING+ button

10. AMS / MODE button

11. EQ / INFO button

12. PRE. / FOLDER button



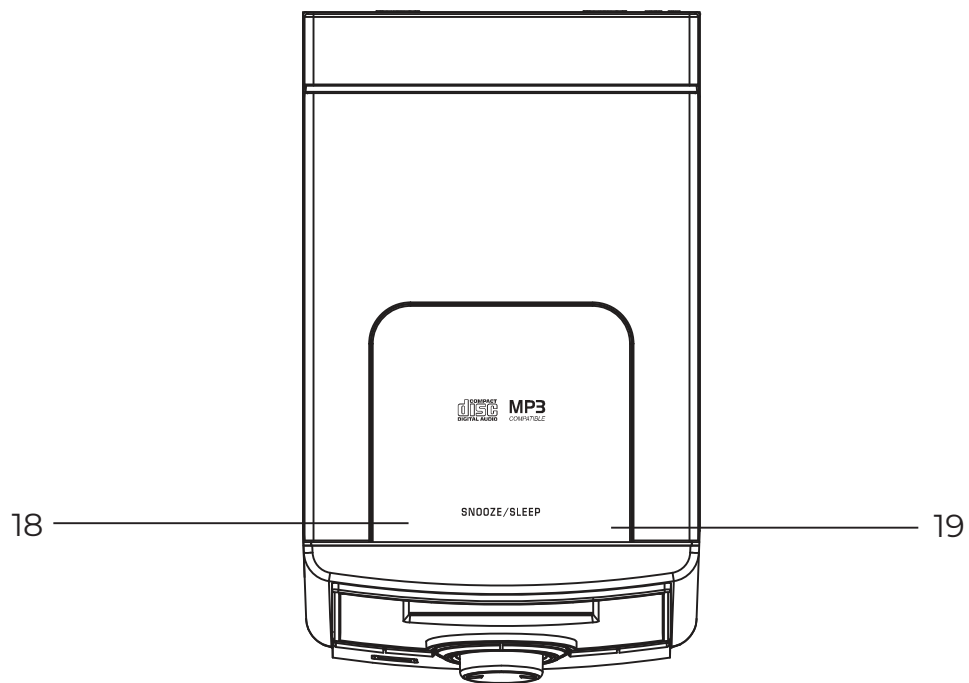
13. SPEAKER JACKS (L/R)

14. AUX-IN JACK

15. FM ANTENNA

16. HEADPHONE JACK

17. AC POWER CORD



18. SNOOZE/SLEEP button

19. CD DOOR OPEN / CLOSE

Remote Control

Wireless operation from a distance up to 5 meters. During operation, please ensure a clear line of view between the remote control and the sensor on the device. Remote use CR 2025 battery (included)

Set up the device

Ensure that the device is adequately ventilated!

Connect the speakers on the back to the terminals "SPEAKERS R and L". Press the "STANDBY / FUNCTION" button to turn on the device. Press & hold the "STANDBY / SOURCE" button on the stereo for approx. 3 seconds to switch into the standby mode (or use remote control).

Power Supply

Pay attention to the mains voltage! The rear of the stereo shows the correct voltage for your device. Insert the mains plug into a properly installed power socket. If the device is not used for a longer period, the mains plug must be disconnected from the socket. NOTE: After about 10 minutes without a signal, the device will automatically switch to standby.

Setting the clock & date

The device must be in standby mode to set the clock.

1. Press and hold the "ENTER / PLAY / PAUSE / CLOCK" button for approx. 3 seconds and the display will start to flash.
2. Use the "SKIP+ / TUNING+ / TUNING+" & "SKIP- / TUNING- / TUNING-" buttons to set the time format 12 or 24 hour "12 / 24hr".
3. Press the "ENTER / PLAY / PAUSE / CLOCK" button to confirm time format.
4. The hour digits will now be flashing. Use the "SKIP+ / TUNING+ / TUNING+" & "SKIP- / TUNING- / TUNING-" buttons to set the hours.
5. Press the "ENTER / PLAY / PAUSE / CLOCK" button to confirm the hour.
6. Repeat steps 4 and 5 to set the minute / date.

Setting of the alarm time

The device must be in standby mode to set the alarm. Use the remote control to set the alarm. You have the option of setting two alarm times. Proceed as follows:

1. Press the remote control "ALARM 1" button for about 3 seconds. The hours of the currently set alarm time will start to flash.
2. Adjust the settings with the "SKIP+" & "SKIP-" buttons to set alarm hours.
3. Press the "ALARM 1" button to confirm. The minutes will now start to flash.
4. Adjust the alarm minutes with "SKIP+" & "SKIP-" button.
5. Press the "ALARM 1" button to confirm. Now choose how you would like to be woken up (CD, radio, Buzzer etc). Adjust the settings with the "SKIP+" & "SKIP-" buttons. Press "ALARM 1" to confirm.

The selection is as follows: FM, DAB, CD, USB and BUZZER

6. Finally, press the "SKIP+" & "SKIP-" buttons to set the alarm volume. Press "ALARM 1" to confirm.

To set the second alarm time, repeat each of the above steps with the "ALARM 2" button.

Activate or Deactivate the alarm

When an alarm is active an icon will be shown on the clock display.

If Alarm is on press "ALARM 1" or "ALARM 2" briefly multiple times to choose "Alarm off". If no alarm icon is displayed the alarm will not sound.

To turn an alarm on briefly press "ALARM 1" or "ALARM 2" multiple times to choose the wake-up method (CD, DAB etc). The alarm icon will then be shown on screen confirming alarm is now active.

Snooze

The automatically set alarm function can be switched off for 9 minutes using the "SLEEP / SNOOZE" button on the top of the stereo CD door.

Sleep

When listening to the stereo briefly press the "SLEEP / SNOOZE" button to switch on sleep timer. The sleep timer adjusts in 10 minute steps from 120 minutes to 10, 5 and then OFF.

DAB mode

Place pigtail radio aerial located on the rear of the stereo up as high as possible for best reception. Select the DAB mode with the "STANDBY / FUNCTION" button, until "DAB" is shown in the display. The radio will automatically do a full scan of DAB stations. The list of stations is then stored. When the scan is complete, the stations are stored in alphabetical order. The first available station will be played back.

NOTE: If there is no DAB reception at any time, change the position of the unit or adjust the antenna. Press and hold the "AMS/MODE" button for approx. 3 seconds to start a new search.

DAB Menu

In DAB mode, press the "STOP/MENU" button to show the DAB menu.

Use the "SKIP+ / TUNING+" & "SKIP- / TUNING-" buttons to select the menu and press the "ENTER / PLAY / PAUSE / CLOCK" to enter.

The DAB menu is divided into sections: Full scan, Manual tune, DRC, Prune and System.

Full scan: Starts a station scan. The DAB frequency band is scanned for stations.

Manual tune: To do so you need to know the station frequency of your preferred channel. This can be found on the internet site of the broadcasting service. Select individual frequencies using the "ENTER / PLAY / PAUSE / CLOCK" button.

DRC - Can reduce the volume of louder sounds and boost volume of quieter sounds. It can be a useful when listening to audio at lower volumes:

- DRC off: The dynamic range is not reduced.
- DRC high: The dynamic range is sharply reduced.
- DRC low: The dynamic range is slightly reduced.

Prune: It may be that you can no longer receive some stations after a station scan or change of location. With this function you can delete these stations from the reception list. Select "YES" and confirm with the "ENTER / PLAY / PAUSE / CLOCK" button.

FM Radio

1. Select the FM mode with the "STANDBY / FUNCTION" button, until "FM" is shown in the display.
2. For FM reception: Place pigtail radio aerial located on the rear of the stereo up as high as possible for best reception Change its position to improve reception.
3. There are two options to search for and preset radio stations.

Automatic scan: Important! Any preset radio stations will be overridden.

Press and hold the "AMS / MODE" button for approx.3 seconds. Any stations found will be preset from lowest to highest frequency.

Manual scan for audio stations: Briefly press the "SKIP+ / TUNING+ / TUNING+" & "SKIP- / TUNING- / TUNING-" buttons, until you have found the radio station which you are looking for. If you keep one of the buttons pressed down, the device will search to the previous, respectively next radio station.

Preset station:

1. Press and hold the "AMS / MODE" button on unit for approx. 3 seconds to start the automatic preset process.
2. Display will show the memory sequence number and radio stations will be automatically preset into the sequence number (Note: Each sequence number means 1 preset station while during automatic preset process.)
3. Once all the stations are automatic preset, press the "PRE. / FOLDER" button to choose preset stations.

Info display

Press the "EQ / INFO" button to show the FM information.

FM Menu

In FM mode, press the "STOP/MENU" button to show the FM menu.

Use the "SKIP+ / TUNING+" & "SKIP- / TUNING-" buttons to select the menu and Press the "ENTER / PLAY / PAUSE / CLOCK" to enter.

The FM menu is divided into menus: Scan setting, Audio setting and System.

Scan setting: Select the desired option for automatic station search.

All stations: Search for all stations that can be received. In this case, station search also stops for weak stations.

Strong stations only: Only clear stations are searched.

Audio setting: Select the MONO or STEREO for FM reception.

Playing CDs/MP3

1. Select the CD mode with the "STANDBY / FUNCTION" button, until "CD" is shown in the display.
2. Open the CD compartment by pulling the lid upwards by the side tabs on CD door.
3. Insert an audio CD into place (with printed top of cd facing upwards) and close the lid of the CD compartment. The CD will play from the first title.
5. To remove a CD, please press the STOP button, open the CD compartment, and lift the CD out carefully.

Always keep the CD deck closed.

Playing music via USB

We recommend using a 32GB or smaller FAT32 format USB flash drive.

1. Select the USB mode with the "STANDBY / FUNCTION" button, until "USB" is shown in the display.
2. Connect a USB storage device directly into the port. Playback will automatically start after a few seconds.

For operation, please refer to the section "Description of the control buttons".

NOTE: Always directly connect a USB storage medium to the USB port to prevent any malfunctions. The USB port is not designed for charging external devices.

CAUTION: Switch the device to a different operating mode before you remove the USB storage device

Description of the control buttons

NOTE: Not all the functions may be supported depending on the playback device.

ENTER / PLAY / PAUSE / CLOCK: You can briefly interrupt and resume playback using this button. The display shows the elapsed playback time flashing. Pressing again continues playback. Press the "ENTER / PLAY / PAUSE / CLOCK" button for approx. 3 seconds during operation order to briefly display the current time.

SKIP+ / TUNING+ & SKIP- / TUNING-: This button you can jump to the next or previous track etc.

The "SKIP- / TUNING- / TUNING-" button can be used as follows:

Press once = This starts the current track again from the beginning.

Press twice = This jumps back to the previous track.

If the button is kept pressed down, the machine starts to search through the tracks.

STOP

The playback is stopped.

Volume

You can set the desired volume with the "VOLUME" tuning knob.

AMS / MODE

During the playback of an audio CD

Press once = the normal play mode. The display will show "Normal".

Press twice = the current track is repeated continuously. The display will show "Repeat One".

Press three times = the whole CD is played continuously. The display will show "Repeat All".

Press four times = all tracks will be played in random order. The display will show "Random".

Press five times = back to the normal play mode.

During playback of MP3 music (Under USB mode):

Press once = the normal play mode. The display will show "Normal".

Press twice = the current track is repeated continuously. The display will show "Repeat One".

Press three times = the selected folder is repeated continuously. The display will show "Repeat Folder".

Press four times = the whole USB is played continuously. The display will show "Repeat All".

Press five times = all tracks will be played in random order. The display will show "Random".

Press six times = back to the normal play mode.

PRE. / FOLDER

Use the "PRE. / FOLDER" button to choose /change the folder.

Programmed playlist

This can be used to program any desired sequence of tracks.

1. Press the "STOP / MENU" button.

2. Press the "AMS / MODE" button. "P_01" will start to flash. P_01 means the storage space. Use the "SKIP+ / TUNING+ / TUNING+" & "SKIP- / TUNING- / TUNING-" buttons to select the desired track and then press the "AMS / MODE" button again. The display "P_01" will be changed to "P_02".

3. Select the next track with the "SKIP+ / TUNING+ / TUNING+" & "SKIP- / TUNING- / TUNING-" buttons and press the "AMS / MODE" button again. Repeat the procedure until all the desired tracks are selected.

NOTE: Once the storage capacity of the tracks to be programmed has been reached "PROG-FULL" will show in the display.

4. Press the "ENTER / PLAY / PAUSE / CLOCK" button. The playback starts. The upper left of the display will show "MEM".

5. Press once the button to stop the playback while retaining the program.

6. To play the programmed back again, press the "ENTER / PLAY / PAUSE / CLOCK" button.

7. To delete the program, press the "STOP" button twice. The notification "MEM" will disappear.

Bluetooth

Before you listen to music via the unit, you must pair the devices.

1. Ensure, that the Bluetooth function is activated in your player (e.g. mobile phone).
2. Select the Bluetooth mode with the "FUNCTION / STANDBY" button.
3. Chose the Bluetooth menu in your player and pair with MDA-285".

If possible, adjust the volume of the external unit to a comfortable level.

NOTE: Only one playback device can be connected to the music center at one time. If the music center is already connected to a different playback device, the music center will not appear in the BT selection menu.

AUX IN

1. Connect the external device with a 3.5 mm stereo jack to the AUX-IN socket.
2. Repeatedly press the "STANDBY / FUNCTION" button, until "AUX" is shown in the display.
3. You will hear the sound playback from the external device through the loudspeakers. You may adjust the volume with "VOLUME" tuning knob. The CD buttons are not functional.

Headphone socket

To listen to music privately, use headphones with a 3.5 mm stereo jack and connect to the headphones socket on the back of the system.

Preset equalizer function

Different sound modes are available: STANDARD, CLASSIC, ROCK, POP, JAZZ, BASS.

To select the sound modes, proceed as follows:

1. Press and hold the "EQ / INFO" button. The currently set sound mode will be displayed.
2. Press the "EQ / INFO." button again while the sound mode is being displayed.
3. If no other button is pressed within about 2 seconds, the setting will be accepted. The set sound mode cannot be permanently shown in the display for technical reasons.

TROUBLE SHOOTING

CD PLAYER WONT READ CDS:

There are a couple of things to try that invariably fix playback issues with CD players:

- 1). VERY IMPORTANT... Please leave the player switched on for a 2-3 hours in case the player has gathered some small amount of condensation inside it. If the player has got cold and then warm (as happens from transportation and delivery) this can cause a very small amount of condensation which tends to settle under the CD or DVD laser lens and can then also cause play back problems. This issue often happens during / after transportation due to the player moving from one environment to another and often this step is necessary for CD & DVD players after transportation.
- 2). CLEANING THE LASER LENS - Open disc tray and inside under where the disc sits is an arm which moves in and out from the centre of the disc when reading it. There is a lens on this arm which is a small circular piece of glass/plastic that the laser passes through to read the disc. Gently, using a cotton bud, clean this. Any minute piece of dust etc stuck to this can interfere with the laser and cause the player to not read discs. Once cleaned gently blow on it to blow off any dust left there from the cotton bud.

RADIO WONT RECEIVE SOME RADIO CHANNELS:

The pig tail aerial on the rear of the stereo is the radio aerial. Unwind this cable & place this up as high as possible for best reception.

If you're having issues with radio reception then try the radio in a different location as a test.

Radio is extremely prone to being shielded due to buildings, large vehicles parked outside your house, natural obstacles such as hills etc and even weather severely affects radio reception.

Please notice - All products are subject to change without any notice. We take reservations for errors and omissions in the manual.

ALL RIGHTS RESERVED, COPYRIGHT DENVER A/S



denver.eu



Electric and electronic equipment and included batteries contains materials, components and substances that can be hazardous to your health and the environment, if the waste material (discarded electric and electronic equipment and batteries) is not handled correctly.

Electric and electronic equipment and batteries is marked with the crossed out trash can symbol, seen above. This symbol signifies that electric and electronic equipment and batteries should not be disposed of with other household waste, but should be disposed of separately.

As the end user it is important that you submit your used batteries to the appropriate and designated facility. In this manner you make sure that the batteries are recycled in accordance with legislature and will not harm the environment.

All cities have established collection points, where electric and electronic equipment and batteries can either be submitted free of charge at recycling stations and other collection sites, or be collected from the households. Additional information is available at the technical department of your city.

Hereby, Denver A/S declares that the radio equipment type MDA-285 is in compliance with Directive 2014/53/EU. The full text of the EU declaration of conformity is available at the following internet address: denver.eu and then click the search ICON on topline of website. Write model number: MDA-285. Now enter product page, and RED directive is found under downloads/other downloads.

Operating Frequency Range: FM 87.5-108 MHz, DAB 174-240MHz

Bluetooth 2,4 GHZ

Max Output Power: 2x50W/2x5W RMS

DENVER A/S

Omega 5A, Soeften

DK-8382 Hinnerup

Denmark

www.facebook.com/denver.eu

Contact

Nordics

Headquarter

Denver A/S
Omega 5A, Soeften
DK-8382 Hinnerup
Denmark

Phone: **+45 86 22 61 00**
(Push "1" for support)

E-Mail

For technical questions, please write to:
support.hq@denver.eu

For all other questions please write to:
contact.hq@denver.eu

Benelux

DENVER BENELUX B.V.

Barwoutswaarder 13C+D
3449 HE Woerden
The Netherlands

Phone: **0900-3437623**

E-Mail: **support.nl@denver.eu**

Spain/Portugal

DENVER SPAIN S.A

Ronda Augustes y Louis Lumiere, nº 23 – nave 16
Parque Tecnológico
46980 PATERNA
Valencia (Spain)

Spain

Phone: +34 960 046 883
Mail: **support.es@denver.eu**

Portugal:

Phone: **+35 1255 240 294**
E-Mail: **denver.service@satfiel.com**

Germany

Denver Germany GmbH Service

Max-Emanuel-Str. 4
94036 Passau

Phone: **+49 851 379 369 40**

E-Mail

support.de@denver.eu

Fairfixx GmbH

Repair and service
Rudolf-Diesel-Str. 3 TOR 2
53859 Niederkassel

(for TV, E-Mobility/Hoverboards/Balanceboards,
Smartphones & Tablets)

Tel.: **+49 851 379 369 69**

E-Mail: **denver@fairfixx.de**

Austria

Lurf Premium Service GmbH

Deutschstrasse 1
1230 Wien

Phone: **+43 1 904 3085**

E-Mail: **denver@lurfservice.at**

If your country is not listed above,
please write an email to
support@denver.eu



DENVER A/S
Omega 5A, Soeften
DK-8382 Hinnerup
Denmark

denver.eu
facebook.com/denver.eu

Version 1.1