



MCA-240

denver.eu

3/2024



FR

Cet appareil, ses
cordons et ses
accessoires sont
recyclables

À DÉPOSER
EN MAGASIN



OU

À DÉPOSER
EN DÉCHÈTERIE



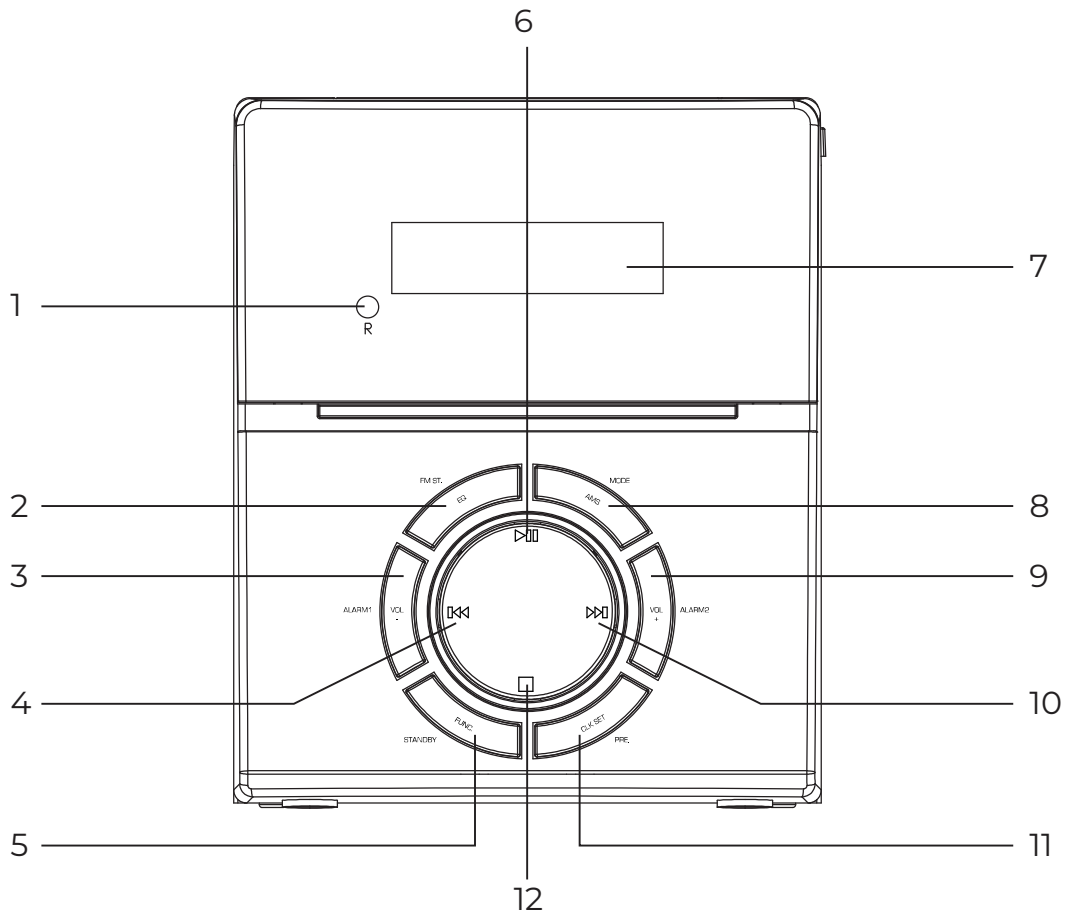
Points de collecte sur www.quefairedemesdechets.fr
Privilégiez la réparation ou le don de votre appareil !

Safety information

Please read the safety instructions carefully before using the product for the first time and keep the instructions for future reference.

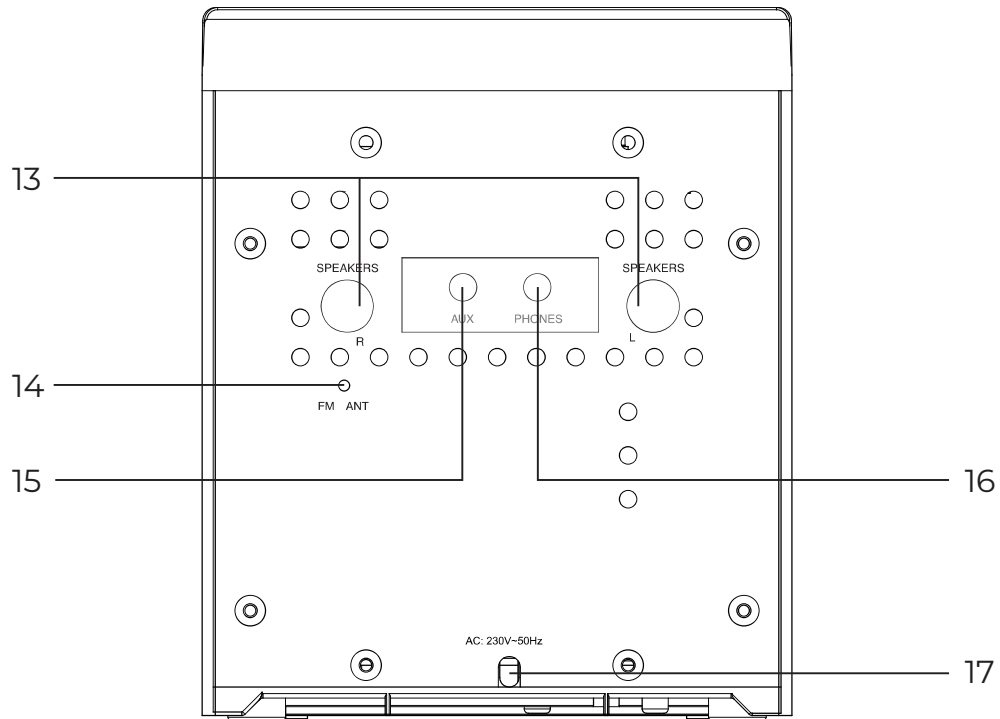
1. This product is not a toy. Keep it out of reach of children.
2. Keep product out of the reach of children and pets to avoid chewing and swallowing.
3. Product operating and storage temperature is from 0 degree Celsius to 40 degree Celsius. Under and over this temperature might affect the function.
4. Never open the product. Touching the inside electrics can cause electric shock. Repairs or service should only be performed by qualified personnel.
5. Do not expose to heat, water, moisture, direct sunlight!
6. Please protect your ears against loud volume. Loud volume can damage your ears and risk in hearing loss.
7. The unit is not waterproof. If water or foreign objects enter the unit, it may result in fire or electric shock. If water or a foreign object enters the unit, stop use immediately.
8. The direct plug-in cable is used as disconnect device, the disconnect device shall remain readily operable. So, make sure there is space around the power outlet for easy access.
9. Do not use non original accessories together with the product as this can make the product functionality abnormal.

Overview of the Components



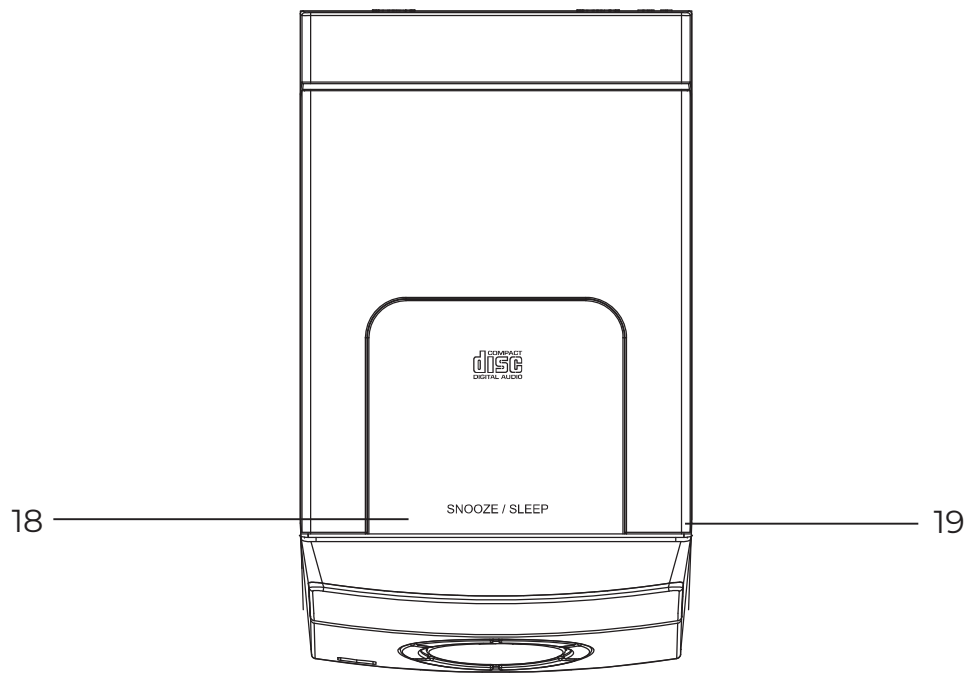
1. REMOTE SENSOR
2. EQ / FM ST. button
3. VOLUME- / ALARM 1 button
4. BACKWARD / TUNING- button
5. FUNCTION / STANDBY button
6. PLAY / PAUSE button

7. DISPLAY
8. AMS / MODE button
9. VOLUME+ / ALARM 2 button
10. FORWARD / TUNING+ button
11. CLOCK SET / PRE button
12. STOP button



- 13. SPEAKER JACKS (L/R)
- 14. FM ANTENNA
- 15. AUX-IN JACK

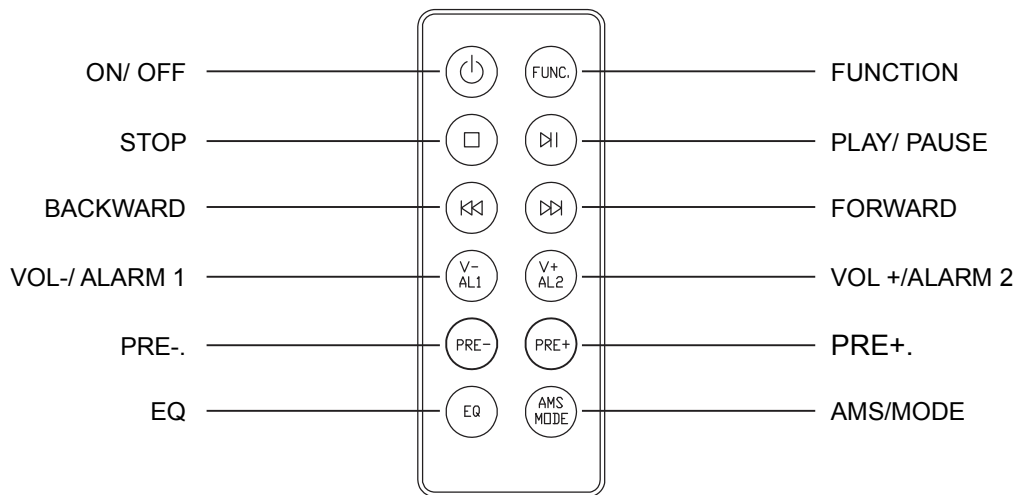
- 16. HEADPHONE JACK
- 17. AC POWER CORD



- 18. SNOOZE / SLEEP button

- 19. CD DOOR OPEN / CLOSE

Remote Control



Getting started

1. Insert the mains plug into a properly installed power socket.
 - If the device is not used for a longer period of time, the mains plug must be disconnected from the socket.
 - After about 10 minutes without a signal, the device will automatically switch to standby.
2. Connect the speakers to the terminals "SPEAKERS R and L" on the back.
3. Press the "FUNCTION / STANDBY" button to turn on the device.
4. Press the "FUNCTION / STANDBY" button for approx. 3 seconds to switch into standby mode.

Setting the clock & date

The system must be in standby mode in order to set the clock.

1. Press and hold the "CLOCK SET / PRE" button for approx. 2 seconds.
2. Use the "FORWARD / TUNING+" & "BACKWARD / TUNING-" buttons to set the time format "12 / 24hr".
3. Press the "CLOCK SET / PRE" button to confirm the time format.
4. Use the "FORWARD / TUNING+" & "BACKWARD / TUNING-" buttons to set the hours. The hour digits start flashing.
5. Press the "CLOCK SET / PRE" button to confirm the hour.
6. Repeat steps 4 and 5 to set the minute.

Setting the alarm time

The system must be in standby mode in order to set the alarm.

You have the option of setting two alarm times.

1. Press the "VOLUME- / ALARM 1" button for about 3 seconds. The hours of the currently set alarm time will start to flash.
2. Adjust the hours with the "FORWARD / TUNING+" & "BACKWARD / TUNING-" buttons.
3. Press the "VOLUME- / ALARM 1" button to confirm. The minutes will start to flash.
4. Adjust the minutes with "FORWARD / TUNING+" & "BACKWARD / TUNING-" buttons.
5. Press the "VOLUME- / ALARM 1" button to confirm. Then choose how you would like to be woken up.
 - BELL
 - FM radio
 - CD
6. Finally, press the "FORWARD / TUNING+" & "BACKWARD / TUNING-" buttons to set the alarm volume. Press the "VOLUME- / ALARM 1" to confirm.

To set the second alarm time, repeat each of the above steps.

To deactivate the alarm function, press the "VOLUME- / ALARM 1" or "VOLUME+ / ALARM 2" button.

Snooze

The automatic alarm can be switched off for 9 minutes with the "SNOOZE / SLEEP" button.

Sleep

1. Press the "SNOOZE / SLEEP" button to enter.
2. Press the "SNOOZE / SLEEP" buttons to set SLEEP time (120, 110, 100,...10, 5, OFF).
3. To cancel SLEEP, repeat steps 1 to 2 and set the SLEEP time to "OFF".

Listening to the FM Radio

1. Select the FM radio mode with the "FUNCTION / STANDBY" button, until "tun" is shown in the display.
2. There are two options to search for and preset radio stations.

Automatic scan:

Note any preset radio stations will be overwritten.

Press and hold the "AMS / MODE" button for approx. 3 seconds. The system will automatically scan and store radio stations. Press the "CLOCK SET / PRE" button to choose the preset stations.

Manual preset stations:

1. Find your desired station and press "AMS / MODE" button. "P01" (Storage space) and the message "MEMORY" will appear in the display.
2. Use the "CLOCK SET / PRE" button to select the memory slot (P01 - P30) and then press the "AMS / MODE" button to confirm.
3. The desired radio stations will be stored in the selected memory slot.
4. Press the "CLOCK SET / PRE" button to select the preset stations.

FM / FM-Stereo reception

Press and hold the "EQ / FM ST." button for approx. 3 seconds to select the MONO or STEREO mode for FM reception.

Playing CDs

1. Select the CD mode with the "FUNCTION / STANDBY" button, until "CD" is shown in the display.
2. Open the CD compartment by pulling the lid upwards by the tab.
3. Insert a CD and then close the lid of the CD compartment.
4. To remove a CD, press the STOP button, open the CD compartment, and lift the CD out carefully. Always keep the CD deck closed.

Programmed play

This can be used to program any desired sequence of tracks.

1. Press the "STOP" button.
2. Press the "AMS / MODE" button. "P01" (Storage space) and the notification "PROG" will appear in the display.
3. Use the "FORWARD / TUNING+" & "BACKWARD / TUNING-" buttons to select the desired track and then press the "AMS / MODE" button to confirm.
4. The display changes to memory slot P02.
5. Select the next track with the "FORWARD / TUNING+" & "BACKWARD / TUNING-" buttons and press the "AMS / MODE" button to confirm. Repeat the procedure until all the desired tracks are selected.
NOTE: Once the storage capacity of the tracks to be programmed has been reached "FUL" flashes in the display.
6. Press the "PLAY / PAUSE" button. The playback starts. In addition, the display will show "PROG".
7. Press the button once to stop the playback while retaining the program.
8. To play the program again, press the "PLAY / PAUSE" button.
9. To delete the program, press the "STOP" button twice. The message "PROG" will disappear.

AMS / MODE

In stop mode for programming any order of tracks (see the section "Programmed Play").

During the playback of an audio CD:

Press once = the current track is repeated continuously and "REP 1" appears.

Press twice = the whole CD is played continuously and "REP ALL" appears.
Press three times = all tracks will be played in random order and "RAND" appears.
Press four times = all functions are cancelled. The normal play mode is resumed.

AUX IN

1. Connect the external device with a 3.5 mm stereo jack plug to the AUX-IN socket.
2. Select the AUX-IN mode with the "FUNCTION / STANDBY" button, until "AUX" is shown in the display.

Headphone socket

To listen to music privately, use headphones with a 3.5 stereo jack plug and connect to the headphones socket on the back of the system. The speakers will then be muted.

Please notice - All products are subject to change without any notice. We take reservations for errors and omissions in the manual.

ALL RIGHTS RESERVED, COPYRIGHT DENVER A/S



denver.eu



Electric and electronic equipment and included batteries contains materials, components and substances that can be hazardous to your health and the environment, if the waste material (discarded electric and electronic equipment and batteries) is not handled correctly.

Electric and electronic equipment and batteries is marked with the crossed out trash can symbol, seen above. This symbol signifies that electric and electronic equipment and batteries should not be disposed of with other household waste, but should be disposed of separately.

As the end user it is important that you submit your used batteries to the appropriate and designated facility. In this manner you make sure that the batteries are recycled in accordance with legislature and will not harm the environment.

All cities have established collection points, where electric and electronic equipment and batteries can either be submitted free of charge at recycling stations and other collection sites, or be collected from the households. Additional information is available at the technical department of your city.

Hereby, Denver A/S declares that the radio equipment type MCA-240 is in compliance with Directive 2014/53/EU. The full text of the EU declaration of conformity is available at the following internet address: denver.eu and then click the search ICON on topline of website. Write model number: MCA-240. Now enter product page, and RED directive is found under downloads/other downloads.

Operating Frequency Range: FM 88-108MHz

Max Output Power: 2x20W (2x2W RMS)

DENVER A/S

Omega 5A, Soeften

DK-8382 Hinnerup

Denmark

www.facebook.com/denver.eu

Contact

Nordics

Headquarter

Denver A/S
Omega 5A, Soeften
DK-8382 Hinnerup
Denmark

Phone: **+45 86 22 61 00**
(Push "1" for support)

E-Mail

For technical questions, please write to:
support.hq@denver.eu

For all other questions please write to:
contact.hq@denver.eu

Benelux

DENVER BENELUX B.V.

Barwoutswaarder 13C+D
3449 HE Woerden
The Netherlands

Phone: **0900-3437623**

E-Mail: **support.nl@denver.eu**

Spain/Portugal

DENVER SPAIN S.A

Ronda Augustes y Louis Lumiere, nº 23 – nave 16
Parque Tecnológico
46980 PATERNA
Valencia (Spain)

Spain

Phone: +34 960 046 883
Mail: **support.es@denver.eu**

Portugal:

Phone: **+35 1255 240 294**
E-Mail: **denver.service@satfiel.com**

Germany

Denver Germany GmbH Service

Max-Emanuel-Str. 4
94036 Passau

Phone: **+49 851 379 369 40**

E-Mail

support.de@denver.eu

Fairfixx GmbH

Repair and service
Rudolf-Diesel-Str. 3 TOR 2
53859 Niederkassel

(for TV, E-Mobility/Hoverboards/Balanceboards,
Smartphones & Tablets)

Tel.: **+49 851 379 369 69**

E-Mail: **denver@fairfixx.de**

Austria

Lurf Premium Service GmbH

Deutschstrasse 1
1230 Wien

Phone: **+43 1 904 3085**

E-Mail: **denver@lurfservice.at**

If your country is not listed above,
please write an email to
support@denver.eu



DENVER A/S
Omega 5A, Soeften
DK-8382 Hinnerup
Denmark

denver.eu
facebook.com/denver.eu

Version 1.1