



Original manual SEL-10360DONAR



facebook.com/denver.eu
March/2023 - Version 1.0

IMPORTANT! Read carefully and keep for future reference.

Before operating this vehicle, read all the instructions for safe assembly and operations. User's manual can guide you through the functions and usage of Electric scooter. Before using this Electric scooter, familiarize yourself with how to operate, so that you can keep the Electric scooter in the best condition possible.

This appliance can be used by children aged from 14 years and above and persons with reduced physical, sensory, or mental capabilities or lack of experience and knowledge if they have been given supervision or instruction concerning use of the appliance in a safe way and understand the hazards involved.

Children shall not play with the appliance.

Cleaning and user maintenance shall not be made by children without supervision. The appliance is only to be used with the power supply unit provided with the appliance. This appliance contains batteries that are not replaceable.



Table of Contents

1. Important information before use	3
2. Product overview.....	5
3. Unfolding and folding the scooter	7
4. Assembling the device	10
5. Charging the scooter.....	12
6. Intended Use.....	13
7. Safety Instruction.....	13
8. Maintenance.....	14
9. Operational control	19
10. Specification.....	22
11. Warnings.....	23
12. Electric scooter safe parking.....	23
13. Safe transportation.....	23
14. Other warnings.....	26

1. Important information before use

We urge owners of this Scooter to charged and store it in a safe way.

For safety reason and protect battery life, never charge the electric scooter in temperatures below 5 °C or above 45 °C. Equally, always disconnect the electric scooter with the power cable once fully charged. Always use the supplied power adaptor to charge the electric scooter.

Make sure that all screws are properly tightened to avoid unsafe situations.

In case you ride in rain or wet conditions then make sure to dry the pedal board with a cloth top and bottom when done riding.



WARNING

- Please make sure to check that the steering system is correctly adjusted and that all connection components are firmly secured and not broken before riding, refer to handlebar assembly and safety instruction.
- Please read operation guide and warnings of correct techniques for use and braking
- Always wear shoes.
- Self-locking nuts and other self- locking fixings may lose their effectiveness over time. Check these with regular intervals.
- All parts and materials of electric scooter must not be changed. Modifications are not allowed.

1.1 Technical modifications

Avoid removal of components or any kind of technical modification to the scooter in order to preserve the vehicle in approved condition. Specifically avoid modification of the following technical systems of the scooter:

- Powertrain system
- Battery system
- Braking system
- Steering system
- Lightning system
- Electrical system
- Wheel equipment

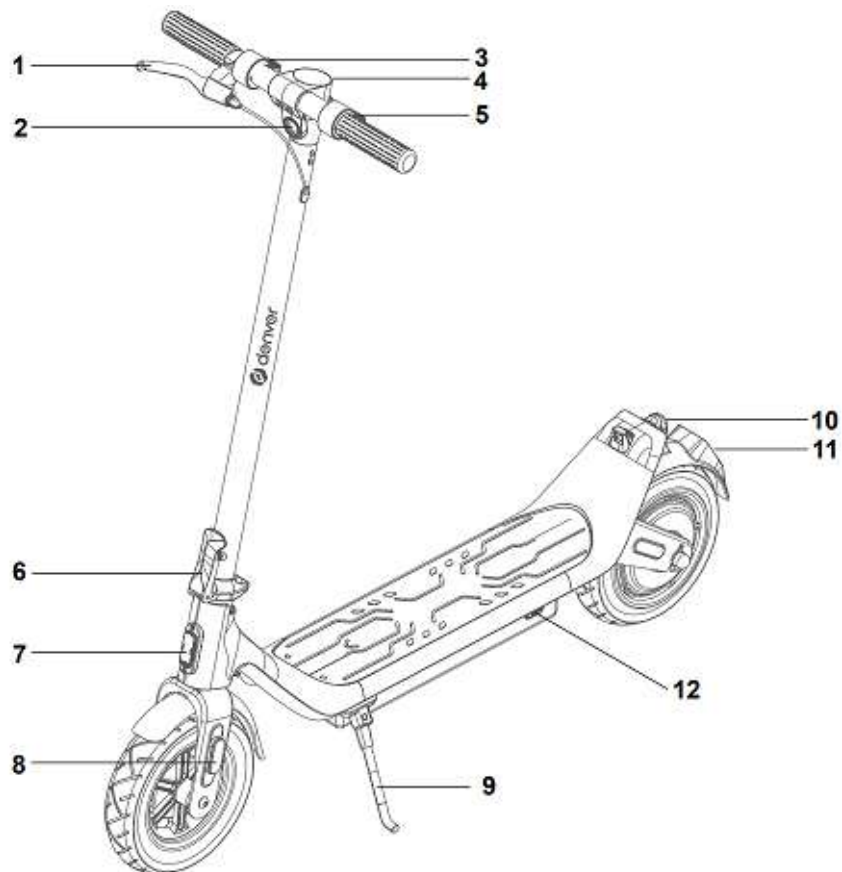
-
- Tyre equipment
 - Anti-slip equipment
 - Frame structure

Always make sure that required maintenance is conducted professionally by certified agents.

1.2 Traffic rules

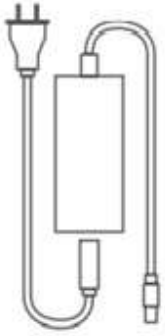
- Do not ride the scooter if you are below 14 years of age.
- Do not ride the scooter with more than 1 person at a time.
- Do not ride the scooter faster than 20 km/h.
- Do not ride the scooter without valid liability insurance.
- Do not ride the scooter under influence of drugs, alcohol, medicine, or the likes.
- Do not ride the scooter when your physical or mental condition is inadequate.
- Always adhere to the applicable traffic rules.
- Always keep yourself informed about changes in traffic rules.
- Always be considerate of weaker road users.
- Always adapt driving speed to traffic conditions. (If necessary, adjust the speed to pedestrian traffic)
- Always adapt driving speed to road conditions.
- Never obstruct or endanger pedestrians.
- Do not ride the scooter on routes reserved exclusively for pedestrians or restricted for bicycles.
- Do not ride the scooter on routes reserved exclusively for cars/vans/trucks/motorcycles/etc. or restricted for bicycles.

2. Product overview



1. Brake lever for drum brake
2. Front light
3. Throttle
4. Display
5. Electric brake
6. Folding mechanism
7. Front reflector
8. Side reflector
9. Foldable stand
10. Rear light/reflector
11. License plate area
12. Charging port

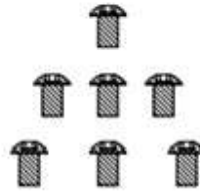
Accessories:



1



2



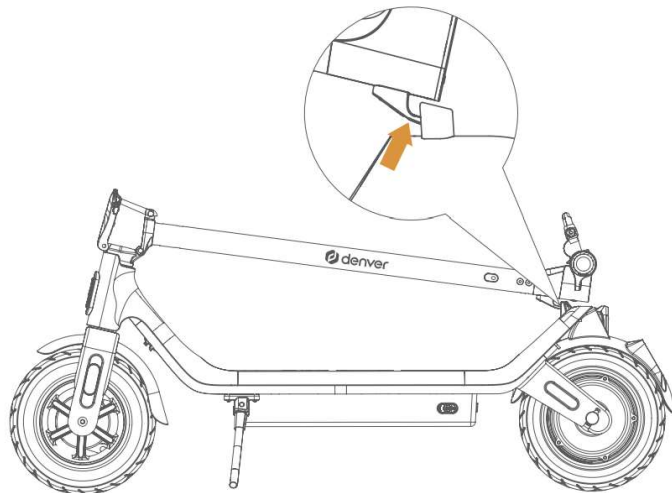
3

1. Power charger: FY0634201500
2. T-shaped Allen key for mounting the screws.
3. Screws for mounting front steer (6 pcs).

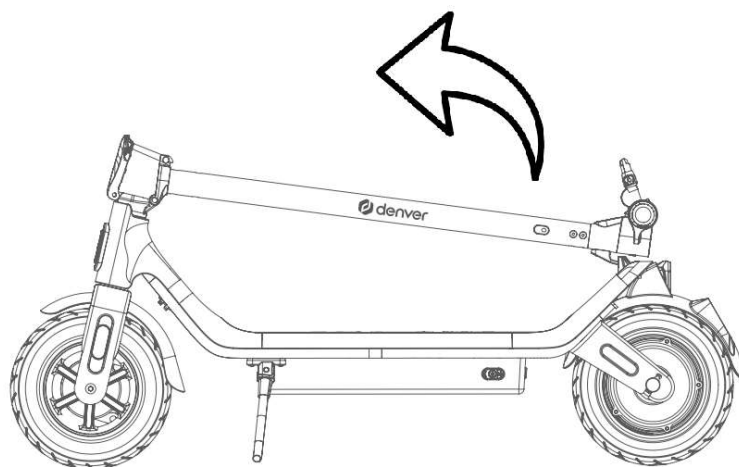
3. Unfolding and folding the scooter

Unfolding

1. Release the front pole from the hook.

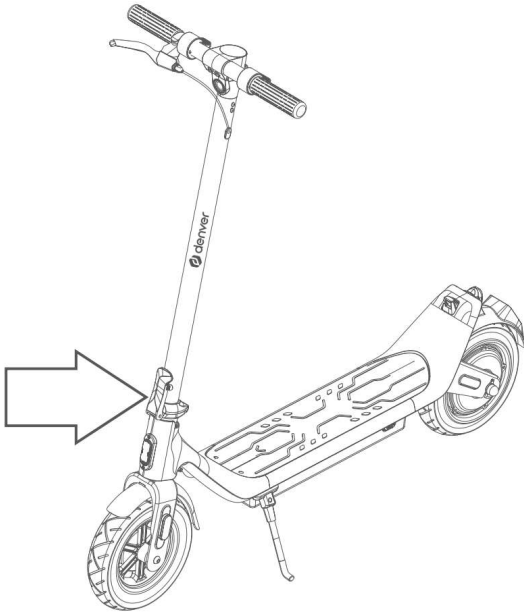


2. Raise the handle slowly.



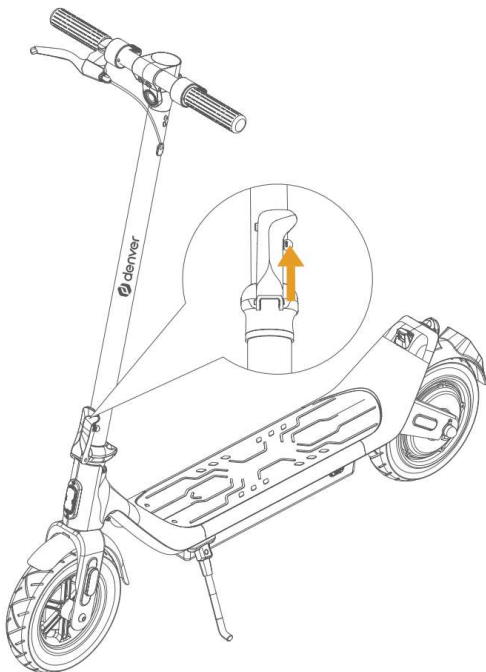
3. Lock the folding mechanism.

Press the folding handle onto the front pole until it is locked. Pull the folding handle to confirm that it is locked.

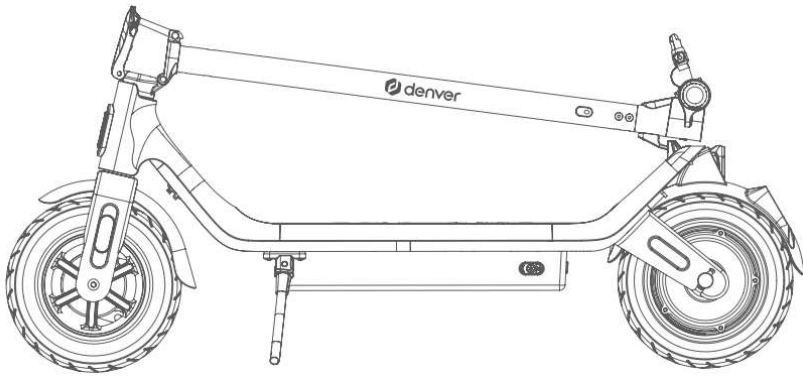


Folding

Press the small ball shaped button as shown below to release the lock.



Pull out the folding handle and now you can lower the front pole.



4. Assembling the device

Mounting the front steer.

1. Connect below cable tightly



2. Lower the cable inside the tube and carefully lower the steet without getting the cable stuck.

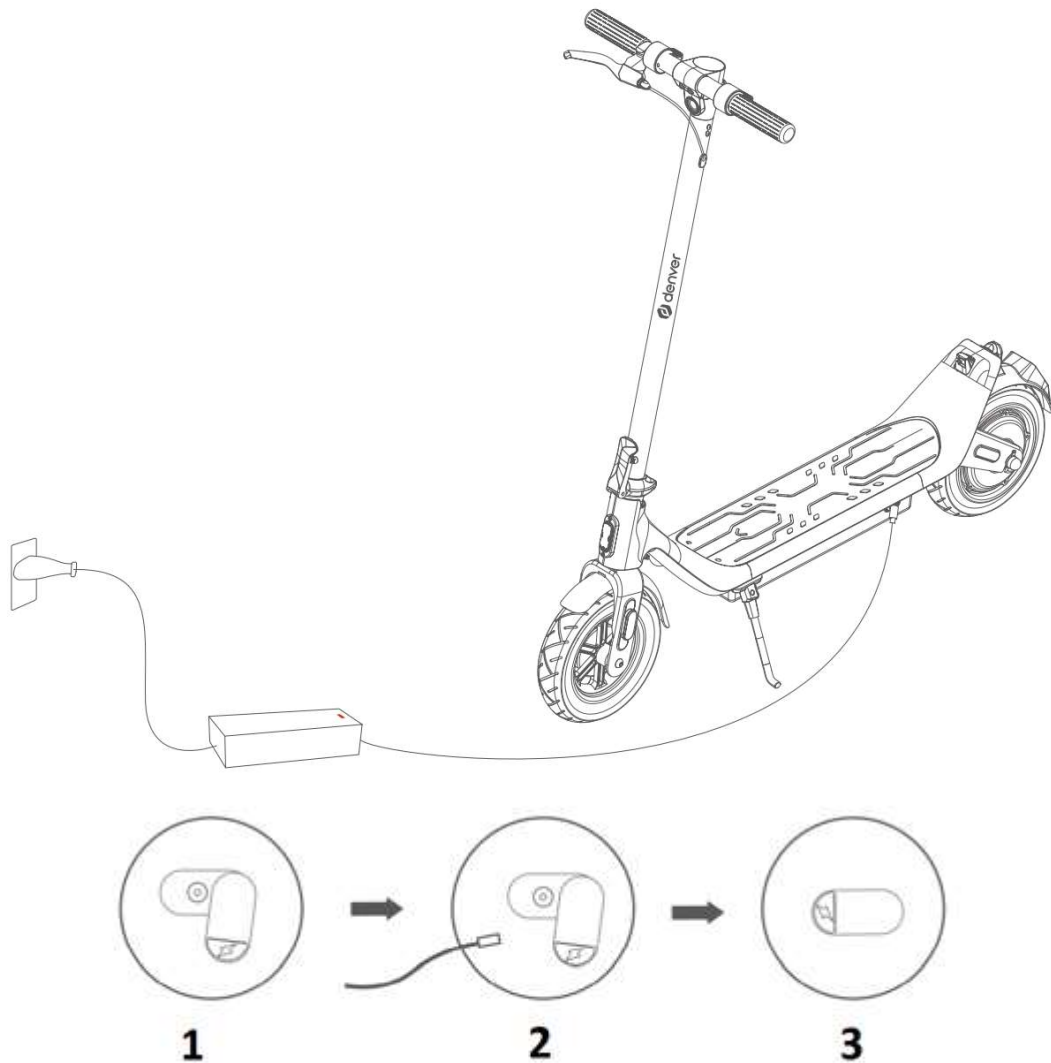


3. Mount the 6 screws with the included allen key. Tighten them well.



5. Charging the scooter

Connect the supplied power adaptor to the charging port of the electric scooter.



1. Open the rubber flap.
2. Plug the power plug adaptor into the charging port.
3. Fasten the rubber flap after charging to avoid dirt or water to enter.

Please make sure only to use the original power adaptor when charging.

6. Intended Use

The Electric scooter is to be used by a person aged at least 14 with a maximum weight of 100 kg. The other parameters for the permissible operation of the Electric scooter are defined in the section (“10. Specification”). Importantly, the Electric scooter may only be operated in good visibility conditions and only if the physical conditions for stability on the Electric scooter are met (for example, not on one leg/not under the influence of drugs or alcohol). When operating the electric scooter, the operator must wear personal protective equipment specified in the section (“13. Warnings > 13.1 Preparation”).

7. Safety Instruction

We recommend always wearing helmet and protective gear like elbow, knee, hand, and wrist protectors to ensure your personal safety.



Also make sure you have read the user manual carefully, to ensure you know how to ride it in a safe and fun way.

It is your responsibility to be aware of and comply with all regulations. If there are no regulations for this Electric scooter in your country, please take care of your own safety and the safety of others.

Also pay attention to other people. Always ride safely and only at a speed that allows you to brake safely at any time. A common thing for such products is that there is a risk that you may fall off the product and injure yourself. Always ride as safely as possible.

If lending the electric scooter to friends and family, please make sure they use proper protective gear and know how to ride it.

Before riding the electric scooter, please check that all parts are working as supposed to. If any loose parts, abnormal noise, reduced battery life etc. are detected, please contact your retailer for product service and warranty. Do not repair the electric scooter yourself.

Inspect the front and rear tire, rear brake, and brake pad according to Section 8 of the maintenance specification in these operating instructions.

Avoid applying too much force, stepping on or lifting scooter in the rear fender. This may cause the fender to loosen or damage the fender. This is not covered by the warranty.

Avoid constant braking. As a result, the tires will not only wear off, but also become hot. This will soften the rubber and it will no longer have the same grip on the road as usual. Do not touch the tire after braking.

If you hear unusual noises or notice friction when switching on the electric scooter, a bearing may be damaged. A worn bearing may even be indicated by strong vibration of the handlebar. In this case, please contact your retailer since the bearing needs to be replaced and/or the handlebar checked and adjusted.

Ride the electric scooter only on a dry surface since otherwise the riding safety and braking performance may be impaired and the motor or bearings may be damaged.

Please do not ride up or down long and steep slopes.

Stop riding when you receive the "Low Battery Warning". The electric scooter does not have the same traction as normal, and the electric brake does not work. In this case, please use the drum brake to stop the electric scooter.

Do not use the electric brake and the throttle at the same time.

A normally working Electric scooter operates safely and quietly. If you hear noises or notice bumpy operation, please check wheels, bearings, and brakes. Contact your customer service for repair and maintenance, if necessary.

8. Maintenance

WARNING

As with any mechanical component, a vehicle is subject to high stresses and wear. The various materials and components may react differently to wear or fatigue. If the expected service life for a component has been exceeded, it may break suddenly, therefore risk causing injuries to the user. Cracks, scratches, and discoloration in the areas subject to high stresses indicate that the component has exceeded its service life and should be replaced.

To ensure you get the best and safest possible performance and experience from your electric scooter, it is important to do regular maintenance for important parts of the product.

- Battery maintenance
- Bearings, Screws, Brakes and Wheels
- Storage and Cleaning

Battery maintenance

All batteries have a life cycle, and performance will decrease over time, however, here are some advice to maximize the life span of the battery.

Make sure that the battery is charged at regular intervals, even if you do not use the electric scooter for a long time. This is to prevent damage to the battery, caused by low voltage over an extended period.

Avoid draining the battery completely. It is best to charge while there is still power on it. This will extend battery life. If the battery is constantly depleted, it will damage the battery (damaged battery caused by wrong handling are not covered by the warranty).

If riding the electric scooter in cold or very hot areas, the battery time can be lower than when riding in temperatures from 15-25° Celsius. This is not a failure on the batteries, but normal behavior.

Please notice: Even a fully charged battery will run out of power if the electric scooter is not used for a period. Expect a fully charged battery to keep power between 90 and 120 days in off mode, before it is fully discharged. If only partially charged, this period is lower.

Please make sure the battery does not get above 50° Celsius, or below minus 10° Celsius for a longer period. (e.g., don't leave the electric scooter in a hot car in summer, do not put battery into fire etc.) Low temperature (e.g., subzero temperature) can damage the battery cells.

Keep the Electric scooter away from open flame or other sources of heat to prevent the battery from getting too hot. Also make sure not to leave the electric scooter at freezing temperatures. Both heat and excessive cold can cause the battery to discharge.

Only use original charger or an official replacement, as different batteries may require specific charger, and if using other chargers, this could cause damage to the product.

Do not overcharge and discharge the battery.

It is forbidden to disassemble battery package. This is only to be handled by official service repair centers and professionals.

Bearings, Screws, Brakes and Wheels

Your electric scooter is made up of moving parts similar like a bicycle, which in time, will be susceptible to wear and tear.

Bearings and screws:

The electric scooter has sealed and dustproof bearings so that no lubrication is required. Check the bearings for wear at regular intervals to avoid unsafe riding. Do not jump on and off and do not apply excessive force otherwise to avoid damage to the bearings. This is not a sports electric scooter.

Make sure that all nuts and screws are properly tightened to avoid unsafe situations and check regularly if they seem loose.

Tightening the screws according to below recommended Nm values:

Front wheel – 15Nm



Rear Wheel – 30Nm



Folding mechanism – 15Nm



Front pole – $\geq 4\text{Nm}$



Brakes:

Check the brake for wear at regular intervals to avoid unsafe riding. Do not apply excessive force to avoid damage to the brake.

Avoid using electric scooter when brakes are worn down, as this is unsafe and will also damage the brake.

Wheels:

Check the wheels for wear at regular intervals to avoid unsafe riding.

For vacuum inflatable tires, please make sure to keep the right pressure 3.8 Bar, as hard tires will last longer.

If the wheel seems wobbly even after screws are tightened, the bearings might be worn down and need replacement.

Storage and cleaning:

If your Electric scooter gets dirty, please clean it with a damp cloth only, you may not use pressured water-gun or running water, as this could damage vital parts. It is also possible to use a little toothpaste if the dirt is stuck. Remember to clean with damp cloth after this.

Please make sure to keep the electric scooter turned off while cleaning it, and make sure to cover the charging input to avoid problems with the electronics.

Make sure to dry the scooter with a towel, should it become wet.

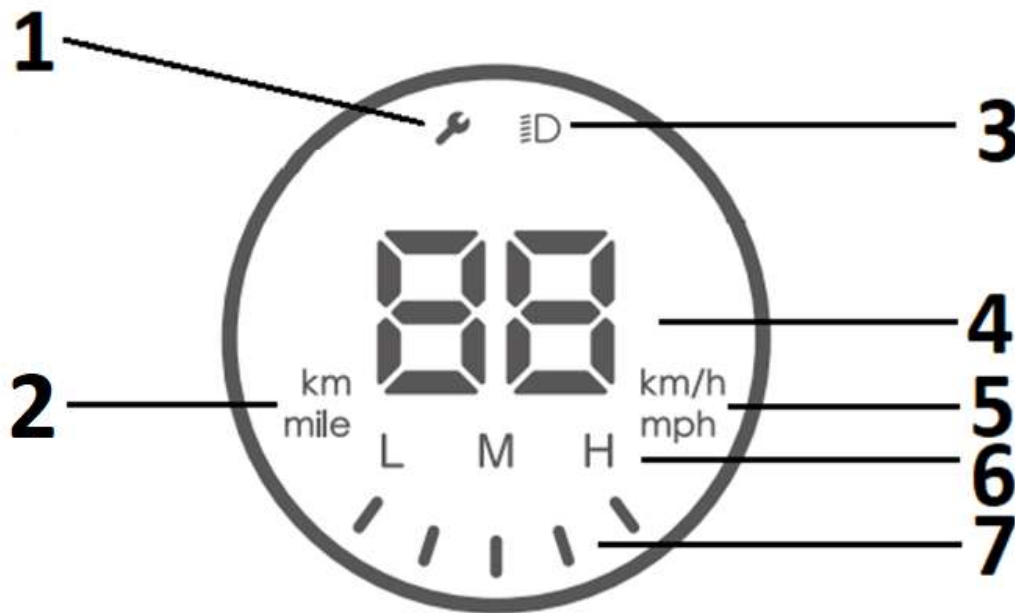
Please notice: Do not use alcohol, gas, kerosene or other corrosive and volatile chemical solvents. This can damage both the appearance and the internal structure of the electric scooter.

Please store your Electric scooter in a dry and cool environment when not in use. Avoid leaving it outdoors, as it is not made for storing in wet areas. Nor is it good to expose to high temperatures caused by direct sun for a long time.

9. Operational control

For better operation, please read the instructions carefully.

9.1 Control and display



1. Service mode / error condition. Scooter failure. Please contact support.
2. Distance km/mile. Show when turning scooter on.
3. Lights front and back on symbol.
4. Speedometer
5. Km/h or mph
6. Gear mode
7. Battery level

9.2 Button and speed transfer

Power on / Power off

Press and hold power button for few seconds and display turn on.



Quick press two times to change gear.

L = First gear 6 Km/h.

M = Second gear 15 km/h

H = Third gear 20 km/h

Quick press three times to change between km/h and mph on display.

9.3 Brakes

The scooter is built with 2 separate brakes.



1. Electronic brake
2. Drum brake

Breaking techniques:

If needing to brake, then we recommend doing it this way. First release the throttle and then press the electronic brake. If harder braking is needed, then use the drum brake.

WARNING

The braking distances will be extended during wet weather.

10. Specification

Parameter		Range
Size	Folding size(mm)	1145*474*530mm
	Unfolded Size(mm)	1145*474*1215mm
Quality	Max Vehicle Payload (kg)	100
	Weight (kg)	17
Ride Condition	Age(Year)	14+
Electric scooter	Max. speed (horizontal riding) (km/h)	20
	Distance up to (km)	30
	Terrain	Level and dry surface
Battery Type: Li-ion battery	Nominal voltage (V)	36.5V
	Input voltage (V)	42V
	Battery capacity (mAH)	7800
Motor	Motor Power (W)	350
	Emission sound pressure level (DB)	Emissions < 70 db(A).
Power adaptor	Rated input voltage (V)	100-240
	Rated output voltage (v)	42V
	Rated current (A)	1.5A
	Charging Time(h)	5.5

Electric scooter

Model: SEL-10360DONAR

Input: 100V-240V~, 50/60Hz, 1.8A(Max)

Output: 42V  1.5A  

Max Speed: 20 km/h

Weight: 17kg

Year Of manufacture: 2023

Max Vehicle Payload: 100kg

Battery: 36.5V/7.8Ah

Power Consumption: ≤ 350W

Always charge the electric scooter with the supplied power adaptor: FY0634201500

Denver Electronics International A/S

Omega 5A Soefte DK-8382 Hinnerup, Denmark

www.denver.eu

11. Warnings

Risks of riding



First, learn safe riding before you ride the Electric scooter fast.

- Failure to observe, loss of control, falls, and violations of the rules can cause injuries.
- Wear a helmet and protective clothing when riding the Electric scooter.
- Read the operating instructions carefully before riding the Electric scooter.
- For use only in a dry environment.
- The Electric scooter may not be used on public roads unless local regulations approve this.
- Make sure that this product complies with local regulations.

12. Electric scooter safe parking

Once you have stopped the Electric scooter, get off it and press the side stand down with your right foot to support the Electric scooter. The side stand is located on the left-hand side of the Electric scooter below the foot board. Before you ride again, push the side stand back up so that it is parallel to the foot board.

13. Safe transportation

13.1 Preparation

- First, charge the battery completely.
- Wear a helmet, knee and elbow pads.
- Do not wear loose clothing or open laces that can get caught in the Electric scooter wheels.

13.2 Weight restriction

Reason for the weight restriction:

- Ensuring the rider's safety

-
- Avoiding damage due to overload.

Maximum Vehicle Payload : 100kg.

 WARNING

Do not try to make a turn too fast.

 WARNING

Lithium battery inside.

 WARNING

If the Electric scooter switches off, the system will block the vehicle automatically.

It can be released again by pressing On/Off.

- Use the device only at temperatures between -10 °C and +45 °C.

13.3 Range per charge

The range depends on several factors:

- Topography: On level paths you have a greater range than on uneven ground.
- Weight: The range depends on the rider's weight.
- Temperature: Extreme temperatures reduce the range.
- Maintenance: If the Electric scooter is charged properly and the battery is kept in good condition, the range will be extended.
- Speed and riding style: The range is greater at constant speed than at frequent stops and starts, acceleration and braking.

13.4 Safe riding

This chapter focuses on safety, experience, and warnings. Before operating the vehicle, please read all installation and operating instructions carefully.

 WARNING

Familiarize yourself with the vehicle before you use it so that you can keep the Electric scooter in sound condition.

- Observe all safety instructions when riding the Electric scooter.
- The Electric scooter is designed only for personal entertainment. Avoid operating it on public roads/in road traffic.

-
- Children below 14 years, elderly people, and pregnant women are not allowed to ride the vehicle.
 - People with limited sense of balance are not allowed to ride the Electric scooter.
 - Avoid riding the Electric scooter under the influence of alcohol or other substances.
 - Do not carry any objects while riding.
 - Make sure you have a clear vision in front of you to ride the Electric scooter safely.
 - While riding, your feet must always be on the foot board.
 - The Electric scooter can accommodate only one person.
 - Do not start or stop abruptly.
 - Avoid riding on steep slopes.
 - Do not ride in dimly lit or dark places.
 - Ride the Electric scooter at your own risk, we assume no liability for accidents or damage.
 - Ride at a safe speed that allows you to stop at any time.
 - Keep the Electric scooter at a sufficient distance from other people and avoid collisions.
 - Steer through balance shifting, fast movement can result in falls.
 - Do not ride in rain or under other wet conditions. Scooter is splash proof. But not waterproof.
 - Avoid riding over obstacles, if possible, and avoid snow, ice, and slippery surfaces.
 - Avoid riding over textiles, small branches, and stones, if possible.
 - Avoid riding in narrow places or in places with obstacles, if possible.
 - Jumping on and off the Electric scooter will cause damage that is not covered by the warranty. There is a risk of injury. Injuries and damage due to "trick riding" are not covered by the warranty.
 - Stand on the pedal with one foot, push the other foot back on the ground and start sliding. The motor can only start after the vehicle speed reaches 3km/h.

13.5 Charging

- Make sure that the Electric scooter, charger, and DC power input of the device are always dry.
- Note: To charge this Electric scooter, use SOLELY the supplied FY0634201500 charger with the following output: 42 V - 1.5A.

-
- Using a different charger may cause damage to the device and other potential risks.
 - Use the mains adapter to plug the DC input of the device into a conventional socket.
 - There will green light on the charger before charging, when connected to scooter the adapter will light red, and charging has started.
 - The green indicator lights up when properly charged. Now you can stop the charging the battery and unplug the power cable.
 - The charging process takes up to 5.5 hours. Do not charge the battery for more than 5.5 hours. After 5.5 hours, disconnect the charger from the device and the power supply. The product must not be charged over extended periods. Overcharge reduces the battery service life.
 - Always keep an eye on the device throughout the charging cycle.
 - Charge the device only at temperatures between 0 °C and +45 °C. When charging at lower or higher temperatures, there is a risk that the battery performance will be reduced. Therefore, there is a potential risk of injuries and material damage.
 - Store and charge the device in an open, dry area away from combustible materials.
 - Do not charge the device in direct sunlight or in the vicinity of open flames.
 - Do not charge the device immediately after use. Allow the device to cool down for an hour before charging it.
 - The device is generally partially charged as shipped from the factory. Keep the device partially charged until it is used.
 - Do not leave the device exposed to sunlight in a car.

CAUTION

The Electric scooter must not be used during the charging cycle!

CAUTION

- Do not insert foreign objects into the charging port input.

CAUTION

- Remove the cap only when charging the Electric scooter!
- After charging, disconnect the charging plug and close the DC input again with the cap!

14. Other warnings

WARNING

Make sure that neither water nor other liquids penetrate the inner components of the Electric scooter; otherwise, the electronics/batteries of the device could be permanently damaged. There is a risk of injury.

CAUTION

- Do not open the electric scooter casing, otherwise the warranty is void.

WARNING

- Make sure to wear helmet and protective clothing before using the Electric scooter.
- Make sure to read manual carefully before using the Electric scooter.
- The Electric scooter must only be used on dry and level ground.
- The Electric scooter may not be used by anyone under the age of 14 years.

IMPORTANT! Read carefully and keep for future reference.

Any load attached to the handlebar will affect the stability of the vehicle.

Accessories and any additional items which are not approved by the manufacturer shall not be used.

WARNING

As with any mechanical component, a vehicle is subject to high stresses and wear. The various materials and components may react differently to wear or fatigue. If the expected service life for a component has been exceeded, it may break suddenly, therefore risking causing injuries to the user. Cracks, scratches, and discoloration in the areas subject to high stresses indicate that the component has exceeded its service life and should be replaced.

Traffic in the city has many obstacles to cross such as curbs or steps. It is recommended to avoid obstacle jumps. It is important to anticipate and adapt your trajectory and speed to those of a pedestrian before crossing these obstacles. It is also recommended to get out of the vehicle when these obstacles become dangerous due to their shape, height, or slippage.

WARNING

Keep plastic bags and covering away from children to avoid suffocation.

Take the time to learn the basics of the practice to avoid any serious accident that can take place in the first months.

-
- In any case, anticipate your trajectory and your speed while respecting the code of the road, the code of the sidewalk and the most vulnerable.
 - Notify your presence when approaching a pedestrian or cyclist when you are not seen or heard.
 - Cross the protected passages while walking.
 - In all cases, take care of yourself and others.
 - Do not divert the use of the vehicle.
 - This vehicle is not intended for acrobatic use.
 - Power-off the vehicle during charging.
 - Self-tightening nuts as well as the other self-tightening fastenings may lose their efficiency and that they may need to be retightened.
 - According to French traffic rules, reflective clothing and helmet is strongly required during cycling.

Please notice - All products are subject to change without any notice. We take reservations for errors and omissions in the manual.

ALL RIGHTS RESERVED, COPYRIGHT DENVER ELECTRONICS INTERNATIONAL A/S



Electric and electronic equipment and included batteries contains materials, components and substances that can be hazardous to your health and the environment, if the waste material (discarded electric and electronic equipment and batteries) is not handled correctly.

Electric and electronic equipment and batteries is marked with the crossed-out trash can symbol, seen below. This symbol signifies that electric and electronic equipment and batteries should not be disposed of with other household waste but should be disposed of separately.

As the end user it is important that you submit your used batteries to the appropriate and designated facility. In this manner you make sure that the batteries are recycled in accordance with legislature and will not harm the environment.

All cities have established collection points, where electric and electronic equipment and batteries can either be submitted free of charge at recycling stations and other collection sites or be collected from the households. Additional information is available at the technical department of your city.

Denver Electronics International A/S

Omega 5A, Soeften

DK-8382 Hinnerup Denmark

facebook.com/denver.eu

Regarding Battery charging SEL-10360DONAR

Important – Please read!

Dear customer. We hope you get a lot of joy out of your new Electric scooter.

The battery built in the Electric scooter is not fully charged from production line and when left unused the battery can slowly discharge by itself.

This can lead to slow charge if the battery is fully discharged, but this is done to avoid damage to the battery.

If you experience that you cannot turn on your E-scooter, and it doesn't seem to charge (the charger lights up green instantly), then please do the following.

1. Leave the charger in for 6-7 hours. This will make sure the battery will be fully charged again (it can take 3-4 hours before it starts normal charging).
2. If this does not solve your problem, please ride the Electric scooter manually without turning it on. Use your legs to give speed, for around 100 m, and then connect the charger. The engine in the rear wheel will this way help to activate the charging function and it will charge normally. (Full charge takes 5.5 hours if using this way)

Please enter: www.denver.eu to obtain the electronic version of the manual.

WARNINGS

Please read the manual completely and the instructions below before using the product.

Product names: **SEL-10360DONAR**

Product type: Electric scooter

Year of manufacturing: 2023



- Note: ONLY use the supplied charger labelled FY0634201500 with the following output voltage to charge this Electric scooter: 42V – 1.5A.
- Using another charger may damage the product or create other potential risks.
- Never charge the product without supervision.
- The charging period of the product should not exceed 5.5 hours. Stop charging after 5.5 hours.
- The product should only be charged in temperatures between 0°C and 45°C.
- If charging at lower or higher temperatures, there is a risk that the performance of the battery will be reduced and cause a potential risk of damage to the product and personal injury.
- The product should only be used in temperatures between -10°C and +45°C.
- If used at lower or higher temperatures, there is a risk that the performance of the battery will be reduced and cause a potential risk of damage to the product and personal injury.
- Store the product at temperatures between 0°C and 35°C. (optimum storage temperature is 25°C)
- Charge and store the product in an open, dry area and away from flammable materials (i.e., materials that may burst into flames).
- Do not charge in sunlight or near open fire.
- Do not charge the product immediately after use. Let the product cool down for one hour before charging.
- When shipped from the factory, the product has often been partially charged. Keep the product in a partially charged state, until it is going to be used.

Denver Electronics International A/S

Omega 5A, Soeften, DK-8382 Hinnerup, Denmark

www.denver.eu

Denver Electronics International A/S



EC Declaration of Conformity (Machinery Directive)

The undersigned

Company Name: Denver Electronics International A/S

Address: Omega 5A, Soeften, DK-8382 Hinnerup, Denmark

certify that the design and manufacturing of this product

Product Brand Name: DENVER

Product Model No.: SEL-10360DONAR

Product type: Electric scooter

conforms to the following directives:

Machinery directive 2006/42/EC

MD Standards: Annex I of 2006/42/EC,
EN ISO 12100:2010,
EN 17128:2020

and therefore complies with the essential requirements of the Machine Directive.

MD 2006/42/EC

Name and address of the person authorized to sign the declaration and collect the technical documentation

Serial no.: 1120-04/23/00001 to 1124-04/23/02440

Full Name: Torben Balmer

Position: CEO

Company: DENVER A/S

Address: Omega 5A, Soeften, DK-8382 Hinnerup, Denmark

Date: 14 April 2023

Denver Electronics International A/S | Omega 5A | 8382 Hinnerup | Denmark
Phone: +45 86 22 61 00 | E-Mail: contact@denver.eu | Web: www.denver.eu