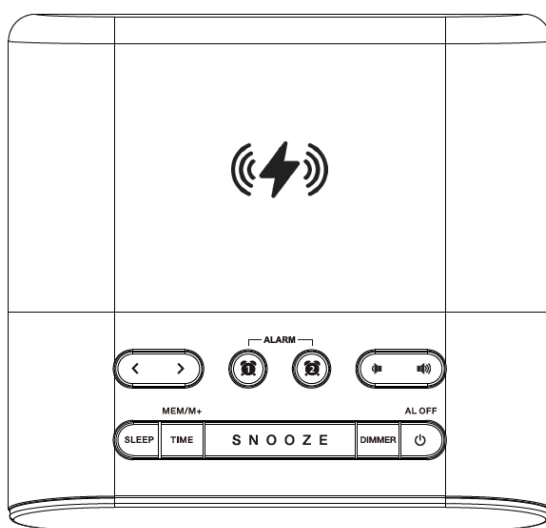




CRQ-107

INSTRUCTION MANUAL



denver.eu
facebook.com/denver.eu
08/23



FR

Cet appareil et
ses cordons sont
recyclables

À DÉPOSER
EN MAGASIN



À DÉPOSER
EN DÉCHÈTERIE

OU

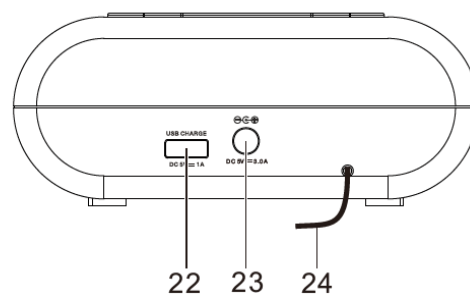
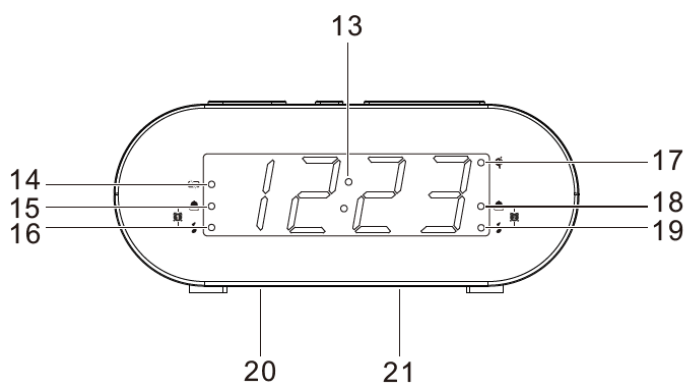
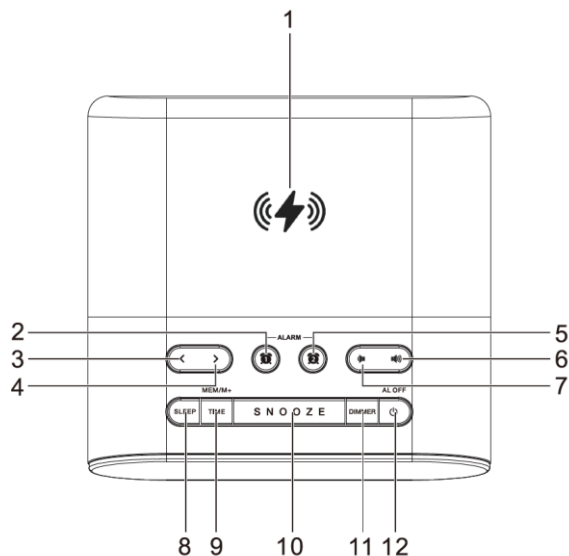


Points de collecte sur www.quefairedemesdechets.fr
Privilégiez la réparation ou le don de votre appareil !

Safety information

Please read the safety instructions carefully before using the product for the first time and keep the instructions for future reference.

1. This product is not a toy. Keep it out of reach of children.
2. Keep product out of the reach of children and pets to avoid chewing and swallowing.
3. Remove the batteries when you are not using the system for a longer period of time. Check the polarity (+/-) of the batteries when inserting them in the product. Wrong positioning can cause an explosion. Batteries are not included.
4. Product operating and storage temperature is from 0 degree Celsius to 40 degree Celsius. Under and over this temperature might affect the function.
5. Never open the product. Touching the inside electric parts can cause electric shock. Repairs or service should only be performed by qualified personnel.
6. Do not expose to heat, water, moisture, direct sunlight!
7. Please protect your ears against loud volume. Loud volume can damage your ears and risk in hearing loss.
8. The unit is not waterproof. If water or foreign objects enter the unit, it may result in fire or electric shock. If water or a foreign object enters the unit, stop use immediately.
9. The direct power cable is used as disconnect device, the disconnect device shall remain readily operable. So, make sure there is space around the power outlet for easy access.
10. Do not use non original accessories together with the product as this can make the product functionality abnormal.



1. Wireless charging pad
2. ALARM 1 button
3. BACKWARD button
4. FORWARD button
5. ALARM 2 button
6. VOL UP button
7. VOL DOWN button
8. SLEEP button
9. TIME / MEM/M+ button
10. SNOOZE button
11. DIMMER button
12. POWER button / ALARM OFF button
13. Display
14. Battery LOW (Low Back-up Battery Warning Indicator)
15. Alarm 1 indicator (alarm)
16. Alarm 1 indicator (radio)
17. Wireless charging indicator
18. Alarm 2 indicator (alarm)
19. Alarm 2 indicator (radio)
20. Battery compartment
21. Speaker
22. USB charging port
23. DC IN jack
24. Antenna

Setting the clock

In standby mode, press and hold the TIME button to enter the clock setting mode.

- Setting the time: Press the BACKWARD button to set the hour time and FORWARD button to set the minute time.
- Press the TIME button to confirm each setting option.

Setting the radio

1. Press the POWER button to switch the radio on.
2. Press the BACKWARD or FORWARD button to adjust frequency.
3. Press and hold the BACKWARD or FORWARD button to automatically tune to the next available FM station.
4. Press the POWER button to switch the radio off.

** Unroll and extend the antenna to improve FM signal reception.

Setting preset radio stations

You can store up to 10 preset stations.

1. Tune to a station.
2. Press and hold the MEM/M+ button until "P01" (or the next available preset slot) shows on the display.
3. Press the BACKWARD or FORWARD button to select a preset number (P01-P10).
4. Press the SET button to confirm. The preset station has been set up.
5. Press the MEM/M+ button repeatedly while listening to the radio to select a preset station. Alternatively, press the MEM/M+ button once and then press the BACKWARD or FORWARD button to select a preset station.

Using the alarms

Setting alarms

The radio have 2 alarm settings. To set the alarms:

1. In standby mode, press and hold the ALARM 1 or ALARM 2 button to enter the alarm time setting mode.
2. In the alarm setting mode, press the ALARM 1 or ALARM 2 repeatedly to cycle through the setting options:

Alarm time > Alarm sound source

- **Setting alarm time:** Press the BACKWARD to set the hour time and FORWARD button to set the minute time.
- **Setting alarm sound source:** Press the BACKWARD or FORWARD button to select the alarm or radio as the alarm sound source. The corresponding alarm indicator will turn on according to your selection.

Once the alarm setting is done, the alarm will be automatically activated with the corresponding alarm indicator (alarm or radio) switched on.

Turning the alarms on or off

When the clock time is displayed, press the ALARM 1 or ALARM 2 button to enable or disable the respective alarm. The corresponding Alarm 1 or Alarm 2 indicator (alarm or radio) will switch on when the alarm is enabled.

Deactivating a sounding alarm

- Press ALARM OFF button to switch off a sounding alarm.
- When the alarm rings, the corresponding Alarm 1 or Alarm 2 indicator (alarm or radio) flashes on the display.

Setting Snooze mode

- To temporarily silence a sounding alarm, press the SNOOZE button. The alarm will sound again when the snooze period (9 minutes) is over.
- The corresponding Alarm 1 or Alarm 2 indicator (alarm or radio) flashes on the display during the snooze period.
- To cancel the snooze period and the alarm, press ALARM OFF button.

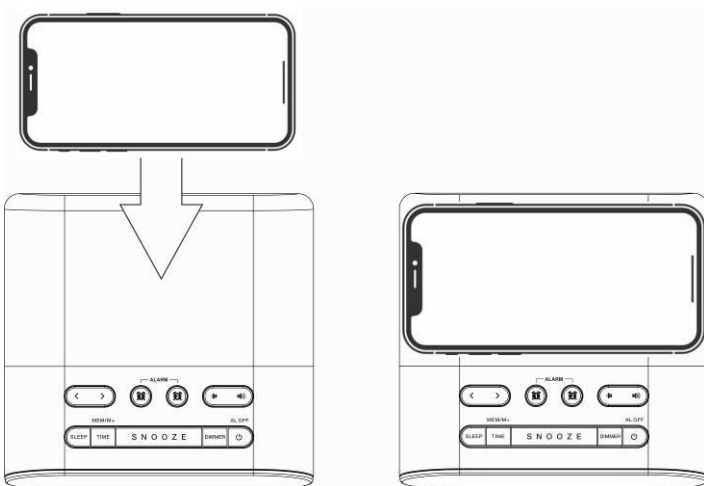
Setting Sleep mode

- This sleep function defines the duration time before the radio switches off automatically.
- When the radio is switched on, press the SLEEP button repeatedly to select a sleep period (Options: 90, 80, 70, 60, 50, 40, 30, 20, 10 and Off minutes).
- The radio will automatically switch off when the sleep period is over.
- Press the SLEEP button to check the remaining time before the radio switches off.
- Press the POWER button to cancel this function.

Using Qi wireless charging

IT IS SUGGESTED TO CHARGE YOUR PHONE WITH A WIRED CABLE INSTEAD OF A WIRELESS CHARGER DURING PHONE SOFTWARE UPDATE.
OTHERWISE, CHARGE YOUR PHONE FULLY BEFORE THE PHONE SOFTWARE UPDATE.

Place your Qi enabled smartphone on the center of the Wireless charging pad.
For best connectivity, align your phone with the alarm clock.



Wireless charging indicator

Wireless Charging Indicator light is displayed on the right upper corner of the product display. Refer to the Light status indicators below:

1. Off: Stand-by Mode
2. Solid Blue: Charging
3. Blinking Red: Abnormal

*If the charging indicator blinks red:

- Check if your device supports Qi wireless charging
- Place mobile device in the center of the Wireless charging pad
- Remove any protective cases containing magnets, metal, or materials thicker than 0.12" (3 mm)

Built-in USB charger for charging external device

Connect an external device (e.g. smartphone, MP3 player) via a USB cable (not provided) to the USB jack on the back of the radio for charging. The radio cannot access the contents in the connected external device.

Resetting the device

If the system does not respond or exhibits erratic or intermittent operation, you may have experienced an electrostatic discharge (ESD) or a power surge that triggered the internal microcontroller to shut down automatically. If this occurs, disconnect the AC POWER CORD from the wall and remove the backup battery from the compartment. Wait at least 3 minutes, and reinsert the battery for the back-up, and then reattach the AC Cord to the wall. The unit is now reset, and you will need to set up the unit time and alarms again.

Specifications

Tuner Range	FM: 87.5 – 108 MHz
Number of preset radio station	10
Amplifier Rated Output Power	700 mW (RMS)
Wireless charger working frequency	110 kHz-205 kHz
Wireless charger output power	5 W
Adaptor Manufacturer's name	SHENZHENGUANGKAIYUAN TECHNOLOGY LIMITED
Address: 2/F, 41 Tiansheng road, tianliao village, Gongming st., guangming, shenzhen, China	
Commercial registration number	91440300053998927W
Adaptor model identifier	GKYZB0300050 EU
Input voltage	AC 100-240 V
Input AC frequency	50/60 Hz 0.5 A
Output voltage	5.0 V
Output current	3.0 A
Output power	15.0 W
Average active efficiency	83.61%
Efficiency at low load (10%)	78.68%
No-load power consumption	0.06 W

Please notice - All products are subject to change without any notice. We take reservations for errors and omissions in the manual.

ALL RIGHTS RESERVED, COPYRIGHT DENVER A/S



Electric and electronic equipment contains materials, components and substances that can be hazardous to your health and the environment, if the waste material (discarded electric and electronic equipment) is not handled correctly.

Electric and electronic equipment is marked with the crossed out trash can symbol, seen above. This symbol signifies that electric and electronic equipment should not be disposed of with other household waste, but should be disposed of separately.

All cities have established collection points, where electric and electronic equipment can either be submitted free of charge at recycling stations and other collection sites, or be collected from the households. Additional information is available at the technical department of your city.

Hereby, Denver A/S declares that the radio equipment type CRQ-107 is in compliance with Directive 2014/53/EU. The full text of the EU declaration of conformity is available at the following internet address: denver.eu and then click the search ICON on topline of website. Write model number: CRQ-107. Now enter product page, and red directive is found under downloads/other downloads.

Operating Frequency Range: FM: 87.5 – 108 MHz
Max Output Power: 700 mW (RMS)

DENVER A/S
Omega 5A, Soeften
DK-8382 Hinnerup
Denmark
facebook.com/denver.eu

Nordics

Headquarter

Denver A/S
Omega 5A, Soeften
DK-8382 Hinnerup
Denmark

Phone: **+45 86 22 61 00**
(Push "1" for support)

E-Mail

For technical questions, please write to:
support.hq@denver.eu

For all other questions please write to:
contact.hq@denver.eu

Benelux

DENVER BENELUX B.V.

Barwoutswaarder 13C+D
3449 HE Woerden
The Netherlands

Phone: **0900-3437623**

E-Mail: **support.nl@denver.eu**

Spain/Portugal

DENVER SPAIN S.A.

Ronda Augustes y Louis Lumiere, nº 23 - nave 16
Parque Tecnológico
46980 PATERNA
Valencia (Spain)

Spain

Phone: **+34 960 046 883**

Mail: **support.es@denver.eu**

Portugal

Phone: **+35 1255 240 294**

E-Mail: **denver.service@satfiel.com**

Germany

Denver Germany GmbH Service

Max-Emanuel-Str.4
94036 Passau

Phone: **+49 851 379 369 40**

E-Mail

support.de@denver.eu

Fairfixx GmbH

Repair and service
Rudolf-Diesel-Str. 3 TOR 2
53859 Niederkassel

(for TV, E-Mobility/Hoverboards/Balanceboards,
Smartphone & Tablets)

Tel.: **+49 851 379 363 69**

Email: **denver@fairfixx.de**

Austria

Lurf Premium Service GmbH

Deutschstrasse 1
1230 Wien

Phone: **+43 1 904 3085**

E-Mail: **denver@lurfservice.at**

If your country is not listed above,
please write an email to
support@denver.eu



DENVER A/S
Omega 5A, Soeften
DK-8382 Hinnerup
Denmark

denver.eu
facebook.com/denver.eu

