

IR-122

denver.eu

05/2023

FR
Cet appareil, ses
cordons, ses accessoires
et ses batteries sont
recyclables

À DÉPOSER
EN MAGASIN

OU

À DÉPOSER
EN DÉCHÈTERIE

Points de collecte sur www.quefairedemesdechets.fr
Privilégiez la réparation ou le don de votre appareil !

Safety information

Please read the safety instructions carefully before using the product for the first time and keep the instructions for future reference.

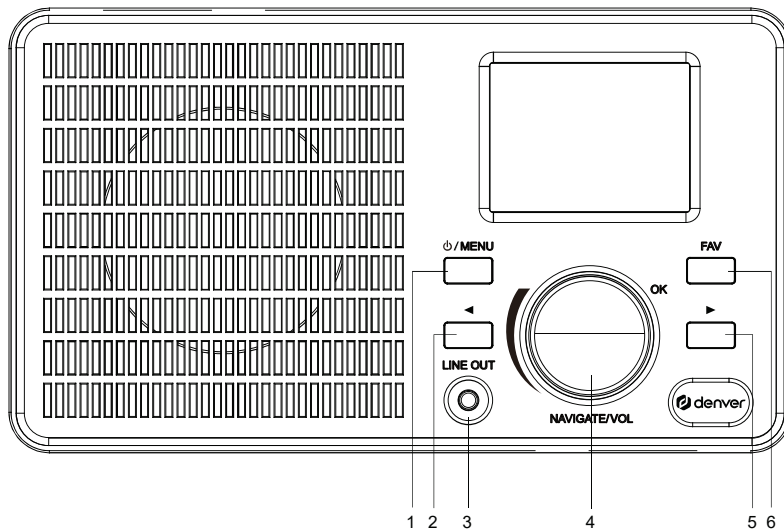
1. This product is not a toy. Keep it out of reach of children.
2. Keep product out of the reach of children and pets to avoid chewing and swallowing.
3. Product operating and storage temperature is from 0 degree Celsius to 40 degree Celsius. Under and over this temperature might affect the function.
4. Never open the product. Touching the inside electrics can cause electric shock. Repairs or service should only be performed by qualified personnel.
5. Do not expose to heat, water, moisture, direct sunlight!
6. Please protect your ears against loud volume. Loud volume can damage your ears and risk in hearing loss.
7. Bluetooth wireless technology operates within a range of about 10 m (30 feet). The maximum communication distance may vary depending on the presence of obstacles (people, metal objects, walls, etc.) or the electromagnetic environment.
8. Microwaves emitting from a Bluetooth device may affect the operation of electronic medical devices.
9. The unit is not waterproof. If water or foreign objects enter the unit, it may result in fire or electric shock. If water or a foreign object enters the unit, stop use immediately.
10. The direct plug-in adapter is used as disconnect device, the disconnect device shall remain readily operable. So, make sure there is space around the power outlet for easy access.
11. Do not use non original accessories together with the product as this can make the product functionality abnormal.

Denver A/S reserve the rights for print errors

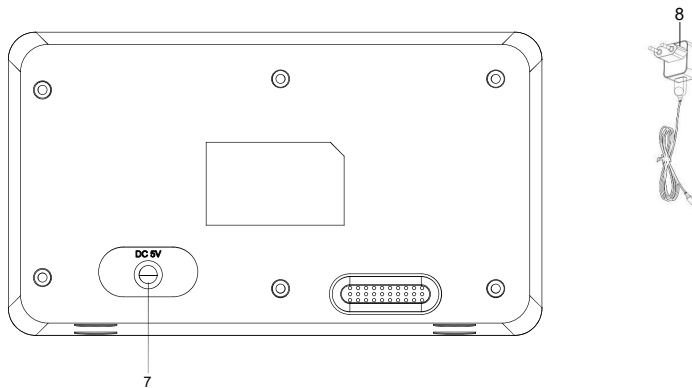
Denver A/S cannot be held responsible for any technical or typographical errors and reserves the right to make changes to the product and manuals without prior notice. If you detect any inaccuracies or omissions, please inform us at the address on the back cover.

PRODUCT OVERVIEW

Front view



Rear view



1. Standby button / MENU button	5. Forward button
2. Backward button	6. FAV button
3. Line out	7. DC 5V IN
4. Volume/ Navigator KNOB /Select/ OK button	8. Adaptor

INITIAL SETUP

Before operation, make sure that the VOLTAGE mentioned on the power supply is same as the voltage of your local electricity supply.

Use the supplied main adaptor to connect the device to a household main socket.

The first time your radio starts up, you can select the language, set up the network connection or set them later. Turn **KNOB** to select the desired option. Press **KNOB** to confirm.

Configure network

- 1. Add/Remove AP:** Select "Yes" to configure network settings. Then select Add/Remove by turning **KNOB** and confirm it by pressing **KNOB**.
Select **Add Ap (Scan)**, press **KNOB** to scan, then select the AP and press **KNOB** to enter WEP or WPA code to connect to Wi-Fi. Select the correct character by turning the **KNOB**.
Press **KNOB** to input and press **Backward** to **delete** characters. When the password is completed press and hold **KNOB** to confirm.
Note: Below characters are allowed as inputs: Numbers (from 0-9),
English letters (from A to Z and from a to z); Other characters (DEL, @, Blank, !, ", #, \$, %, &, *, ', +, (,), etc.)
- 2. Select Add AP (WPS button):** Press WPS button on the router and press KNOB on the internet radio. The connection between the router and the internet radio will be configured automatically.
- 3. Select Add AP (SmartConfig):** Finding channel....

Press and hold **Standby** to enter standby mode. When the actual date and time are shown the network configuration is well done. Date and time, as well as alarms-if activated-will still be shown on the display when in standby mode.

INTERNET RADIO

On the home screen, choose Internet radio and you will find below options.

Skytune: Local Radio, Globe Most Popular, Globe All, Globe By Genre, Globe by Region

Search: Contains, Begins with, Ends with, Search History

History: List of recently listened to stations.

When in the station playing screen, press and hold **FAV** to save the station as my favourite. Press **FAV** to view the favourite list and begin scrolling through the saved stations, move to the station, press **KNOB** to listen or press **Forward** button to edit the favourite list.

MEDIA CENTER

UpnP: Connect PC and Radio to the same network. Open the UPnP platform Windows Media Player (11 or later), or other platforms, and allow to share the media with IR-122. Add the audio files and folders to share with IR-122 to the media library. Then select the shared media at UPnP. If more than one computer sharing media, the alternatives are listed.

My playlist

Clear my playlist

BLUETOOTH

Select **Bluetooth** mode from Main menu. Activate Bluetooth pairing mode of phone/tablet, search for IR-122 and click to pair. Adjust volume at IR-122 or the connected device.

ALARM

Set **Alarm 1** or **Alarm 2**, turn **ON**, set **time**, **sound** (Tone or my favourite), **Repeat** (Everyday, once, Monday, Tuesday, Wednesday, Thursday, Friday, Saturday, Sunday), **Alarm Volume**, Alarm duration (15mins to 180mins), press KNOB to confirm.

SLEEP TIMER

Set Sleep timer: 15min to 180min, or turn off.

EN	
Manufacturer's name or trade mark, commercial registration number and address	Shenzhen Adition Audio Science & Technology Co.,Ltd. 914403007604818396 Huidebao Industrial Park, Baihua Community, Guangming District, Shenzhen, China
Model identifier	AD0600501000EU
Input voltage	100-240V ~
Input AC frequency	50-60Hz
Output voltage	5V
Output current	1.0A
Output power	5W
Average active efficiency	75.26%
Efficiency at low load (10%)	67.38%
No-load power consumption	0.07W

Please notice - All products are subject to change without any notice. We take reservations for errors and omissions in the manual.

ALL RIGHTS RESERVED, COPYRIGHT DENVER A/S



denver.eu



Electric and electronic equipment contains materials, components and substances that can be hazardous to your health and the environment, if the waste material (discarded electric and electronic equipment) is not handled correctly.

Electric and electronic equipment is marked with the crossed out trash can symbol, seen above. This symbol signifies that electric and electronic equipment should not be disposed of with other household waste, but should be disposed of separately.

All cities have established collection points, where electric and electronic equipment can either be submitted free of charge at recycling stations and other collection sites, or be collected from the households. Additional information is available at the technical department of your city.

Hereby, Denver A/S declares that the radio equipment type IR-122 is in compliance with Directive 2014/53/EU. The full text of the EU declaration of conformity is available at the following internet address: denver.eu and then click the search ICON on topline of website. Write model number: IR-122. Now enter product page, and RED directive is found under downloads/other downloads.

Operating Frequency Range: Bluetooth 2.400 -2.485 GHz. Wifi: 2.412 – 2.484 GHz
Max Output Power: 4W

DENVER A/S

Omega 5A, Soeften

DK-8382 Hinnerup

Denmark

www.facebook.com/denver.eu

Contact

Nordics

Headquarter
Denver A/S
Omega 5A, Soeften
DK-8382 Hinnerup
Denmark

Phone: **+45 86 22 61 00**
(Push "1" for support)

E-Mail
For technical questions, please write to:
support.hq@denver.eu

For all other questions please write to:
contact.hq@denver.eu

Benelux

DENVER BENELUX B.V.
Barwoutswaard 13C+D
3449 HE Woerden
The Netherlands

Phone: **0900-3437623**

E-Mail: **support.nl@denver.eu**

Spain/Portugal

DENVER SPAIN S.A
Ronda Augustes y Louis Lumiere, n° 23 – nave 16
Parque Tecnológico
46980 PATERNA
Valencia (Spain)

Spain
Phone: +34 960 046 883
Mail: **support.es@denver.eu**

Portugal:
Phone: **+35 1255 240 294**
E-Mail: **denver.service@satfiel.com**

Germany

Denver Germany GmbH Service
Max-Emanuel-Str. 4
94036 Passau

Phone: **+49 851 379 369 40**

E-Mail
support.de@denver.eu

Fairfixx GmbH
Repair and service
Rudolf-Diesel-Str. 3 TOR 2
53859 Niederkassel

(for TV, E-Mobility/Hoverboards/Balanceboards,
Smartphones & Tablets)

Tel.: **+49 851 379 369 69**
E-Mail: **denver@fairfixx.de**

Austria

Lurf Premium Service GmbH
Deutschstrasse 1
1230 Wien

Phone: **+43 1 904 3085**
E-Mail: **denver@lurfservice.at**

If your country is not listed above,
please write an email to
support@denver.eu



DENVER A/S
Omega 5A, Soeften
DK-8382 Hinnerup
Denmark

denver.eu
facebook.com/denver.eu

Version 1.1