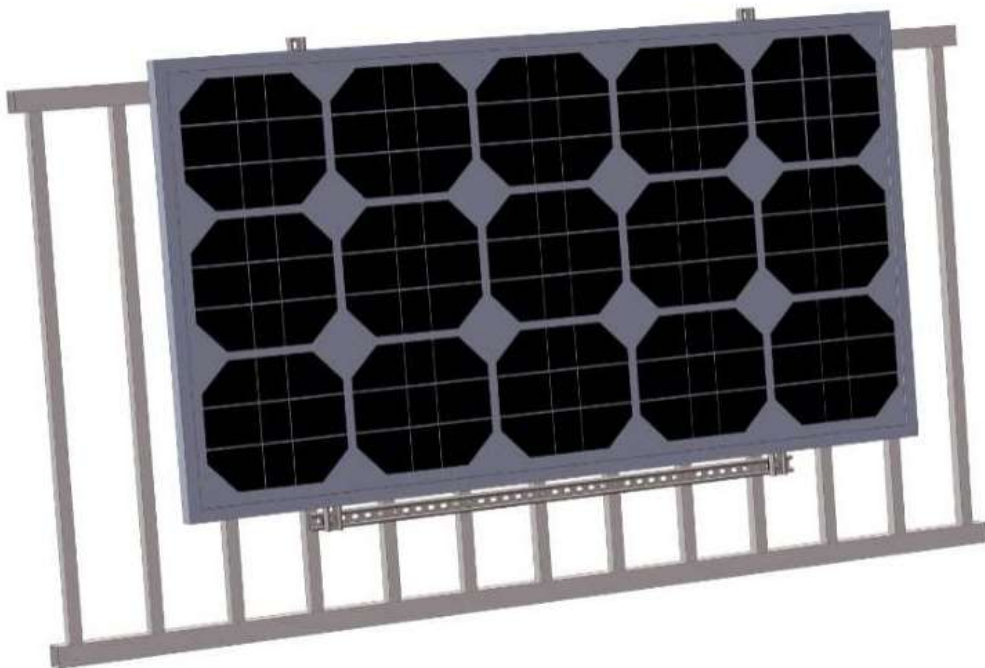




Installation guide

Vertical bracket for solar balcony rack

SVB-661



[facebook.com/denver.eu](https://www.facebook.com/denver.eu)

Please read this guide before assembling the
product.

1. Safety information

Please read the safety instructions carefully before using the product for the first time and keep the instructions for future reference.

1. This product is not a toy. Keep it out of reach of children.
2. Keep product out of the reach of children and pets to avoid chewing and swallowing.
3. Please make sure that all bolts and fasteners are properly fastened before mounting the solar panel. If bolts are loose, then there is a risk that it can drop the solar panel and create dangerous situation below the balcony. Use a torque wrench or socket spanner to make sure it is tight. Do not exceed these below values for the bolts.

M8 bolts: 11 ± 1 N*m

M10 bolts: 20 ± 1 N*m

M12 bolts: 35 ± 1 N*m

The bolt will lock after tightening. That is called a deadlock. If you want to make sure you can unlock the screw later then please use some water wax or a lubricant like machine oil on the surface before fastening.

4. Please be minimum 2 persons for lifting and mounting the solar panels.
5. Please make sure the bracket is fixed to balcony both in top and in the bottom so it can withstand stormy weather.

2. Tools suggested for mounting

6mm hex wrench (not included)



Tape measure (not included)



Power tool (Not included)



Torque Wrench (not included)



Monkey Wrench (not included)



3. Components in package

4 pcs vertical rails (2 pcs for each solar panel)



2 pcs horizontal rails (1 pcs for each solar panel)



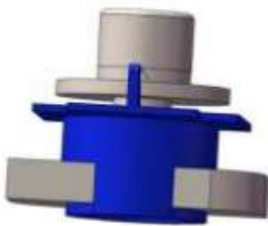
4 pcs U Bolt Kits (2 pcs for each kit)



8 pcs M8X35 Bolt kits (4 pcs for each solar panels)



4 pcs Fixing nut (2 pcs for each solar panel)



4 pcs stainless steel tie (2 pcs for each solar panel)

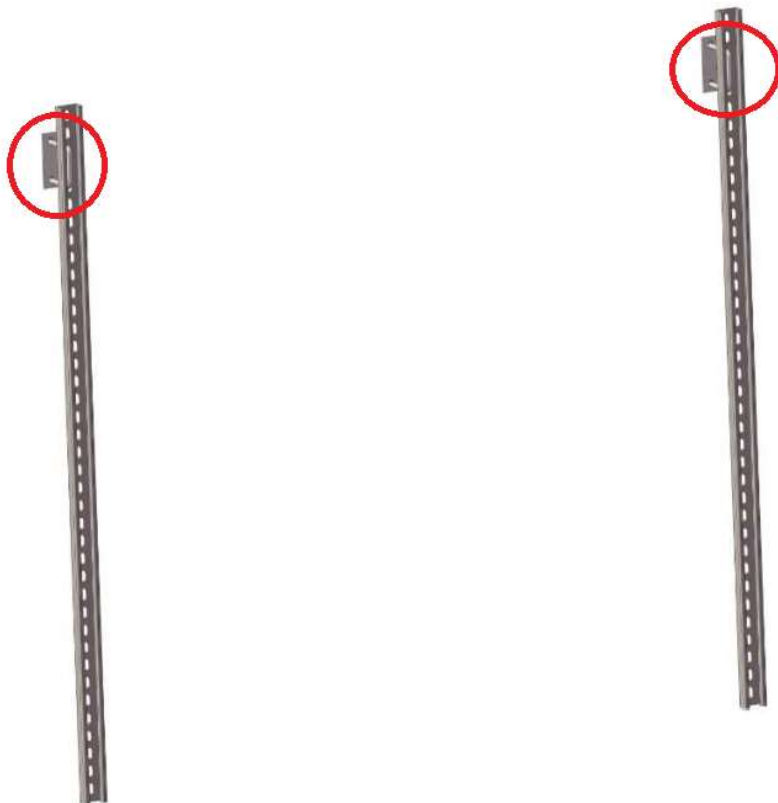


4. Installation

All the dimensions should be subject to the construction drawing. This installation guide is for descriptive purpose of installation only. Please be minimum 2 persons for lifting and mounting the solar panels.

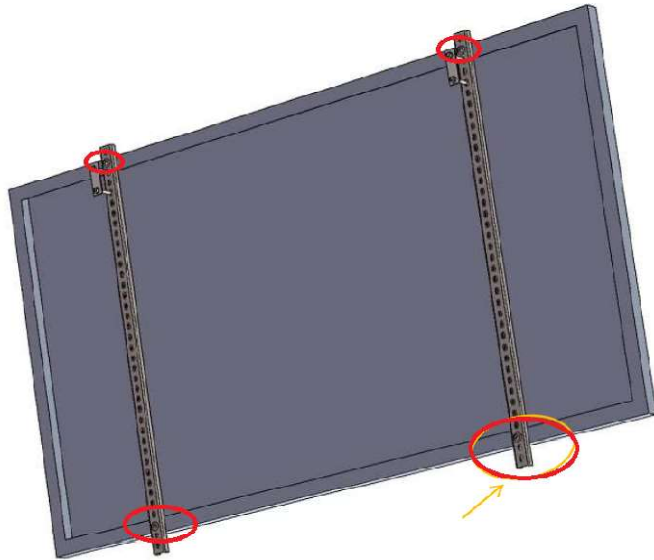
4.1 Install the rails

Fasten the U Bolt Kit to the vertical rails.

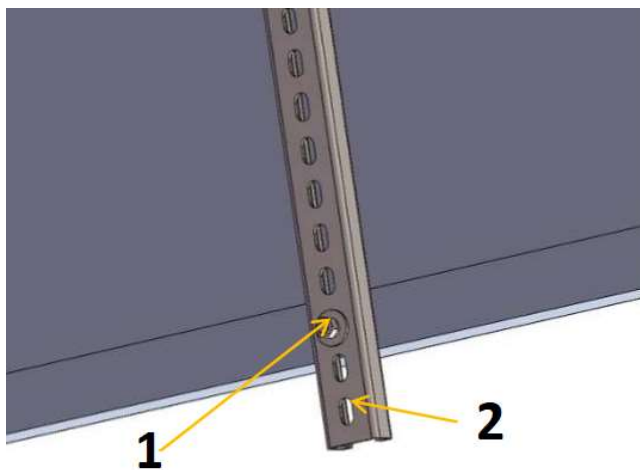


4.2 Install the panel

Fix the rail onto the solar panel with the M8X35 bolt kits. Each solar panel needs 4 bolt kits like shown below.



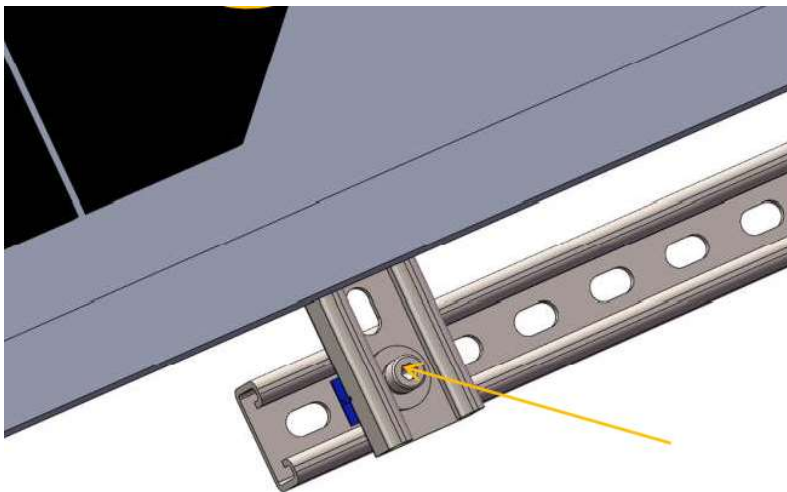
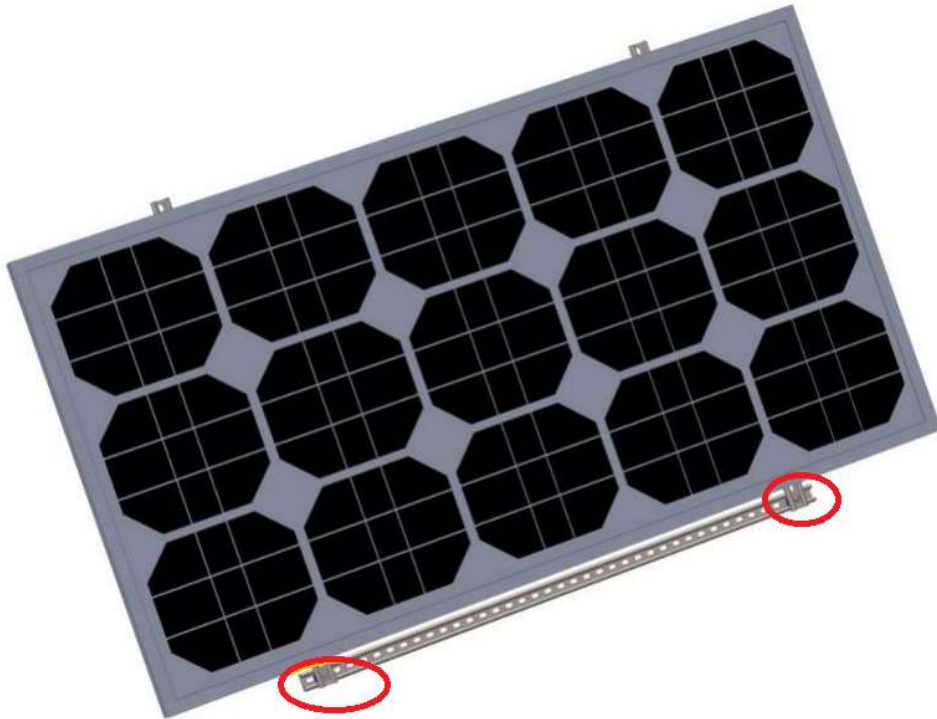
Please make sure that last hole at the end of the rail is reserved as this is needed for the next step.



1. M8X35 Bolt
2. The last hole is reserved.

4.3 Installing the horizontal rail

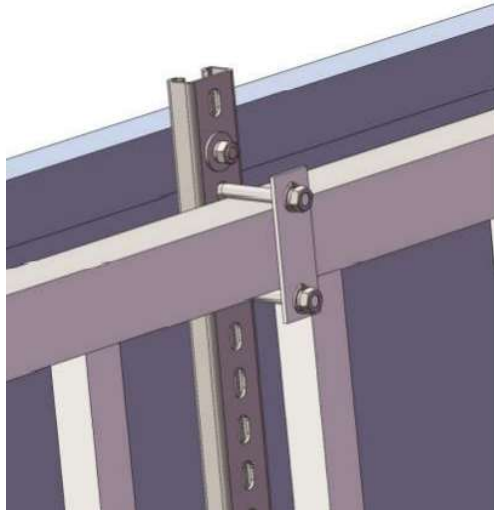
Mount the horizontal rail with 2 fixing nuts.



4.4 Fixing bracket to the Balcony

Fasten the entire panel bracket on the balcony guardrail and lock it with the fixing plate of the U bolt Kits.





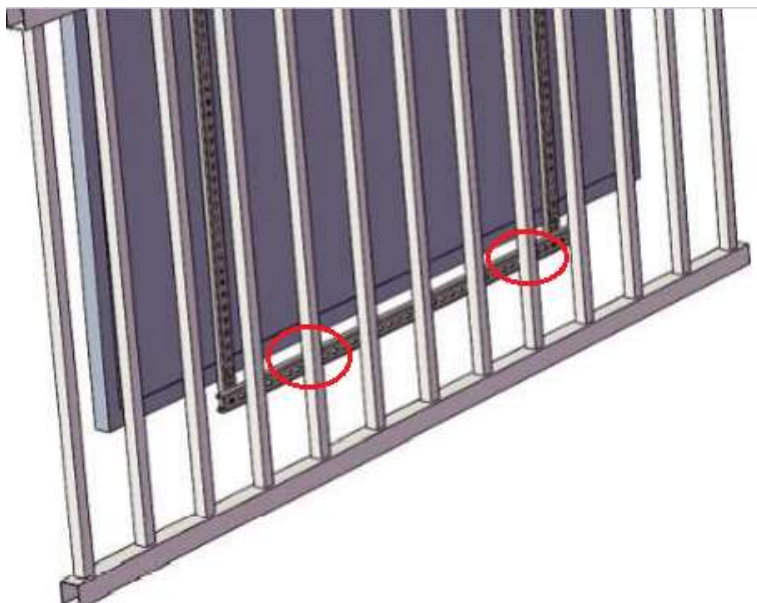
Please make sure that the bracket is mounted at the bottom the balcony to avoid problems during stormy weather and to make sure the panel can not move under any circumstances.

2 pcs stainless steel ties are included which must be used at the below marked points. If your balcony doesn't have rails. Then you need find another way to fix the bottom of the panel. Bottom must be fixed. Otherwise, it will be dangerous in stormy weather.



Stainless steel tie.

Example positions for steel tie



Please notice - All products are subject to change without any notice. We take reservations for errors and omissions in the manual.

ALL RIGHTS RESERVED, COPYRIGHT DENVER A/S



DENVER A/S

Omega 5A, Soefte

DK-8382 Hinnerup Denmark

[facebook.com/denver.eu](https://www.facebook.com/denver.eu)