

CRD-506

denver.eu

07/22

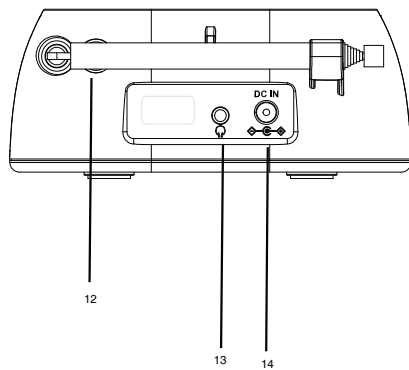
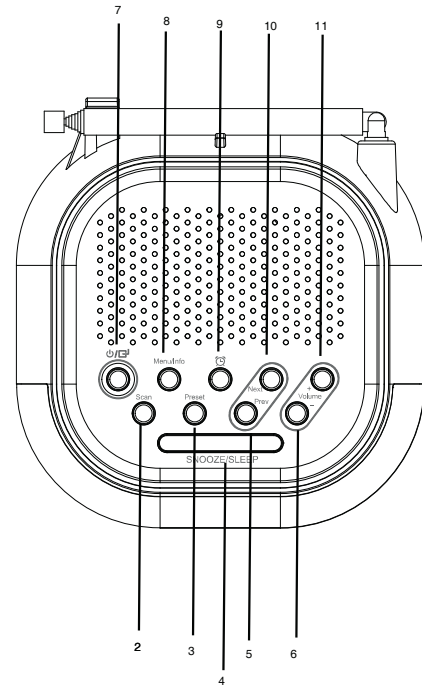
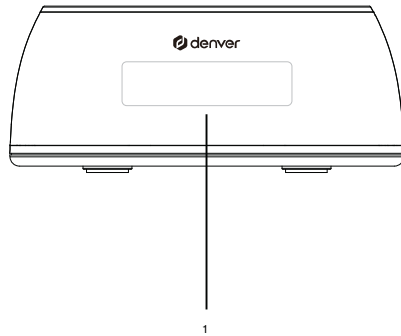


Points de collecte sur [www.quefairedemesdechets.fr](http://www.quefairedemesdechets.fr)  
Privilégiez la réparation ou le don de votre appareil !

## Safety information

Please read the safety instructions carefully before using the product for the first time and keep the instructions for future reference.

1. This product is not a toy. Keep it out of reach of children.
2. Keep product out of the reach of children and pets to avoid chewing and swallowing.
3. Product operating and storage temperature is from 0 degree Celsius to 40 degree Celsius. Under and over this temperature might affect the function.
4. Never open the product. Touching the inside electric parts can cause electric shock. Repairs or service should only be performed by qualified personnel.
5. Do not expose to heat, water, moisture, direct sunlight!
6. Please protect your ears against loud volume. Loud volume can damage your ears and risk in hearing loss.
7. The unit is not waterproof. If water or foreign objects enter the unit, it may result in fire or electric shock. If water or a foreign object enters the unit, stop use immediately.
8. Only use with supplied Adaptor. The direct plug-in adapter is used as disconnect device, the disconnect device shall remain readily operable. So, make sure there is space around the power outlet for easy access.
9. Do not use non original accessories together with the product as this can make the product functionality abnormal.



1. LCD display
2. Scan button
3. Preset button
4. Snooze/Sleep button
5. Prev. button
6. Volume Down button
7. Power/Mode button
8. Menu/Info button
9. Alarm button
10. Next button
11. Volume Up button
12. Antenna
13. Headphone output socket
14. DC mains input socket

## **BASIC OPERATION**

### **Setting up**

#### **Mains**

To run the radio from the main power, follow the instructions below.

1. Connect the DC mains plug to the DC mains input socket on the rear of the unit.
2. Connect the adapter plug to a mains outlet and switch the radio on.

Note: As the DAB radio station list is stored in the memory, no station search takes place the next time you switch on your radio.

#### **Telescopic antenna**

The appliance features a telescopic DAB/FM antenna on its back. Pull the antenna out completely and orient so to achieve the best reception.

#### **Standby & Power off mode**

1. Press and hold the Power/Mode button for 1 second to put the system into Standby mode.
2. To switch it back on, press the Power/Mode button.

#### **Scanning for DAB stations**

1. In DAB mode, press and release the Scan button to carry out a scan. "Scanning" will be displayed, and a progress bar will show the scan progress. The display also shows the number of stations found during the scan.

#### **Storing preset DAB stations**

**Your radio can store up to 20 preset DAB stations to instantly access your favorite stations.**

Note: When storing DAB radio stations as presets, they do not overwrite your FM station presets.

1. Tune your radio to the DAB station you wish to preset with the Prev. or Next button and confirm with the Preset button.
2. Press and hold the Preset button on the front of your radio. Preset Store <1: (Empty)> is displayed and the number is flashing. Or "Empty" if no previous station has been stored.
3. Use the Prev. or Next button to move to a preset location where you would like to store the radio station (1-20).

4. Press and release the **Preset** button to confirm your selection. The display will confirm Preset X stored, where “X” is the number of the preset (1-20).

Note: If an existing DAB station is already stored as a preset, it will be overwritten when storing the new station.

### **Tuning to a preset DAB station**

#### **In DAB mode**

1. Press and release the **Preset** button; the display shows Preset Recall s1 and the name or frequency of the station stored, or “Empty” if no previous station has been stored.
2. Press the **Prev.** or **Next** button to scroll to the Preset location and station you would like to listen to (1-20).

Press the **Preset** button; the radio will instantly tune to that station and play it.

Note: If no DAB station has been stored with the **Preset** button, Preset Empty will be displayed. The radio will revert to the previously selected radio station in a few seconds.

### **Using your FM Radio**

1. Extend the telescopic antenna.
2. Press and hold the **Prev.** or **Next** button to scan up or down the frequency range. When a station is found, the scan stops and the located station is played. Press the **Scan** button to search FM stations.
3. You can fine-tune the frequency by pressing the **Prev.** or **Next** button to advance 0.05 MHz with each press.

### **Alarm setting:**

1. Press the **Alarm** button, press the **Prev.** or **Next** button to choose Alarm 1 or Alarm 2 and confirm with the **Preset** button.
2. Adjust the hour and minutes with the **Prev.** or **Next** button and confirm with the **Preset** button.
3. Choose the alarm duration from 10 to 60 minutes and confirm with the **Preset** button.

4. Select between DAB, FM or buzzer as an alarm source. Choose with the Prev. or Next button and confirm with the Preset button.
5. Press the Prev. or Next button to select the alarm occurrence. Select between Once, Daily, Weekdays or Weekend, then press the Preset button to confirm.
6. Adjust the alarm volume with Vol+ or Vol- and confirm with the Preset button.
7. Confirm the alarm settings by choosing Alarm On and confirm with the Preset button.

NOTE: <Alarm 1 setting> same as <Alarm 2 setting>

### **Stopping alarms**

When the alarm sounds, press the Standby button to stop it.

### **Snooze function**

When the alarm sounds, press and release the **Snooze/Sleep** button to activate the snooze feature. "Snooze 9 minutes". The alarm sounds again in 9 minutes.

### **Turning off the alarms**

In Alarm setting 1 and 2, select "Alarm Off".

### **Sleep timer**

In DAB or FM mode, press and hold the Menu/Info button to enter the <System> menu. Then press the Prev. or Next button to cycle through options until you locate "Sleep".

You can set your radio to turn off automatically using the sleep timer. You can choose Sleep off, 15, 30, 45, 60 and 90 minutes.

### **Bluetooth mode**

1. Press the Power/Mode button to select Bluetooth mode.
2. Search "Denver CRD-506" with the Bluetooth device. When the Bluetooth device finds "Denver CRD-506", select the connection.
3. Press the Preset button to play or pause.
4. Press the Next button to select the next track and the Prev. button to select the previous track.
6. Press and hold the Preset button to disconnect the Bluetooth device.

### **Headphone socket**

1. Connecting the headphone deactivates the speakers.
2. Sound adjustments also affect the sound through the headphone.

NOTE: Turn down the volume before connecting or putting on the headphone.

|   |  |
|---|--|
| EN  |  |
| Manufacturer's name or trade mark, commercial registration number and address | DongGuan Obelieve Electronic Co., Ltd.<br>91441900050747698U<br>Huazhaoxin Industrial Park B-4/F,Golden Phoenix Industrial Zone, Fenggan Town,Dongguan,GuangDong Province,People's Republic of China |
| Model identifier  | OBL-0501000E   |
| Input voltage   | 100-240V   |
| Input AC frequency  | 50/60Hz  |
| Output voltage  | 5 V  |
| Output current  | 1 A  |
| Output power  | 5 W  |
| Average active efficiency   | 76.52%   |
| Efficiency at low load (10%)  | --   |
| No-load power consumption   | 0.075 W  |

Please notice - All products are subject to change without any notice. We take reservations for errors and omissions in the manual.

ALL RIGHTS RESERVED, COPYRIGHT DENVER A/S



denver.eu



Electric and electronic equipment contains materials, components and substances that can be hazardous to your health and the environment, if the waste material (discarded electric and electronic equipment) is not handled correctly.

Electric and electronic equipment is marked with the crossed out trash can symbol, seen above. This symbol signifies that electric and electronic equipment should not be disposed of with other household waste, but should be disposed of separately.

All cities have established collection points, where electric and electronic equipment can either be submitted free of charge at recycling stations and other collection sites, or be collected from the households. Additional information is available at the technical department of your city.

Hereby, Denver A/S declares that the radio equipment type CRD-506 is in compliance with Directive 2014/53/EU. The full text of the EU declaration of conformity is available at the following internet address: [denver.eu](http://denver.eu) and then click the search ICON on topline of website. Write model number: CRD-506. Now enter product page, and RED directive is found under downloads/other downloads.

Operating Frequency Range:

DAB Frequency range: 174.9 – 239.2 MHz FM Frequency range: 87.5 -108MHZ

Max Output Power: 1 W

DENVER A/S

Omega 5A, Soeften

DK-8382 Hinnerup

Denmark

[www.facebook.com/denver.eu](http://www.facebook.com/denver.eu)