

MDA-270

denver.eu

2022

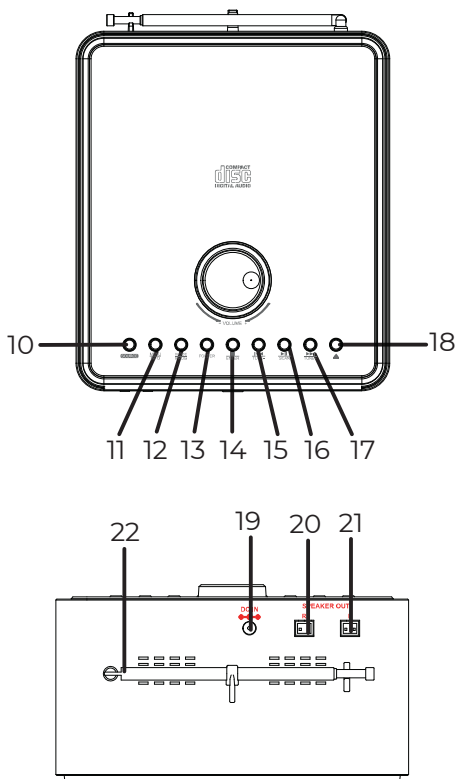
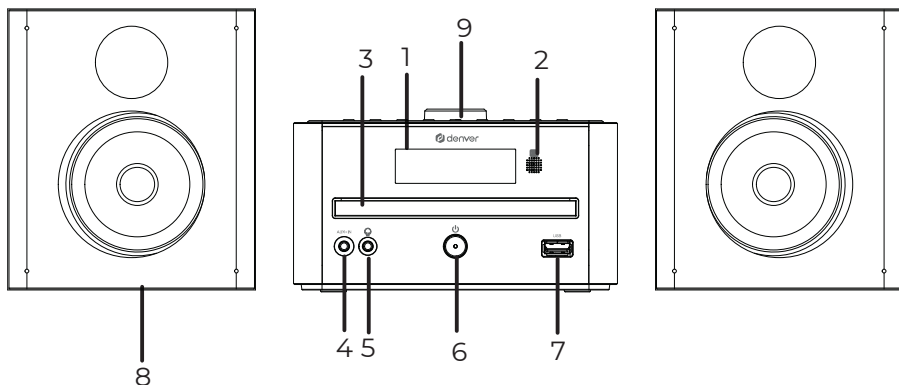
Safety information

Please read the safety instructions carefully before using the product for the first time and keep the instructions for future reference.

1. This product is not a toy. Keep it out of reach of children.
2. Keep product out of the reach of children and pets to avoid chewing and swallowing.
3. Product operating and storage temperature is from 0 degree Celsius to 40 degree Celsius.
Under and over this temperature might affect the function.
4. Never open the product. Touching the inside electrics can cause electric shock. Repairs or service should only be performed by qualified personnel.
5. Do not expose to heat, water, moisture, direct sunlight!
6. Please protect your ears against loud volume. Loud volume can damage your ears and risk in hearing loss.
7. Bluetooth wireless technology operates within a range of about 10 m (30 feet). The maximum communication distance may vary depending on the presence of obstacles (people, metal objects, walls, etc.) or the electromagnetic environment.
8. Microwaves emitting from a Bluetooth device may affect the operation of electronic medical devices.
9. The unit is not waterproof. If water or foreign objects enter the unit, it may result in fire or electric shock. If water or a foreign object enters the unit, stop use immediately.
10. Only charge with supplied Adaptor. The direct plug-in adaptor is used as disconnect device, the disconnect device shall remain readily operable. So, make sure there is space around the power outlet for easy access.
11. Do not use non original accessories together with the product as this can make the product functionality abnormal.

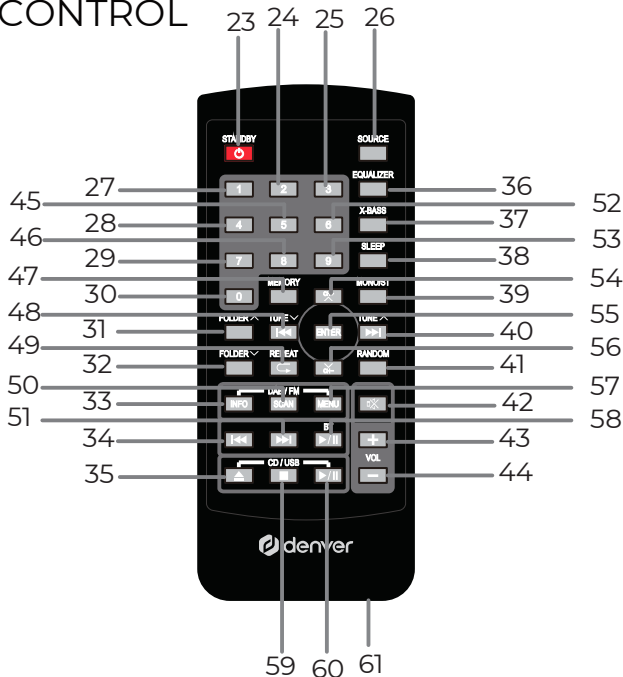
MICRO SYSTEM MDA-270

LOCATION OF CONTROLS



1. LCD DISPLAY
2. REMOTE SENSOR
3. CD DOOR
4. AUX IN
5. 3.5MM HEADPHONES JACK
6. POWER / STANDBY
7. USB PORT
8. SPEAKER
9. VOLUME +/-
10. SOURCE
11. MENU / INFO
12. MODE / PROG
13. FOLDER
14. STOP / ENTER
15. TUNE - / SKIP -
16. PLAY / PAUSE / SCAN / PAIR
17. TUNE + / SKIP +
18. OPEN / CLOSE
19. DC IN (9V 2A)
20. SPEAKER SOCKET "R"
21. SPEAKER SOCKET "L"
22. ANTENNA

REMOTE CONTROL



- | | |
|---------------------|-----------------------------------------|
| 23. POWER /STANDBY | 43. VOLUME + |
| 24. 2 | 44. VOLUME - |
| 25. 3 | 45. 5 |
| 26. SOURCE | 46. 8 |
| 27. 1 | 47. MEMORY |
| 28. 4 | 48. TUNE - / SKIP - |
| 29. 7 | (RADIO, CD, USB) |
| 30. 0 | 49. REPEAT |
| 31. FOLDER + | 50. SCAN |
| 32. FOLDER - | 51. SKIP + (BT) |
| 33. INFO | 52. 6 |
| 34. SKIP - (BT) | 53. 9 |
| 35. OPEN / CLOSE | 54. CH+ |
| 36. EQUALIZER | 55. ENTER |
| 37. X-BASS | 56. CH- |
| 38. SLEEP | 57. MENU |
| 39. MONO / ST | 58. PLAY / PAUSE (BT) |
| 40. TUNE + / SKIP + | 59. STOP (CD, USB) |
| (RADIO, CD, USB) | 60. PLAY / PAUSE (CD, USB) |
| 41. RANDOM | 61. BATTERY COMPARTMENT |
| 42. MUTE | 1 x 3V size "CR2025" (Battery included) |

POWER SUPPLY - Connect the power cord to DC IN on the device. Connect the power adapter to a suitable household power outlet. Press the "**POWER**" button to turn the appliance On or Standby. Press the "**SOURCE**" button to enter DAB, FM, Bluetooth, CD or USB mode

VOLUME - Adjust the volume level with the "**VOLUME**" control.

SETTING THE CLOCK - Date and Time is automatically set once the unit receives DAB radio broadcast signals (and when such info is available).

DISPLAYING TIME OR DATE INFORMATION

Press the "**INFO**" button in DAB, FM, Bluetooth, CD or USB modes

DAB OR FM RADIO

1. Press the "**SCAN**" button for automatic scan; radio stations with suitable signal strength are automatically saved. After the search is complete, the first saved station is played automatically.
2. Press or press and hold the "**TUNE+/-**" button to select the station.
*If the signal is weak or distorted, try to align the telescopic antenna vertically.

RDS INFORMATION

Press the "**INFO**" button to display the following information (if Radio Data System "**RDS**" is available).

- Radio Text
- Program Type (such as NEWS, SPORT, POP M)
- Name
- Mono
- Time
- Date

DISPLAYING DAB INFORMATION

Press the "**INFO**" button to display the following information (if available).

- Frequency
- Ensemble Name
- Time
- Date

STORING PRESET STATIONS - 30 memory presets for DAB/FM

1. Press the "**TUNE+/-**" button to select DAB or FM radio mode.
 2. Press and hold the "**PROG**" button to enter preset mode.
 3. Press the "**SKIP+/-**" button to select the preset number.
 4. Press "**ENTER**" button to save the desired instruction.
- Repeat steps 1 - 4 to save more preset stations.

RECALL PRESET STATIONS

1. Press the "**PROG**" button to enter preset recall mode.
2. Press the "**SKIP+/-**" button to select the preset station.
3. Press the "**ENTER**" button to recall the preset station.

DAB MENU

Press and hold the "**MENU**" button.

Press the "**SKIP+/-**" button to select the desired information.

Press "**ENTER**" button to save the desired instruction.

(*The asterisk behind the option indicates the current setting.)

1. Full Scan
2. Manual Tuning
3. DRC (Dynamic Range Control) - off / low / high
DRC On or Off allow for a degree of compensation for the differences in the dynamic range between radio stations.
4. Prune - No: Return to the previous menu / Yes: Remove invalid stations form the station list
5. System

Sleep - 15, 30, 45, 60, 90 minutes or off

Alarm

- Alarm 1 or 2

- Hour

- Minute

- Duration 15, 30, 45, 60 or 90

- Source: BUZZER, DAB, FM, CD or USB

- Daily, Once, Weekends or Weekdays

- Volume level

- Alarm On or Off

When the alarm setting is active, the corresponding alarm icon will be displayed. After the set time has expired the device will sound an alarm and light up.

Time - Set Time/Date

Auto Update - Update from DAB, FM or no update

Set 12/24 hour - Set 12/24 hour format

Set Date format - DD-MM-YYYY / MM-DD-YYYY

Backlight

- Timeout (10, 20, 30, 45, 60, 90, 120 180 seconds or On)

- On level (High, Medium or Low)

- Dim level (High, Medium or Low)

Language – English – German – Italian - French

Factory Reset - Yes / No

SW Version - Check the version

FM MENU

Press and hold the **"MENU"** button.

Press the **"SKIP+/-"** button to select the desired information.

Press **"ENTER"** button to save the desired instruction.

(*The asterisk behind the option indicates the current setting.)

1. Scan setting - All Stations: Regardless of the signal strength / Strong station only
2. Audio setting - Stereo allowed / Forced mono
3. System - Same as DAB MENU

BLUETOOTH

Turn on the Bluetooth function of your device and pair **"DENVER MDA-270"** from the device list.

1. Bluetooth Connected will be shown on the display once successfully connected.

2. Press and hold the **"PAIR"** button to disconnect.

During Playback

1. Press the **"PLAY/PAUSE"** button to play or pause the track.

2. Press the **"SKIP+/-"** button to skip to the next or previous track.

*Change the volume level on this unit or on your Bluetooth device.

CD and USB playback

1. Insert a CD or connect a USB stick.

2. The unit automatically reads and plays from the first track.

3. Press the **"PLAY/PAUSE"** button to play or pause the track.

4. Press the **"SKIP+/-"** button to skip to the next or previous track.

5. Press and hold the **"SKIP+/-"** button to search a position inside the track.

6. Press the **"STOP"** button to stop playback.

REPEAT (CD / MP3 and USB)

Press the **"MENU"** button during playback.

- Repeat one track

- Repeat DIR (Folder)

- Repeat all tracks

- Intro

- Normal Playback (DISC or USB display on)

FOLDER - Press the **"FOLDER"** button select a folder.

PROGRAM PLAYBACK (CD, CD MP3 or USB)

CD = max 20 tracks

CD MP3 or USB = max 99 tracks

1. Press the "**STOP**" button.
 2. Press the "**PROC**" button, P01 will show on the display.
 3. Press the "**SKIP+/-**" button too select a track.
 4. Press the "**PROC**" button again to save the selected track.
 5. Repeat the steps to program further tracks.
 6. Press the "**PLAY**" button to playback the programmed track list ("**MEM**" is shown on the display).
 7. Press the "**STOP**" button twice to cancel the programmed track list
- *The repeat function is available for programmed track list.

Aux-in

1. Use a 3.5mm Aux In cable (not included) to connect the Aux in jack and an external audio player.
2. Control the playback from the external audio player.
3. Adjust the volume level on this unit or on the external audio player.

HEADPHONES JACK - Once connecting headphones to the 3.5mm headphone jack, then the sound from the speakers will be muted automatically.

Please notice - All products are subject to change without any notice.
We take reservations for errors and omissions in the manual.

ALL RIGHTS RESERVED, COPYRIGHT DENVER A/S



denver.eu



Electric and electronic equipment and included batteries contains materials, components and substances that can be hazardous to your health and the environment, if the waste material (discarded electric and electronic equipment and batteries) is not handled correctly.

Electric and electronic equipment and batteries is marked with the crossed out trash can symbol, seen above. This symbol signifies that electric and electronic equipment and batteries should not be disposed of with other household waste, but should be disposed of separately.

As the end user it is important that you submit your used batteries to the appropriate and designated facility. In this manner you make sure that the batteries are recycled in accordance with legislature and will not harm the environment.

All cities have established collection points, where electric and electronic equipment and batteries can either be submitted free of charge at recycling stations and other collection sites, or be collected from the households. Additional information is available at the technical department of your city.

Hereby, Denver A/S declares that the radio equipment type MDA-270 is in compliance with Directive 2014/53/EU. The full text of the EU declaration of conformity is available at the following internet address: denver.eu and then click the search ICON on topline of website. Write model number: MDA-270. Now enter product page, and RED directive is found under downloads/other downloads.

Operating Frequency Range:

FM 88-108 MHz

DAB/DAB+ 174.928 - 239.200 MHz

Bluetooth Frequency 2.4GHZ

Max Output Power: 2 x 50 W / 2 x 5 W RMS

DENVER A/S

Omega 5A, Soeften

DK-8382 Hinnerup

Denmark

www.facebook.com/denver.eu