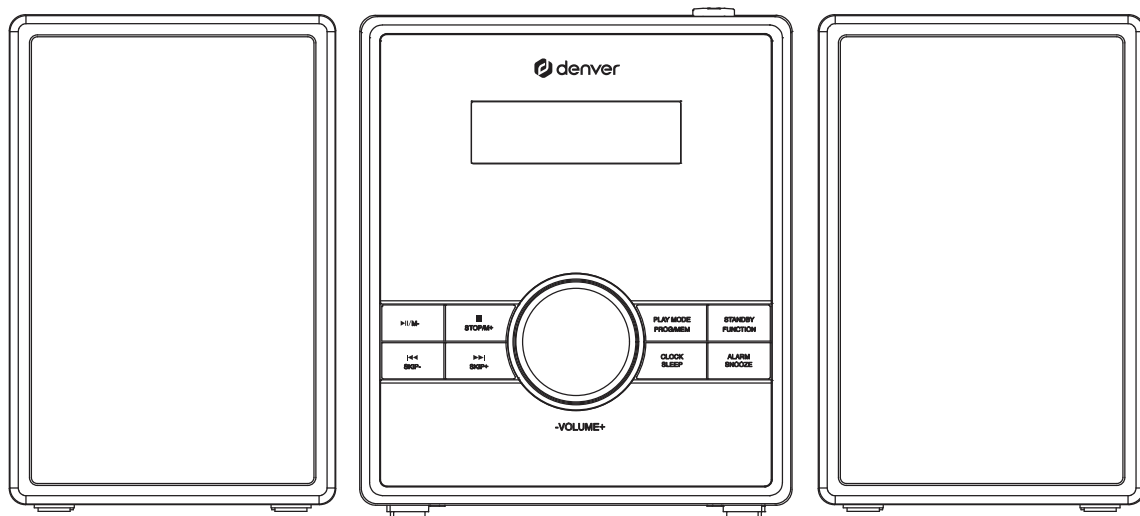




# CD PLAYER WITH FM ALARM CLOCK PLL RADIO

MODEL MCA-230MK2





**BEFORE OPERATING THIS PRODUCT, READ, UNDERSTAND, AND FOLLOW THESE INSTRUCTIONS.**

Be sure to save this booklet for future reference.

[www.facebook.com/denver.eu](http://www.facebook.com/denver.eu)

# SAFETY INSTRUCTIONS

 <p>The lightning flash with arrowhead symbol, with an equilateral triangle is intended to alert the user of the presence of uninsulated dangerous voltage within the product's enclosure that may be of sufficient magnitude to constitute a risk of electric shock to persons.</p>	<p style="text-align: center;"><b>CAUTION</b></p> <p style="text-align: center;"><b>RISK OF ELECTRIC SHOCK DO NOT OPEN</b></p> <p>CAUTION: TO REDUCE THE RISK OF ELECTRIC SHOCK, DO NOT REMOVE COVER (OR BACK). NO USER SERVICEABLE PARTS INSIDE. REFER SERVICING TO QUALIFIED SERVICE PERSONNEL.</p>	 <p>The exclamation point within an equilateral triangle is intended to alert the user of presence of important operating and maintenance (servicing) instruction. In the literature accompanying the appliance.</p>
---	---	---

**CAUTION :** TO PREVENT ELECTRIC SHOCK, MATCH WIDE BLADE OF PLUG TO WIDE SLOT, FULLY INSERT.

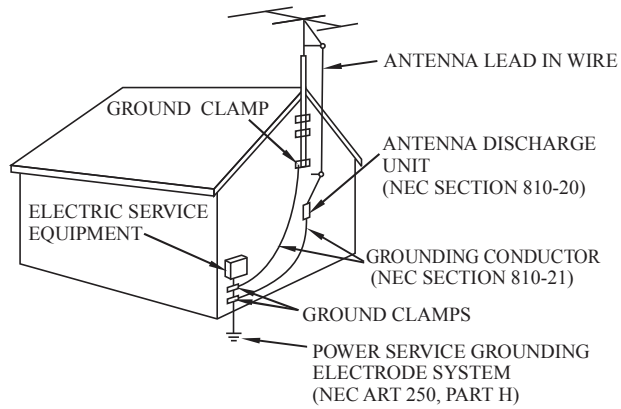
**WARNING :** TO REDUCE THE RISK OF FIRE OR ELECTRIC SHOCK, DO NOT EXPOSE THE APPLIANCE TO RAIN OR MOISTURE.

## Safety information

Please read the safety instructions carefully before using the product for the first time and keep the instructions for future reference.

1. This product is not a toy. Keep it out of reach of children.
2. Keep product out of the reach of children and pets to avoid chewing and swallowing.
3. Product operating and storage temperature is from 0 degree Celsius to 40 degree Celsius. Under and over this temperature might affect the function.
4. Never open the product. Touching the inside electrics can cause electric shock. Repairs or service should only be performed by qualified personnel.
5. Do not expose to heat, water, moisture, direct sunlight!
6. Please protect your ears against loud volume. Loud volume can damage your ears and risk in hearing loss.
7. The unit is not waterproof. If water or foreign objects enter the unit, it may result in fire or electric shock. If water or a foreign object enters the unit, stop use immediately.
8. The direct plug-in cable is used as disconnect device, the disconnect device shall remain readily operable. So, make sure there is space around the power outlet for easy access.
9. Do not use non original accessories together with the product as this can make the product functionality abnormal.

**EXAMPLE OF ANTENNA GROUNDING AS PER  
NATIONAL ELECTRICAL CODE**



**NEC NATIONAL ELECTRICAL CODE**

Do not apply oil or petroleum products to this product.

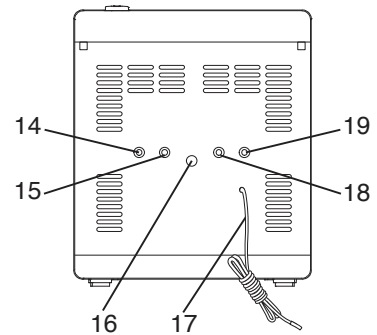
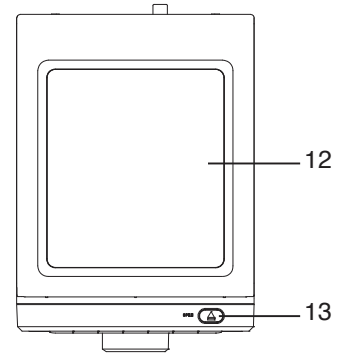
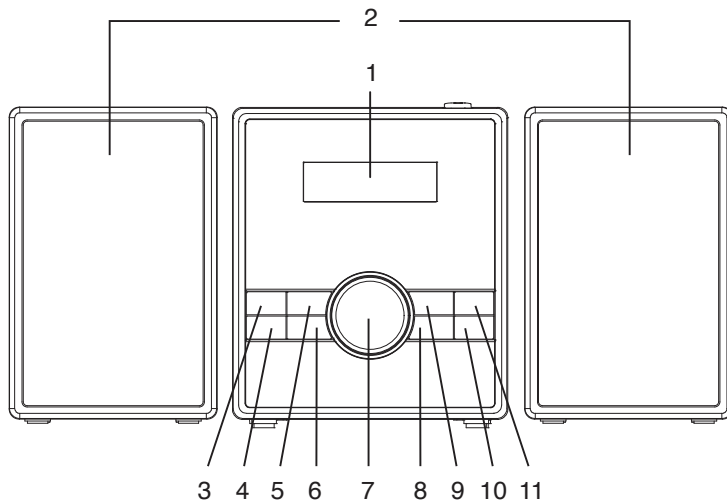
## CAUTION

Invisible laser radiation will be emitted when the product is open and interlocks are defeated. Do not defeat the safety interlocks.

GRAPHIC SYMBOLS WITH SUPPLEMENTARY MARKINGS ARE LOCATED ON THE BOTTOM OF THE UNIT.

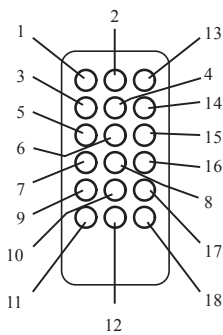
USE OF CONTROLS, ADJUSTMENTS, OR PERFORMANCE PROCEDURE HEREIN MAY RESULT IN HAZARDOUS RADIATION EXPOSURE.

## LOCATION OF CONTROLS



- |                            |                             |
|----------------------------|-----------------------------|
| 1. LCD display             | 11. STANDBY/FUNCTION button |
| 2. SPEAKER                 | 12. CD Door                 |
| 3. PLAY/PAUSE / M- button  | 13. CD Door open button     |
| 4. SKIP- button            | 14. AUX jack                |
| 5. STOP / M+ button        | 15. Phone jack              |
| 6. SKIP+ button            | 16. DC jack                 |
| 7. Volume control          | 17. FM antenna              |
| 8. CLOCK / SLEEP button    | 18. Right speaker jack      |
| 9. MODE/PROG/MEMORY button | 19. Left speaker jack       |
| 10. ALARM/SNOOZE button    |                             |

## REMOTE CONTROL



- |                       |                        |
|-----------------------|------------------------|
| 1. Standby button     | 10. Memory button      |
| 2. Function button    | 11. Time button        |
| 3. Stop button        | 12. Snooze button      |
| 4. Volume + button    | 13. Mute button        |
| 5. SKIP- button       | 14. Mode button        |
| 6. Play/ Pause button | 15. SKIP+ button       |
| 7. M-DN ( M- ) button | 16. M-UP ( M+ ) button |
| 8. Volume - button    | 17. Prog button        |
| 9. Alarm button       | 18. Sleep button       |

## **Unit Power Supply**

This unit is designed to operate on wither AC/DC adaptor.

Operation with AC/DC Adaptor.

Insert the small plug of adaptor into the DC Jack.

Insert the AC/DC adaptor in to any convenient having AC~230V 50Hz household outlet in vertical or horizontal direction.

Manufacturer's name or trade mark, commercial registration number and address	Dongguan Guanjin Electronics Technology Co.,Ltd 914419005940102216 Block 16, Qiantou New Industrial Park, Niushan, Dongcheng Dictriect, 523128 Dongguan city, Guangdong Province, PEOPLE'S REPUBLIC OF CHINA
Model identifier	K05V050120G
Input voltage	100-240V
Input AC frequency	50/60HZ
Output voltage	5.0V
Output current	1.2A
Output power	6.0W
Average active efficiency	75.21%
Efficiency at low load (10%)	--
No-load power consumption	0.06W

## **TO SET THE CLOCK TIME**

### **In Standby off mode.**

1. Press and hold the CLOCK BUTTON on the unit or TIME BUTTON on the remote, the digit will blink on the display, then press SKIP+ / SKIP- button to desired 24H / 12H, and press the the CLOCK BUTTON on the unit or TIME BUTTON on the remote to confirm
2. Then press the SKIP+ / SKIP- Button to set the desired HOUR,
3. Then press the CLOCK BUTTON on the unit or TIME BUTTON on the remote again, the MINUTE will blink.
4. Press the SKIP+ / SKIP- Button to set desired MINUTE.
5. Press the CLOCK BUTTON on the unit or TIME BUTTON on the remote to confirm

## **TO SET ALARM FUNCTION**

### **In Standby off mode**

1. Press and hold the ALARM button, the AL1 icon and HOUR time will blink.
2. Then press the SKIP+ / SKIP- button to set the Desire Hour
3. Press the ALARM button, The MIN time will blink
4. Then press again SKIP+ / SKIP- to set the Desire Minute.
5. After setting the alarm time as your desired, to press ALARM button again. You can now select whether the alarm should go on to Buzzer, Radio or CD

### **Wake to buzzer**

Press the SKIP+ / SKIP- button until "bb" is shown in the display. At the set time the alarm will go on buzzer sound.

### **Wake to Radio**

Press the SKIP+ / SKIP- button until “rad” is shown in the display. At the set time the alarm will go on at the radio station you last listened to.

### **Wake to CD**

Press the SKIP+ / SKIP- button until the “Cd” is shown in the display. This feature only works when you have a CD inserted in the CD drive. This CD will be played at the set alarm time

1. Press the ALARM button again to confirm your settings for Alarm 1.
2. The alarm icon (AL2) appears and the HOUR time is blinking.
3. Repeat step 2-5 in order to set Alarm 2.

To select which of the 2 alarms should be active, press the ALARM button repeatedly while the unit is in standby mode (clock display). The display will show consecutively the AL1 icon, the AL2 icon, the both Alarm icons. Press the ALARM button once again to deactivate the alarms (no alarm icon will be displayed).

### **SNOOZE FUNCTION**

If you want to snooze a few more minutes, press the SNOOZE button, it will deactivate the sound for 9 minutes and will shown “SNOOZE” on the LCD Display. To turn off the snooze function, press the STANDBY button.

### **Turning Off the Alarm:**

To switch off an alarm while active, press the STANDBY button, the alarm will reset for next day

### **RADIO OPERATION**

1. Press the STANDBY/FUNCTION button on the unit repeatedly, until the frequency shown on the display

OR, press the STANDBY button on the remote to turn on the unit, then press the FUNCTION button on the remote until the frequency shown on the display

How to use the buttons for radio

- Manual Tuning

- Press the SKIP+ / SKIP- button to search for desired frequency.

- Automatic Tuning

- i) Press and hold the SKIP+ / SKIP- button until the display frequency starts run.

- ii) When a station of sufficient strength has been found Tuning will stop or you can stop the automatic tuning by pressing SKIP+ / SKIP- button.

2. To switch off the radio, press the STANDBY button on the remote once OR press and hold the STANDBY/FUNCTION button on the unit, until the normal time shown on the display.

### **PRESET TUNING**

1. Select your desired station according to the normal tuning procedure.
2. Press the MEMORY button, “P01” will appear and flash in the LCD, Then use SKIP+ / SKIP- button to change the number where the station will be stored. (P01 to P20)
3. Store the current frequency by pressing MEMORY button again when you get the desired number.
4. Repeat the same procedure to set other desired frequencies into Memory No.1 to NO.20

Note: The unit can be preset up to 20 stations.

## **MEMORY RECALL**

Recall the stored frequencies by pressing M- or M+ button select 1 to 20 stations as desired

NOTE: As stored frequencies can only be stored for long time with the power supplying. The station you stored will be lost and can not be recalled in case that you cut off the power.

## **PLAYING A COMPACT DISC (CD)**

**NOTE:** Never touch the laser lens inside of the CD compartment. Clean the laser lens with a CD cleaner disc if it becomes dirty.

1. Press the STANDBY/FUNCTION button on the unit repeatedly, until the CD icon shown on the display  
OR, press the STANDBY button on the remote to turn on the unit, then press the FUNCTION button on the remote until the CD icon shown on the display
2. Open the CD DOOR and insert a CD into the tray with printed label side facing up.
3. Close the CD DOOR and the disc will rotate for a few seconds and then play automatically.
4. Use the SKIP+ / SKIP- button to choose a track
5. Press the PLAY/PAUSE BUTTON again to PAUSE play.
6. Press the STOP BUTTON to STOP play.
7. To turn off the unit, press the STANDBY button on the remote once OR press and hold the STANDBY/FUNCTION button on the unit, until the normal time shown on the display

## **REPEAT FUNCTION**

1. Press the MODE button once during playback, the  $\square$  sign will show on LCD Display. The same track will be repeated over and over.
2. Press the MODE button second time to repeat all tracks. The "ALL  $\square$ " sign will show on the LCD display.
3. To cancel REPEAT PLAY, Press the MODE button repeatedly until the all sign disappeared.

## **RANDOM PLAY**

1. IN CD Play mode, press the MODE button until "RAND" will appear on LCD Display.
2. Then it will enable random tracks play.
3. To cancel RANDOM PLAY, press the MODE button again, "RAND" will disappear on the display

## **REVERSE/FORWARD Skip & Search**

1. The SKIP- / SKIP+ buttons can be used to jump to a different track number or to scan disc tracks.
2. Press the SKIP- button once to listen the beginning of the current track. Press it two or more times to hear previous tracks on the disc.
3. Press the SKIP+ button to move to the next track on the disc.
4. Press and hold the SKIP- button, the current track will be scanned and move backwards to the previous track(s); when the desired track section is found, release the button and normal play will resume.
5. Press and hold the SKIP+ button, the current track will be scanned and move forward to the next track(s); When the desired track section is found, release the selected button and normal play will resume.

## **PROGRAM FUNCTION**

**The Program feature can be used to program up to 20 tracks to play in a selected order.**

1. While in the stop mode only (CD is not playing), press the PROG Button, LCD Display will show the wording "PROG" & "P01".
2. Press the SKIP+ / SKIP- button to allocate the desired track.
3. Press the PROG button to select and store the track into memory.
4. Repeat step 2 to 3 to select up to 20 tracks.
5. To play the selected tracks (in the program mode), press the PLAY/PAUSE button. The "PROG" appear on LCD Display.
6. Press the SKIP- button to hear the previous or press the SKIP+ button to hear next program track.

**Note:** After all of the programmed tracks have played, the CD player will return to the stop mode.

To clear the programmed tracks from memory, press STOP button until "PROG" disappear

## **SLEEP FUNCTON IN STANDBY ON MODE**

1. Tune in the desired radio station or CD play or AUX mode and adjust the volume control.
2. Press the SLEEP Button. The "90" will appear on the display.
3. Repeatedly press the SLEEP Button for desired sleep time between 90, 80, 70, 60, 50, 40, 30, 20, 10 minutes.
4. The unit will automatically switch off when the SLEEP time expires.

## **AUX INPUT JACK**

1. Press the STANDBY/FUNCTION button on the unit repeatedly, until the "AUX" shown on the display.  
OR, press the STANDBY button on the remote to turn on the unit, then press the FUNCTION button on the remote until the AUX icon shown on the display.
2. Connect the AUX connect wire from the out jack of your Personal Player such as portable MP3 player to the AUX input jack.
3. Play Start from your Personal Player.

## **HEADPHONE JACK**

This unit will accept stereo headphones with a  $\Phi$  3.5mm plug. Before connecting the headphones set the volume to minimum level as not to damage your ears or the headphones. Connect the headphones to the headphones jack. The speakers will be automatically disconnected.

Warning: Prolonged exposure to high sound levels may permanently damage your hearing. You may not hear some warning sound while wearing these headphones.





Electric and electronic equipment and included batteries contains materials, components and substances that can be hazardous to your health and the environment, if the waste material (discarded electric and electronic equipment and batteries) is not handled correctly.

Electric and electronic equipment and batteries is marked with the crossed out trash can symbol, seen below. This symbol signifies that electric and electronic equipment and batteries should not be disposed of with other household waste, but should be disposed of separately.

As the end user it is important that you submit your used batteries to the appropriate and designated facility. In this manner you make sure that the batteries are recycled in accordance with legislature and will not harm the environment.

All cities have established collection points, where electric and electronic equipment and batteries can either be submitted free of charge at recycling stations and other collection sites, or be collected from the households. Additional information is available at the technical department of your city.

Hereby, Denver A/S declares that the radio equipment type MCA-230MK2 is in compliance with Directive 2014/53/EU. The full text of the EU declaration of conformity is available at the following internet address: [www.denver.eu](http://www.denver.eu) and then click the search ICON on topline of website. Write modelnumber: mca-230mk2 Now enter product page, and red directive is found under downloads/other downloads

Operating Frequency Range: FM 87.5-108 MHz

Max Output Power: 6W

Denver A/S  
Omega 5A, Soeften  
DK-8382 Hinnerup  
Denmark  
[www.facebook.com/denver.eu](http://www.facebook.com/denver.eu)