



www.denver.eu

PLL FM ALARM CLOCK RADIO

Model: CR-419 MK2

Operating Instructions



BEFORE OPERATING THIS PRODUCT, READ, UNDERSTAND, AND FOLLOW THESE INSTRUCTIONS.

Be sure to save this booklet for future reference.

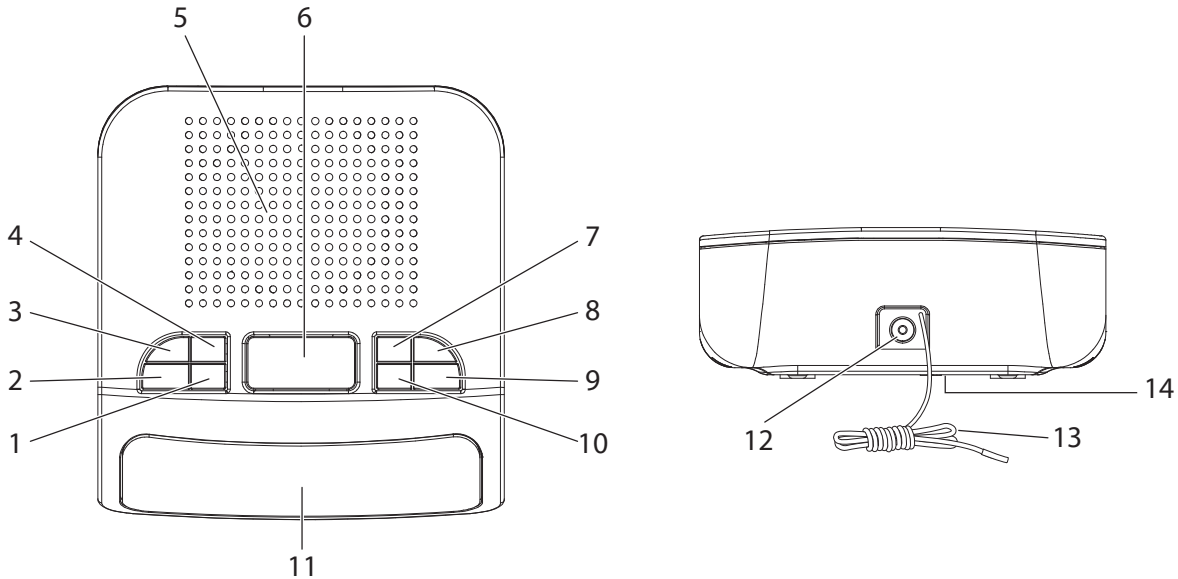
www.facebook.com/denver.eu

Safety information

Please read the safety instructions carefully before using the product for the first time and keep the instructions for future reference.

1. This product is not a toy. Keep it out of reach of children.
2. Keep product out of the reach of children and pets to avoid chewing and swallowing.
3. Never use old and new batteries or different types of batteries together. Remove the batteries when you are not using the system for a longer period of time. Check the polarity (+/-) of the batteries when inserting them in the product. Wrong positioning can cause an explosion. Batteries are not included.
4. Product operating and storage temperature is from 0 degree Celsius to 40 degree Celsius. Under and over this temperature might affect the function.
5. Never open the product. Touching the inside electrics can cause electric shock. Repairs or service should only be performed by qualified personnel.
6. Do not expose to heat, water, moisture, direct sunlight!
7. Please protect your ears against loud volume. Loud volume can damage your ears and risk in hearing loss.
8. The unit is not waterproof. If water or foreign objects enter the unit, it may result in fire or electric shock. If water or a foreign object enters the unit, stop use immediately.
9. Only use with supplied Adaptor. The direct plug-in adapter is used as disconnect device, the disconnect device shall remain readily operable. So, make sure there is space around the power outlet for easy access.
10. Do not use non original accessories together with the product as this can make the product functionality abnormal.

LOCATION OF CONTROLS



- | | |
|-------------------------------|--------------------------------|
| 1. ALARM 2/VOLUME+ BUTTON | 8. OFF/ON SWITCH |
| 2. ALARM 1/VOLUME- BUTTON | 9. FORWARD/MINUTE BUTTON |
| 3. TIME SET/ SLEEP SET BUTTON | 10. REVERSE/HOUR BUTTON |
| 4. PRESET BUTTON | 11. LED DISPLAY |
| 5. SPEAKER | 12. DC JACK |
| 6. SNOOZE BUTTON | 13. ANTENNA |
| 7. MEMORY BUTTON | 14. BACKUP BATTERY COMPARTMENT |

UNIT POWER SUPPLY

This unit is designed to operate with AC/DC 5V Adaptor.

Insert the small plug of adaptor into the DC Jack.

Insert the AC/DC adaptor into any convenient having 230-240V~AC, 50Hz household outlet in vertical or horizontal direction.

Manufacturer's name or trade mark, commercial registration number and address	DongGuan Obelieve Electronic Co.,Ltd 91441900050747698U Huazhaoxin Industrial Park B-4/F, Golden Phoenix Industrial Zone, FengGan Town, DongGuan, GuangDong Province,P.R.C
Model identifier	0BL-0500250E / 0BL-0500250B
Input voltage	100-240V
Input AC frequency	50/60HZ
Output voltage	5.0V
Output current	0.25A
Output power	1.25W
Average active efficiency	73.17%
Efficiency at low load (10%)	--
No-load power consumption	0.035W

TO SET THE TIME

Long Press TIME SET/ SLEEP SET button to trigger TIME SET MODE and display will start blinking. Press the REVERSE/HOUR button to set the Hour and the FORWARD/MINUTE button to set the Minute.

NOTES:

- Keep pressing the REVERSE/HOUR button or the FORWARD/MINUTE button if you run past the correct time.
- Time is displayed in 24 hours mode.

TO SET THE ALARM

When device is “STANDBY OFF” mode,

- Press ALARM 1/VOLUME- button to turn Alarm 1 on or off. This is indicated by the Light next to the Alarm 1 in display.
- Long press ALARM 1/VOLUME- button to set alarm 1’s time. When the time display is blinking after the long press, press the REVERSE/HOUR button to set the HOUR and the FORWARD/MINUTE button to set the MINUTE.

Note: This is the same as setting up Alarm 2.

TO TURN OF THE ALARM

During “STANDBY OFF” mode,

- Press the ALARM 1/VOLUME- button to turn Alarm 1 off.
- The Light Indicator of Alarm 1 will disappear.

Note: This is the same as setting up Alarm 2.

TO PLAY THE RADIO

1. Press the ON/OFF switch to the “STANDBY ON”
2. Use the REVERSE/HOUR button and the FORWARD/MINUTE button to adjust the radio frequency as instructed above.
3. Use the ALARM 1/VOLUME - button and the ALARM 2/VOLUME + button to adjust the volume as instructed above.

TO WAKE UP TO RADIO/BUZZER

1. For alarm 1, set the alarm as previously instructed.
2. After setting the time, press again the ALARM 1/VOLUME- button and the radio frequency is shown.
 - Use the REVERSE/HOUR button and the FORWARD/MINUTE button to choose to wake up from Radio (displayed as frequency) or Buzzer (displayed as BU)
3. Press the ALARM 1/VOLUME- button again to exit the ALARM SETTING MODE.

Note: This is the same as Alarm 2.

SLEEP CONTROL

1. Press the ON/OFF switch to the “STANDBY ON”
2. Press the TIME SET/SLEEP SET button to choose the Device-Sleep time from 90 to 10 minutes (10 minutes interval).
3. Device will turn off after the displayed minutes from 90 to 10 minutes.
4. To turn this off press the TIME SET/SLEEP SET button until the display shows “OFF”.

TO SNOOZE

When you are awakened by buzzer but wish to sleep a few to sleep a few minutes more, simply touch the “snooze” button and it will shut off the buzzer for 9 minutes before the music or buzzer sounds again. This can be repeated.

TO LISTEN TO PRESET STATIONS

1. Set your desired frequency to be ready as a PRESET STATION.
2. Press the MEMORY button to enter PRESET SETUP MODE.
3. P01 will blink and press again the MEMORY button to set the current frequency as P01.
4. Repeat step 2 and step 3 until PRESET stations from P01 to P10 is setup.
5. Press the PRESET button listen to preset station P01.
6. Press again the PRESET button to move on to preset station P02, and do the same to reach other preset stations.
7. To change the preset stations repeat the steps above
8. To restore default setup eliminate the power source of the device.

BATTERY BACK-UP

Your clock has a battery back up feature in case of power failure. 2 AAA batteries (not included) is required. You must put in the batteries to ensure the battery back up feature is ready in case of power failure. If power fails, the back up battery will automatically continue operation of the clock and maintain actual time. However, the display will not be lighted. During actual power failure the alarm function will not be operational. When electrical power is restored, the display will light up again and alarm time set previously is restored. The battery will maintain timekeeping for approximately 8 hours during power failure or interruption.

Note: Remove the battery if the clock is to be unplugged for a long time avoid unnecessary battery drain.

ALL RIGHTS, COPYRIGHT DENVER A/S



Electric and electronic equipment contains materials, components and substances that can be hazardous to your health and the environment, if the waste material (discarded electric and electronic equipment) is not handled correctly.

Electric and electronic equipment is marked with the crossed out trash can symbol, seen below. This symbol signifies that electric and electronic equipment should not be disposed of with other household waste, but should be disposed of separately.

All cities have established collection points, where electric and electronic equipment can either be submitted free of charge at recycling stations and other collection sites, or be collected from the households. Additional information is available at the technical department of your city.

Hereby, Inter Sales A/S declares that the radio equipment type CR-419mk2 is in compliance with Directive 2014/53/EU. The full text of the EU declaration of conformity is available at the following internet address. Please enter: www.denver.eu and then click the search ICON on topline of website. Write modelnumber: cr-419mk2

Now enter product page, and red directive is found under downloads/other downloads.

Operating Frequency Range: FM 87.5-108 MHz

Max Output Power: 1.25W

DENVER A/S
Omega 5A, Soeften
DK-8382 Hinnerup
Denmark
www.facebook.com/denver.eu