



**TURNTABLE WITH STEREO RADIO/  
PLADESPILLER MED STEREO RADIO/ PLATENSPELER MET STEREO RADIO/  
LEVYSOITIN JA STEREO RADIO/ TOURNE-DISQUE AVEC RADIO STÉRÉO/  
PLATTENSPIELER MIT STEREO RADIO/ GIRADISCHI CON RADIO STEREO/  
GRAMOFON Z RADIEM STEREO/ GIRA-DISCOS COM RÁDIO ESTÉREO/  
TOCADISCOS CON RADIO ESTÉREO/ SKIVSPELARE MED STEREO RADIO/  
PLATESPILLER MED STEREO RADIO**

## **VPR-190MK2**



**INSTRUCTION MANUAL/ BRUGERVEJLEDNING/ GEBRUIKSHANDLEIDING/  
KÄYTTÖOPAS/ GUIDE D'UTILISATION/ BEDIENUNGSANLEITUNG/  
MANUALE D'USO/ INSTRUKCJA OBSŁUGI/ MANUAL DO UTILIZADOR/  
MANUAL DE USUARIO/ ANVÄNDARMANUAL/ BRUKSANVISNING**

**ALLE RETTIGHETER FORBEHOLDES, OPPHAVSRETT DENVER A/S**



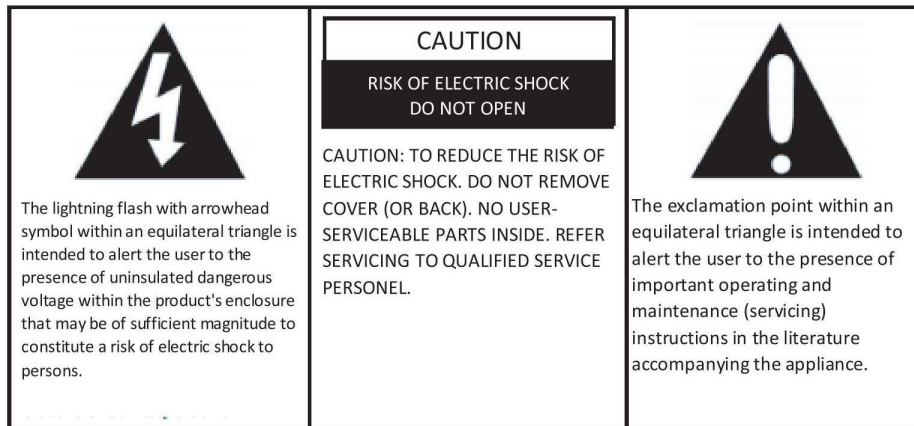
[www.denver.eu](http://www.denver.eu)

[facebook.com/denver.eu](https://facebook.com/denver.eu)

# SAFETY INFORMATION

Please read the safety instructions carefully before using the product for the first time and keep the instructions for future reference.



TO PREVENT FIRE OR SHOCK HAZARD, DO NOT USE THIS PLUG WITH AN EXTENSION CORD, RECEPTACLE OR OTHER OUTLET UNLESS THE BLADES CAN BE FULLY INSERTED TO PREVENT BLADE EXPOSURE. TO PREVENT FIRE OR SHOCK HAZARD, DO NOT EXPOSE THIS APPLIANCE TO RAIN OR MOISTURE.



1. This product is not a toy. Keep it out of reach of children.
2. Keep product out of the reach of children and pets to avoid chewing and swallowing.
3. Product operating and storage temperature is from 0 degree Celsius to 40 degree Celsius. Under and over this temperature might affect the function.
4. Never open the product: the device may contain parts with deadly voltage.
5. Repairs or service should only be performed by qualified personnel.
6. Please notice that the standby button on the remote control only put the unit in standby.
7. The direct plug-in adapter is used as disconnect device, the disconnect device shall remain readily operable. So make sure there is space around the power outlet for easy access.
8. Do not expose to heat, water, moisture, direct sunlight!
9. Clean only with dry cloth.
10. Do not block any ventilation openings. Install in accordance with these instructions.
11. Do not install near any heat sources such as radiators, heat registers, stoves, or other apparatus (including amplifiers) that produce heat.
12. Protect the power cord from being walked on or pinched particularly at plugs, convenience receptacles, and the point where they exit from the apparatus.
13. Only use accessories supplied with the product.
14. Unplug this apparatus during lightning storms or when unused for long periods of time.
15. This lightning flash with arrowhead symbol within an equilateral triangle is intended to alert the user to the presence of non-insulated "dangerous voltage" within the product's enclosure that may be of sufficient magnitude to constitute a risk of electric shock. To reduce the risk of electric shock, do not remove cover (or back) as there are no user-serviceable parts inside. Refer servicing to qualified personnel.

# WARNING

TO PREVENT FIRE OR SHOCK HAZARD, DO NOT USE THIS PLUG WITH AN EXTENSION CORD, RECEPTACLE OR OTHER OUTLET UNLESS THE BLADES CAN BE FULLY INSERTED TO PREVENT BLADE EXPOSURE. TO PREVENT FIRE OR SHOCK HAZARD, DO NOT EXPOSE THIS APPLIANCE TO RAIN OR MOISTURE.

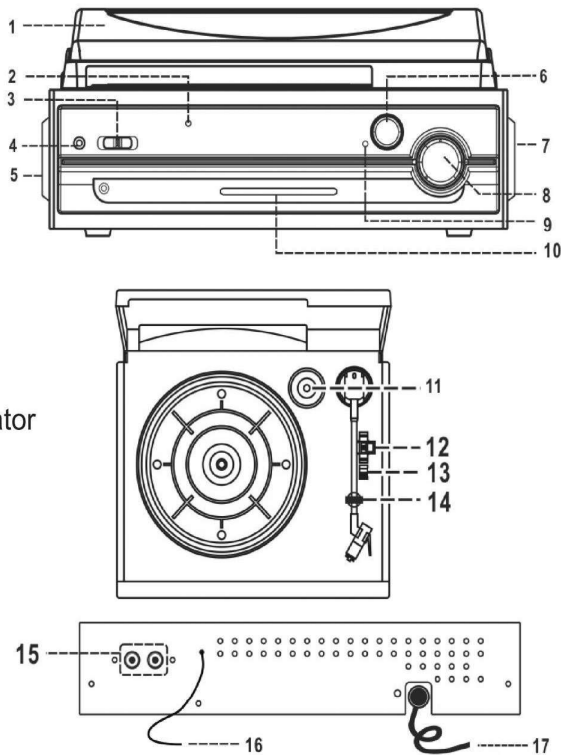
 <p>The lightning flash with arrowhead symbol within an equilateral triangle is intended to alert the user to the presence of uninsulated dangerous voltage within the product's enclosure that may be of sufficient magnitude to constitute a risk of electric shock to persons.</p>	<p><b>CAUTION</b> RISK OF ELECTRIC SHOCK DO NOT OPEN</p> <p>CAUTION: TO REDUCE THE RISK OF ELECTRIC SHOCK, DO NOT REMOVE COVER (OR BACK). NO USER-SERVICEABLE PARTS INSIDE. REFER SERVICING TO QUALIFIED SERVICE PERSONEL.</p>	 <p>The exclamation point within an equilateral triangle is intended to alert the user to the presence of important operating and maintenance (servicing) instructions in the literature accompanying the appliance.</p>
--	--	--

## IMPORTANT SAFETY INSTRUCTIONS

1. Read these instructions
2. Keep these instructions
3. Heed all warnings.
4. Follow all instructions.
5. Do not use this apparatus near water.
6. Clean only with dry cloth.
7. Do not block any ventilation openings. Install in accordance with these instructions.
8. Do not install near any heat sources such as radiators, heat registers, stoves, or other apparatus (including amplifiers) that produce heat.
9. Protect the power cord from being walked on or pinched particularly at plugs, convenience receptacles, and the point where they exit from the apparatus.
10. Only use attachments/accessories specified by the manufacturer.
11. Unplug this apparatus during lightning storms or when unused for long periods of time.
12. Refer all servicing to qualified service personnel. Servicing is required when the apparatus has been damaged in any way, such as power-supply cord or plug is damaged, liquid has been spilled or objects have fallen into the apparatus, the apparatus has been exposed to rain or moisture, does not operate normally, or has been dropped.
13. This appliance shall not be exposed to dripping or splashing water and that no object filled with liquids such as vases shall be placed on the apparatus.
14. Do not overload wall outlet. Use only power source as indicated.

## LOCATION OF CONTROLS

- 1) Dust Cover
- 2) Power LED Indicator
- 3) Function Switch
- 4) 3.5mm Aux In Jack
- 5) Left Speaker
- 6) Tuning Knob
- 7) Right Speaker
- 8) Power ON-OFF/Volume Control Knob
- 9) FM Stereo indicator
- 10) FM Frequency Pointer with LED Indicator
- 11) 45 RPM Record Adaptor
- 12) Turntable Speed Selector
- 13) Auto Stop Switch
- 14) Tone Arm Rest/Holder
- 15) Line Out Sockets (L/R)
- 16) FM Wire Antenna
- 17) AC Power Cord



### CONNECTION

1. Connect the power cord to an AC outlet.
2. Turn on the unit by the POWER/VOL knob (9) and the power LED indicator (3) lights up. Your system is now ready to play your music. Please refer to the Operations section of this Manual for details.

# OPERATIONS

## LISTENING TO RADIO

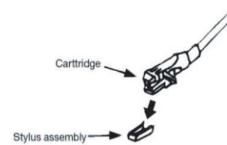
### MANUAL TUNING

1. Turn on the unit by the POWER/VOL knob (9) and slide the Function switch (4) to the TUNER position.
2. Turn the TUNING knob (7) to tune to a radio station. The FM frequency pointer (11) indicates the current FM frequency.
3. Adjust the POWER/VOL knob (9) to change volume level.

## STEREO PHONOGRAPH OPERATION

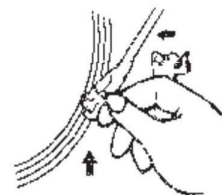
### Before First Use:

- Remove the stylus protector.
- Make sure that the tone arm is unlocked and free to move from the tone arm rest prior to operating. Lock the tone arm again when not in use.



	EN
	Cartridge
	Stylus assembly

1. Slide the Function switch (4) to the PHONO position.
2. Raise the turntable dust cover.
3. Place the record on the platter. Use the 45 RPM record adaptor (12) if you are playing 45 RPM records.
4. Set the speed selector (13) to the proper position for the record you are playing.
5. Lift the tone arm from the rest (15) and slowly move it over the record. The platter begins spinning.
6. Place the tone arm down onto the record, in a particular position that you want to play.
7. Adjust the POWER/VOL knob (9) to change volume.
8. When the tone arm reaches the end of the record, the play automatically stops.
9. To stop playing manually, lift the tone arm from the record and return it to the rest.



**NOTE:** Some types of records may have an auto-stop area outside the preset limit, so the turntable may stop before the last track finishes. In this case, set the AUTO-STOP switch to the "OFF" position. This allows the record to play to the end, but please note that it will not stop automatically. You must manually raise the tone arm and place it back in the rest and then turn off the power to stop the turntable from spinning.

### **AUX-IN CONNECTION**

You can listen to an external audio device through this unit.

With a 3.5mm audio cable (not included), connect the AUX-IN jack (5) on this unit to audio output on an external device such as Disc/MP3 player.

1. Slide the Function switch (4) to the AUX position.
2. Start to play your external audio device.
3. Adjust the POWER/VOL knob (9) to change volume.

### **LINE OUT CONNECTION**

You can output audio from this unit to an external audio system.

With a RCA cable (not included), connect the LINE OUT sockets (16) on this unit to audio input on an external device such as Hi-Fi/amplifier system.

**Note:** Volume control by the POWER/VOL knob (9) is invalid when using the LINE OUT feature.

Please notice - All products are subject to change without any notice. We take reservations for errors and omissions in the manual.

ALL RIGHTS RESERVED, COPYRIGHT DENVER A/S



Electric and electronic equipment contains materials, components and substances that can be hazardous to your health and the environment, if the waste material (discarded electric and electronic equipment) is not handled correctly.

Electric and electronic equipment is marked with the crossed out trash can symbol, seen above. This symbol signifies that electric and electronic equipment should not be disposed of with other household waste, but should be disposed of separately.

All cities have established collection points, where electric and electronic equipment can either be submitted free of charge at recycling stations and other collection sites, or be collected from the households. Additional information is available at the technical department of your city.

Hereby, DENVER A/S declares that the radio equipment type VPR-190 is in compliance with Directive 2014/53/EU. The full text of the EU declaration of conformity is available at the following internet address: [www.denver-electronics.com](http://www.denver-electronics.com) and then click the search ICON on topline of website. Write modelnumber: [VPR-190MK2](#). Now enter product page, and red directive is found under downloads/other downloads

Operating Frequency Range: 88 – 108 MHz  
Max Output Power: 8W

DENVER A/S  
Omega 5A, Soeften  
DK-8382 Hinnerup  
Denmark  
[www.facebook.com/denver.eu](https://www.facebook.com/denver.eu)

# Contact

## Nordics

Headquarter  
DENVER A/S  
Omega 5A, Soeften DK-  
8382 Hinnerup Denmark

Phone: +45 86 22 51 00 (Push  
“ 2” for support)

E-Mail  
For technical questions,  
please write to: [support@denver.eu](mailto:support@denver.eu)

For all other questions please  
write to: [intersales@denver.eu](mailto:intersales@denver.eu)

---

## Benelux/France

INTER SALES BENELUX B.  
V.Barwoutswaarder 13C+D  
3449 HE Woerden  
The Netherlands

Phone: +31 348 420 029

E-Mail: [support-nl@denver.eu](mailto:support-nl@denver.eu)

---

## Spain/Portugal

INTER SALES SPAIN S.A  
C/ Moscú, 1 Pol.Ind.Mas de Tous  
46185 La Pobla de Vallbona  
Valencia (Spain)

Spain  
Phone: +34 960 046 883  
Mail: [serviciotecnico.denver@denver.eu](mailto:serviciotecnico.denver@denver.eu)

Portugal:  
Phone: +35 1255 240 294  
E-Mail: [denver.service@satfiel.com](mailto:denver.service@satfiel.com)

## Germany

Inter Sales GmbH Service  
Gutenbergstrasse 1  
94036 Passau

Phone: +49 851 379 369 40

E-Mail  
[service-germany@denver.eu](mailto:service-germany@denver.eu)

Fairfixx GmbH  
Repair and service  
Rudolf-Diesel-Str. 3 TOR 2  
53859 Niederkassel

(for TV, E-Mobility/Hoverboards/  
Balanceboards, Smartphones & Tablets)

Tel.: +49 851 379 369 69  
E-Mail: [denver@fairfixx.de](mailto:denver@fairfixx.de)

---

## Austria

Lurf Premium Service GmbH  
Deutschstrasse 1  
1230 Wien

Phone: +43 1 904 3085  
E-Mail: [denver@lurfservice.at](mailto:denver@lurfservice.at)

---

If your country is not listed above,  
please write an email to  
[support@denver.eu](mailto:support@denver.eu)



DENVER A/S  
Omega 5A,  
SoeftenDK-  
8382  
Hinnerup  
Denmark  
[denver.eu](http://denver.eu)