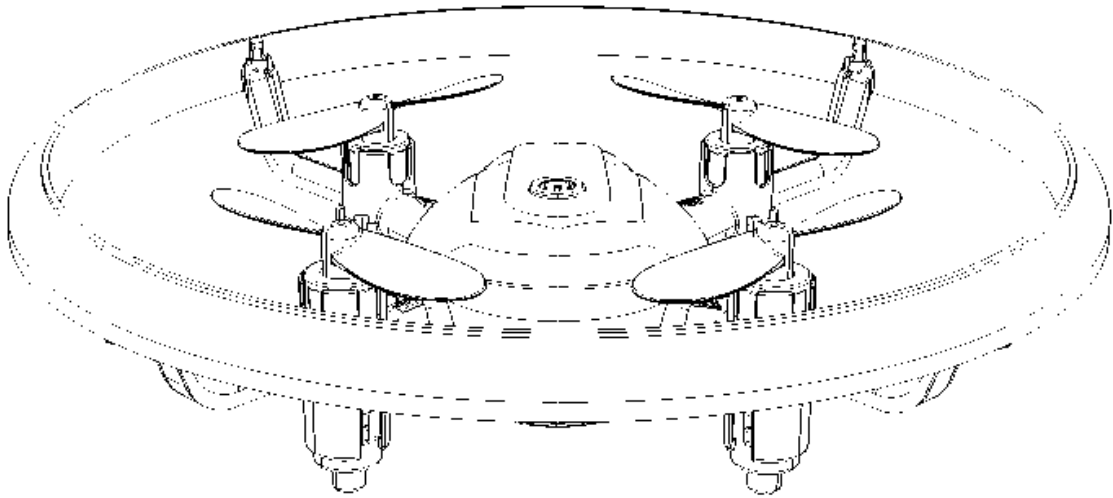


# AUTO HOVER FUNCTION

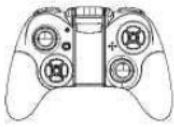
## 4-AXIS DRONE

### DENVER DRO-121

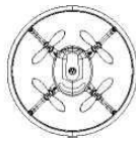


Thank you for choosing this product.  
Please read this manual carefully before flying.  
Retain this manual for future reference.  
The images are for reference only.

# CONTENTS



- Remote control X1



- Quadcopter X1



- Protective guard x 2



- USB charger X1



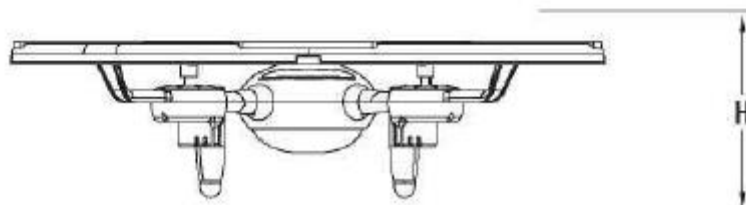
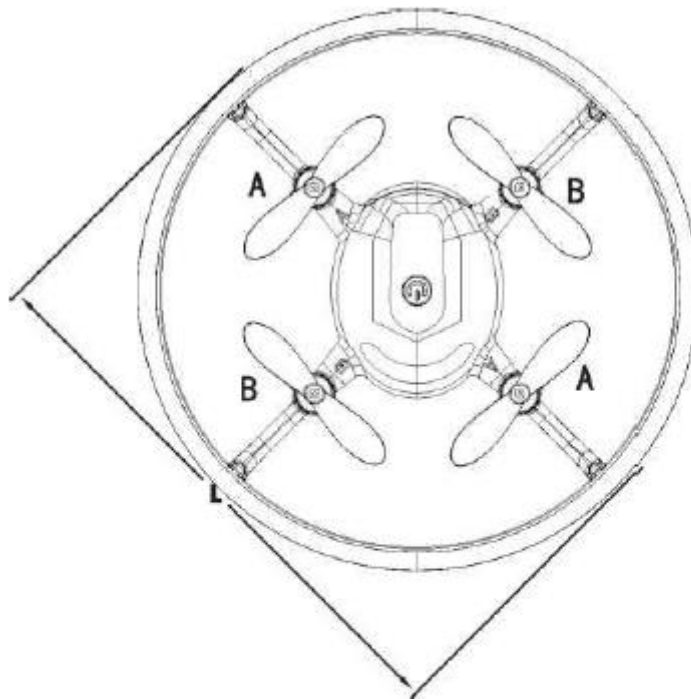
- Instruction manual X1



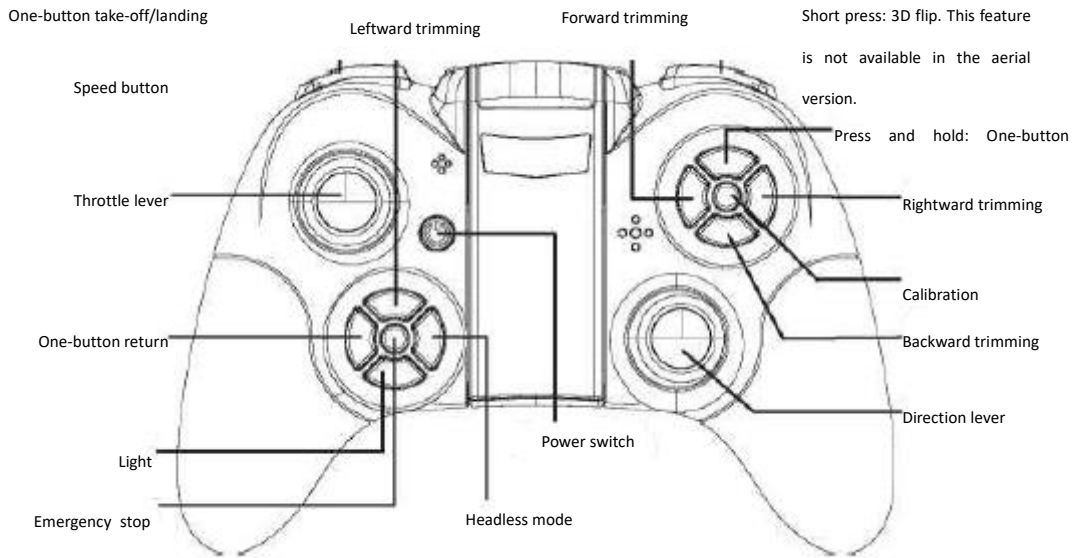
- 3.7V 350mAh Lithium battery X1
- 3.7V 350mAh



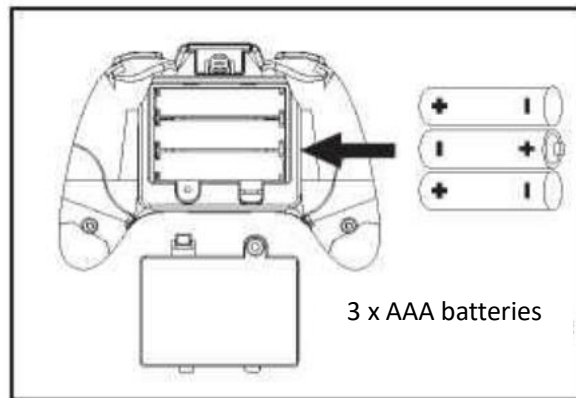
- Propellers X4
- Screwdriver X1



## CONTROLS




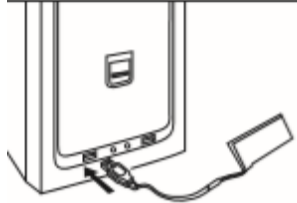
## REMOTE CONTROL BATTERY INSTALLATION



- 1: Use a screwdriver to remove the battery cover.
- 2: Install 3 x AAA batteries.
- 3: Replace the battery cover.

Note: Please follow the above illustration to install the batteries correctly.

## AIRCRAFT BATTERY CHARGING

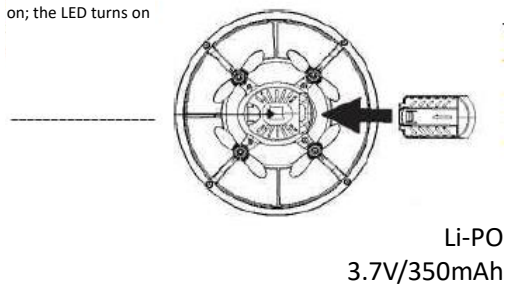
	<p>Insert the battery connector to the small end of the USB charger (ensure to connect tight and correct).</p>
	<p>Use the USB charger to charge the aircraft battery pack. Charging time: about 60 minutes. When the battery is charged completely, disconnect the USB charger.</p>

### LED indicator USB

When the LED turns off the battery is charging. When the LED lights up, charging is completed. Charging must be supervised at all times.

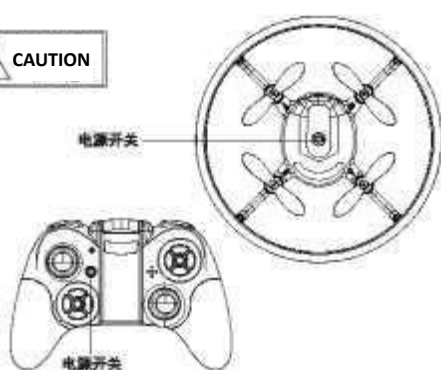
## PAIRING TRANSMITTER AND RECEIVER

Press once to switch on; the LED turns on



### Step 1

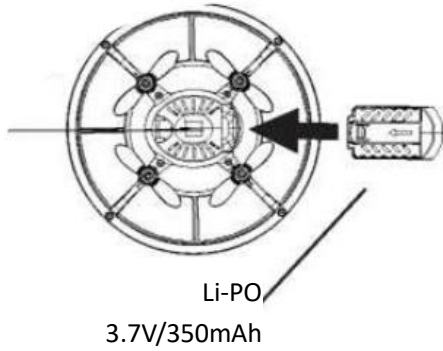
Set up the drone level and insert the Li-Po battery as shown in the illustration. Switch the drone on and do not move it until the LED changes from fast to slow flashing. Now the remote control can be paired with the drone.



### Step 2

Turn on the drone first, then the controller. The controller will emit a beep tone when it is turned on.

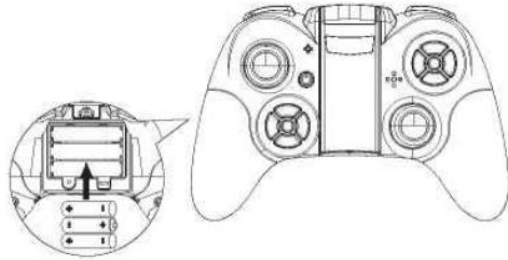
The LED of the drone will change from flashing to solid, indicating that the controller and the drone are now paired.



### Step 3

Remove the drone's battery after flight. Develop correct habits so as not to cause security risks.

Warning: If the battery is not removed from the drone for long period of time, it may be damaged due to over-discharge, or even become a fire hazards.



### Step 4

Turn off the transmitter. If transmitter is not to be used for a longer period of time, remove the batteries for storage.

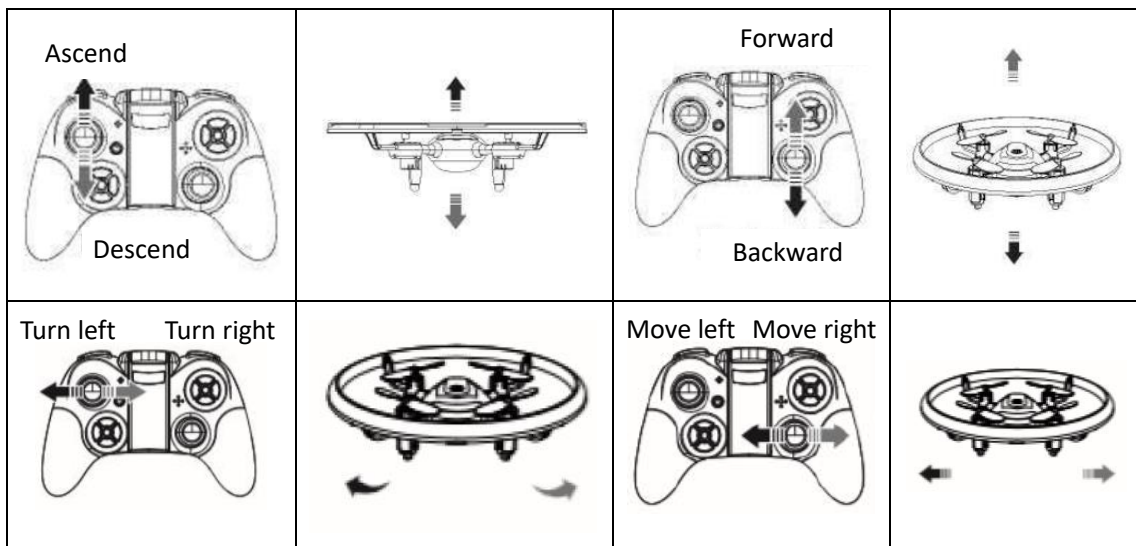
Warning: If the AAA batteries are left in the transmitter, potential leakage may occur which may damage the transmitter, and create fire hazards.

If the transmitter is not to be used for a longer period of time, remove the battery for storage.

## FLIGHT ADJUSTMENT AND SETTING

Read all instructions carefully before flying.

1. Place the aircraft in an open field with the tail pointing in your direction.
2. Practice to operate the throttle stick (as below illustration).



## TRIM

Slowly raise the throttle to lift off. If it tends to different direction, use the Trim button for correction.

Forward and backward trim.

1. When the aircraft is starting to take off and it drifts forward/backward.

When drifting forward, adjust the Trim button to rear until it is balanced  
When drifting backward, adjust the Trim button to forward until it is balanced.

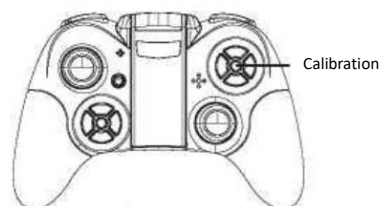
Leftward and rightward trim

2. When the aircraft is starting to take off and it drifts left /right.  
When drifting leftwards, adjust the Trim button to the right until it is balanced.  
When drifting rightwards, adjust the Trim button to the left until it is balanced.

## RECALIBRATION

If the trim buttons do not correct the problem, place the drone on a flat surface and recalibrate as follows.

Press the calibration button; the LED on the drone will start flashing. Wait until the indicator stops flashing. It is now completed.



## HEADLESS MODE

When syncing, the antenna of the transmitter must be aligned the tail of the quadcopter.  
In normal flight, when pressing the headless button, two beep tones are emitted and the LED flashes. Press this button again, to exit headless mode; a beep tone is emitted.

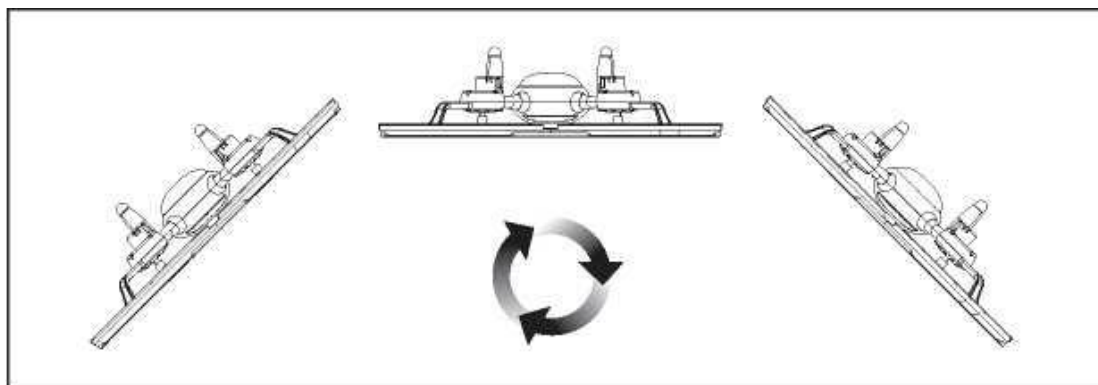
## ONE-BUTTON RETURN

When the quadcopter is flying far away, one-button return can recall the quadcopter. After pairing the quadcopter, the antenna of the transmitter must be aligned with the tail of the quadcopter at take off. Press the one-button return button to access return mode; the LED flashes. Press the button again to exit return mode. When returning, the forward and backward movement of right joystick will interrupt this function.

## HIGH SPEED AND LOW SPEED

The default speed is low speed. Press the button to switch to medium speed, press again to switch to high speed.

### 3D FLIP

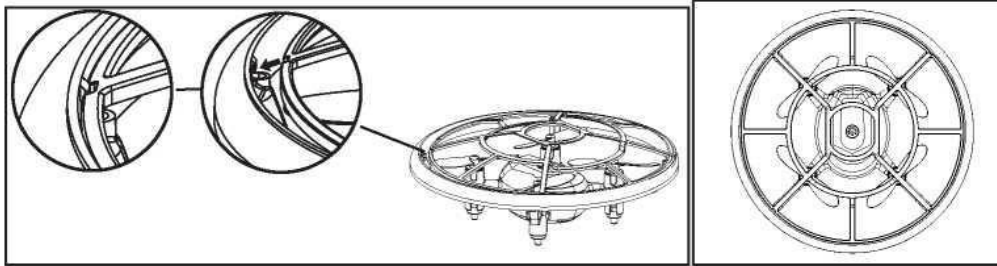


When you are familiar with basic flight operations, you can do some awesome and exciting tricks and stunts! First of all, fly the aircraft to a height of more than 3 meters, press the 3D button on the rear right side of the transmitter, then push the right rudder (in any direction) to make 360 degree flip.

(Important Note: Remove the connector of the camera when flying 3D flips)

## PROPELLER GUARD INSTALLATION

Install the propeller guard to the four frame clamps as shown below:



**WARNING!**

Lithium battery inside.

Please notice - All products are subject to change without any notice. We take reservations for errors and omissions in the manual.

ALL RIGHTS RESERVED, COPYRIGHT DENVER ELECTRONICS A/S

# DENVER®

[www.denver-electronics.com](http://www.denver-electronics.com)



Electric and electronic equipment and included batteries contains materials, components and substances that can be hazardous to your health and the environment, if the waste material (discarded electric and electronic equipment and batteries) is not handled correctly.

Electric and electronic equipment and batteries is marked with the crossed out trash can symbol, seen above. This symbol signifies that electric and electronic equipment and batteries should not be disposed of with other household waste, but should be disposed of separately.

As the end user it is important that you submit your used batteries to the appropriate and designated facility. In this manner you make sure that the batteries are recycled in accordance with legislature and will not harm the environment.

All cities have established collection points, where electric and electronic equipment and batteries can either be submitted free of charge at recycling stations and other collection sites, or be collected from the households. Additional information is available at the technical department of your city.

Hereby, Inter Sales A/S declares that the radio equipment type DRO-121 is in compliance with Directive 2014/53/EU. The full text of the EU declaration of conformity is available at the following internet address: [www.denver-electronics.com](http://www.denver-electronics.com) and then click the search ICON on topline of website. Write model number: DRO-121. Now enter product page, and RED directive is found under downloads/other downloads.

Operating Frequency Range:

Max Output Power:



DENVER ELECTRONICS A/S

Omega 5A, Soeften

DK-8382 Hinnerup

Denmark

[www.facebook.com/denverelectronics](http://www.facebook.com/denverelectronics)