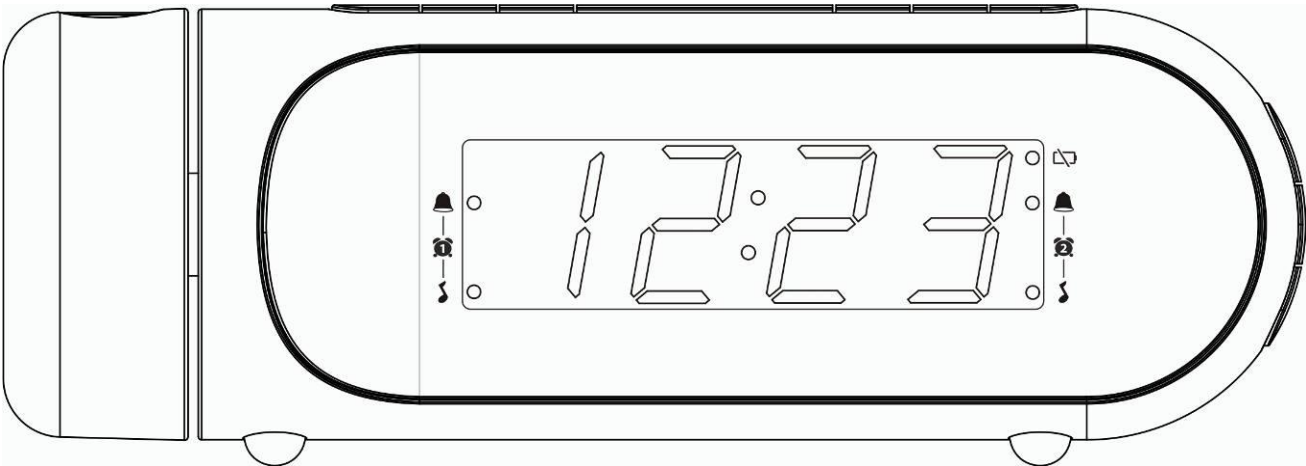
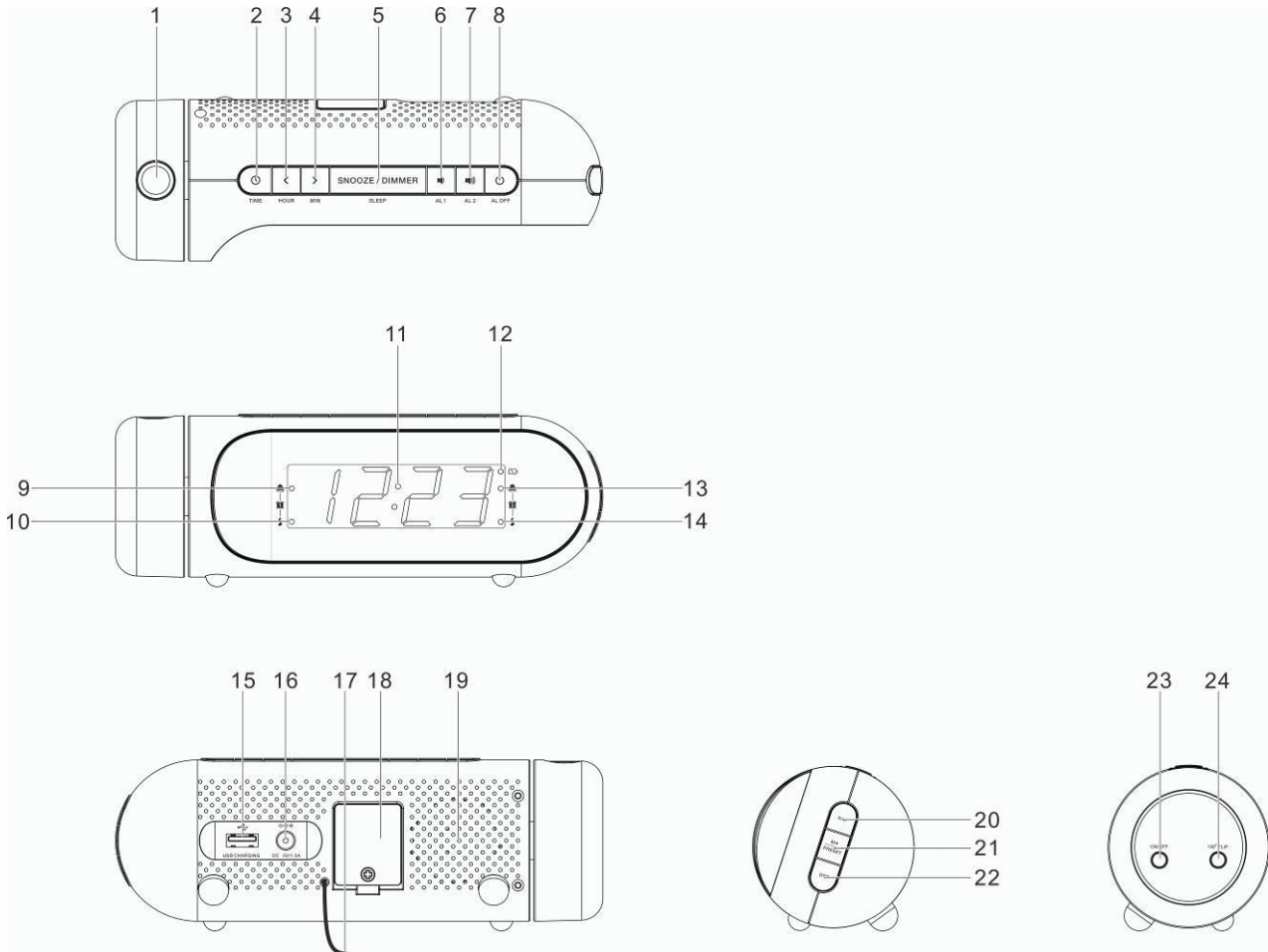


# DENVER®

Clock radio  
User manual

DENVER CPR-700





1. Projector lens
2. TIME button
3. < BACK / HOUR button
4. > FORWARD / MIN button
5. SNOOZE / SLEEP / DIMMER button
6. ALARM 1 / VOL DOWN button
7. ALARM 2 / VOL UP button
8. POWER / ALARM OFF button
9. Alarm 1 indicator (alarm)
10. Alarm 1 indicator (radio)
11. Display
12. BATT LOW (Low back-up battery warning indicator)
13. Alarm 2 indicator (alarm)
14. Alarm 2 indicator (radio)
15. USB charging port
16. DC IN jack
17. Antenna
18. Battery compartment
19. Speaker
20. NAP button
21. PRESET/M+ button
22. DST button
23. PROJECTOR ON/OFF button
24. 180° FLIP button

## Connecting to power

1. Connect the cord of the power adapter to the DC IN jack of the radio.
2. Connect the plug of the power adapter to a wall socket.  
The radio is powered and in standby mode when you see the display is switched on.

## Backup system

- The radio is equipped with a backup system. It requires a 3 V lithium battery (type: CR2032).
- If a power cut occurs, the radio automatically switches to battery power and keeps the clock and timer settings (only backup, it will not show time and alarm).

## Setting the clock

In standby mode, press and hold the TIME button to enter the clock setting mode.

- **Setting the time:** Press the BACK button to set the hours and press the FORWARD button to set the minutes.
- Press the TIME button to confirm each setting option.

## Listening to radio

1. Press the POWER button to switch the radio on.
2. Press the BACK or FORWARD buttons to adjust the frequency.
3. Press and hold the BACK or FORWARD buttons to automatically tune into the next available FM station.
4. Press the POWER button to switch the radio off.

\*\* Unroll and extend the antenna to improve FM signal reception.

## Setting preset stations

You can store up to 10 preset stations.

1. Tune to a station.
2. Press and hold the PRESET/M+ button until "P01" (or the next available preset slot) shows on the display.
3. Press the BACK or FORWARD buttons to select a preset number (P01-P10).
4. Press the PRESET/M+ button to confirm. The preset station has been set.
5. Press the PRESET/M+ button repeatedly while listening to the radio to select a preset station. Alternatively, press the PRESET/M+ button once and then press the BACK or FORWARD button to select a preset station.

## Using the alarms

### Setting alarms

The radio lets you set 2 different alarm. To set the alarms:

1. In standby mode, press and hold the ALARM 1 or ALARM 2 buttons to enter the alarm time setting mode.
2. In alarm setting mode, press the ALARM 1 or ALARM 2 buttons repeatedly to cycle through the setting options:

Alarm time > Alarm source
---------------------------

- **Setting alarm time:** Press the BACK button to set the hours and press the FORWARD button to set the minutes.
- **Setting the alarm source:** Press the BACK or FORWARD buttons to select alarm or radio as the alarm source. The corresponding alarm indicator will turn on.

Once the alarm setting is done, the alarm will be automatically activated with the corresponding alarm indicator (alarm or radio) switched on.

## Turning the alarms on or off

When the clock time is displayed, press the ALARM 1 or ALARM 2 buttons to enable or disable the respective alarm. The corresponding Alarm 1 or Alarm 2 indicator (alarm or radio) will switch on when the alarm is enabled.

## Deactivating a sounding alarm

- Press the ALARM OFF button to switch off a sounding alarm.
- When the alarm sounds, the corresponding Alarm 1 or Alarm 2 indicator (alarm or radio) flashes on the display.

## Snooze

- To temporarily silence a sounding alarm, press the SNOOZE button. The alarm will sound again when the snooze period (9 minutes) is over.
- The corresponding Alarm 1 or Alarm 2 indicator (alarm or radio) flashes on the display during the snooze period.
- To cancel the snooze period and the alarm, press the ALARM OFF button.

## Sleep timer

- This sleep function defines the duration of time before the radio switches off automatically.
- When the radio is switched on, press the SLEEP button repeatedly to select a sleep period (Options: 90, 80, 70, 60, 50, 40, 30, 20, 10 minutes and Off).
- The radio will automatically switch off when the sleep period is over.
- Press the SLEEP button to check the remaining time before the radio switches off.
- Press the POWER button to cancel this function.

## Display brightness

Press the DIMMER button to change the brightness level (low, high or off).

## Daylight saving time (DST)

Press and hold the DST button to activate daylight saving time when it is in force in your area. Press and hold the DST button to deactivate this function.

## Projector

Press the PROJECTOR ON/OFF button to project the current time on wall or ceiling. Rotate the projector (up to 180°) to adjust the projection angle.

Press the 180° FLIP button to flip the projected image.

NOTE: PROJECTS TIME IMAGE ON THE CEILING OR WALL OF A DARKENED ROOM. PROJECTION RANGE IS 90 - 270 CM.

## **Built-in USB charger to charge external devices**

Connect an external device (e.g. smartphone, MP3 player) via USB cable (not provided) to the USB jack on the back of the radio for charging. The radio cannot access the contents in the connected external device.

Please notice - All products are subject to change without any notice. We take reservations for errors and omissions in the manual.

ALL RIGHTS RESERVED, COPYRIGHT DENVER ELECTRONICS A/S

**DENVER**<sup>®</sup>

[www.denver-electronics.com](http://www.denver-electronics.com)



Electric and electronic equipment contains materials, components and substances that can be hazardous to your health and the environment, if the waste material (discarded electric and electronic equipment) is not handled correctly.

Electric and electronic equipment is marked with the crossed out trash can symbol, seen above. This symbol signifies that electric and electronic equipment should not be disposed of with other household waste, but should be disposed of separately.

All cities have established collection points, where electric and electronic equipment can either be submitted free of charge at recycling stations and other collection sites, or be collected from the households. Additional information is available at the technical department of your city.

Hereby, Inter Sales A/S declares that the radio equipment type CPR-700 is in compliance with Directive 2014/53/EU. The full text of the EU declaration of conformity is available at the following internet address: [www.denver-electronics.com](http://www.denver-electronics.com) and then click the search ICON on topline of website. Write model number: CPR-700. Now enter product page, and red directive is found under downloads/other downloads.

Operating Frequency Range: FM: 87.5 – 108 MHz

Max Output Power: 700 mW (RMS)

DENVER ELECTRONICS A/S

Omega 5A, Soeften

DK-8382 Hinnerup

Denmark

[www.facebook.com/denverelectronics](https://www.facebook.com/denverelectronics)