

# Rechargeable Party Speaker

## Denver BPS-350NR

BASS  
BOOM  
POWER  
COLORS  
LIGHTS



## **Specification:**

6.5" +6.5" woofer

2" tweeter

Battery: 7.4 V/3600 mA

Power: 25 W RMS

3.5mm Aux-in

TWS function: Wireless connection, up to 2pcs speakers playing together to double the sound.

USB/Micro SD Card play; Bluetooth connect

Microphone inputx2

BASS/Treble/Microphone Volume/Echo control

Product size: 25 x 24.2 x 59.5 cm

Product net weight: 5.35 kg

Play time: 2 hours and 5 min at 100% volume

Charging time: 6 - 8 hours

Features on remote control

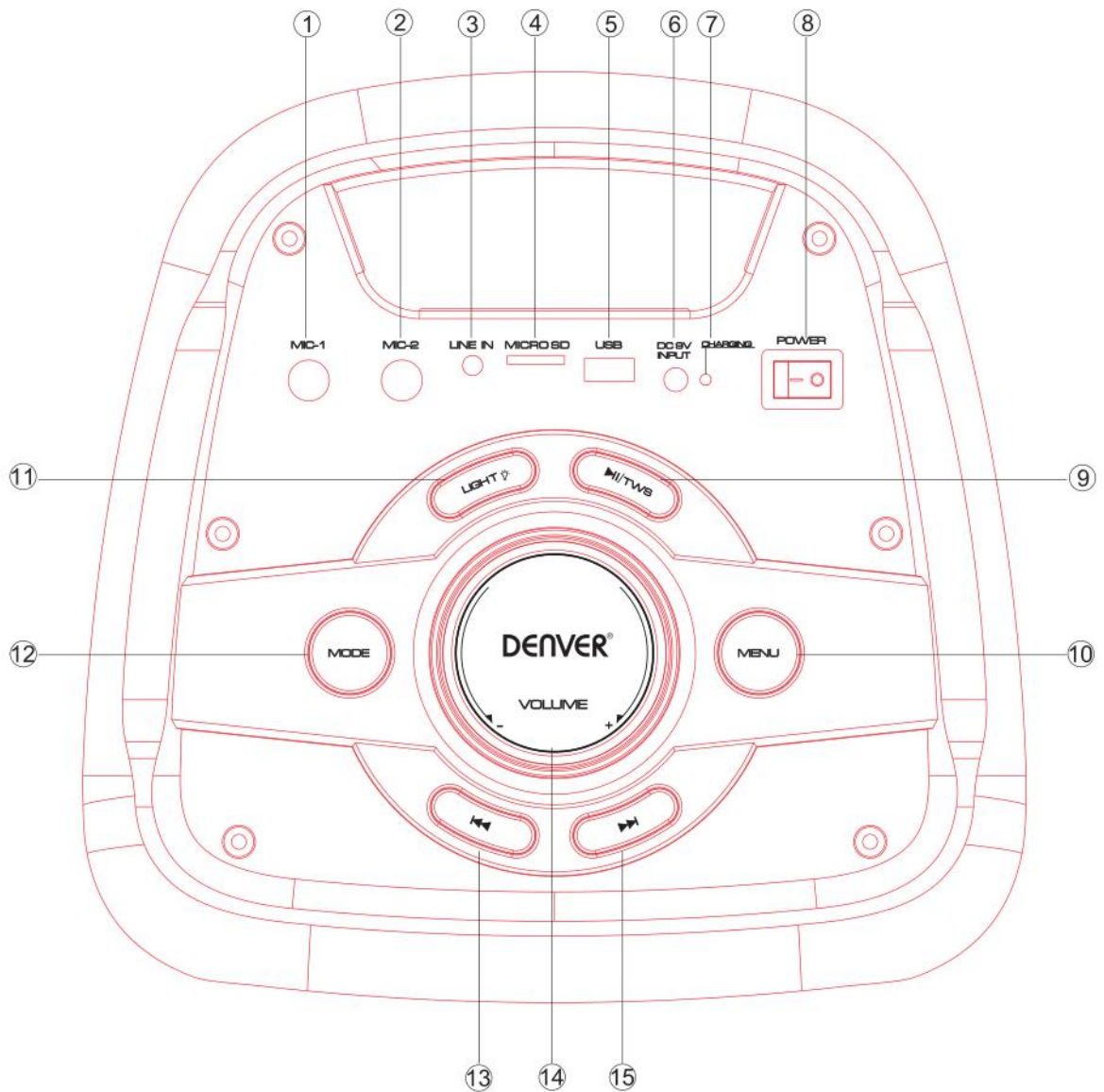
LED light control: color control-LED ON/OFF control

Recording function: Record your sound via microphone to USB flash/Micro SD card

## **What you have in pack:**

- User manual
- Remote control
- 9V/2A Adaptor

## Top panel operation



1. Microphone 1 Input
2. Microphone 2 Input
3. Aux-in(3.5 mm)
4. Micro SD Card input
5. USB Playing back
6. DC 9V charge.
7. Charging indicator(Red-charging, Green-Full)
8. Switch the Power on/off
9. Play/pause under USB/Micro SD/BT mode. Long press to get TWS function.

### **TWS connection spec:**

When you are playing a speaker (host) under USB/Micro SD/AUX/BT mode, at this time you want another speaker to share this song. You can turn on another speaker, long press the "Play/pause" button, the LED display will show "SLAU" and keep blinking, now it is searching for the host. Once host found, this new speaker will connect automatically to the host, and "SLAU" will not blink. At this time 2pcs speakers are playing the same song.

The new joining speaker can operate: play/pause - previous song-next song- volume control

#### 10 MENU (control BASS/Treble/MIC Volume)

Press the "MENU" button, the LED Display will show "TE/BS/CV/EC",

"TE" means Treble control: if you see "TE" and rotate the main Volume knob, the Treble / mid-high frequency will be from "-9" to "+9".

"BS" means Bass control. Press the "MENU" button and the LED display will show "BS", Once you see "BS" and rotate the main Volume knob, the BASS effect will be from "-9" to "+9"

"CV" means Microphone Volume, "EC" means Echo +/- control. Once you see "cv" or "EC", rotate the Main Volume knob and the Microphone Volume and Echo will be decreased and increased.

Long press the "MENU" button to restore factory settings.

11 Light mode switching on/off, short switch to get different color, long press to change the light mode, or off the light. Press "light" again to start the light  
Next sound (under USB/Micro SD/BT mode)

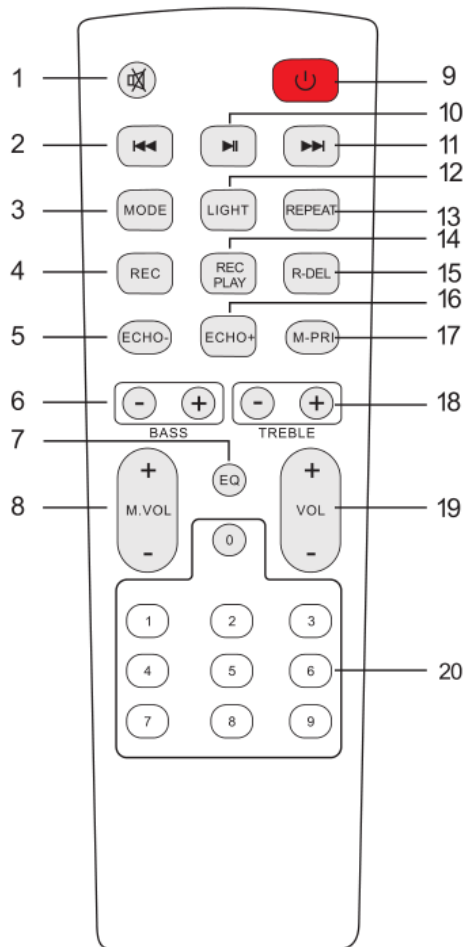
12 MODE switch

13 Short press to get the previous song, long press to fast backward

14 Main volume

15 Short press to get the next song, long press to get fast forward

# Remote control



- 1. Mute**  
Available to be mute at any mode
- 2. Previous Song**  
Under USB/Micro SD card mode - previous song.  
Under BT connection mode - previous song.
- 3. Mode**  
Press short to skip to Wireless BT/LINE IN/USB/Micro SD mode.
- 4. Record function**  
Under USB/Micro SD card mode, press the "REC" button to record songs into USB/Micro SD
- 5. Echo-**
- 6. BASS+/-**
- 7. EQ function (Pop-rock-Jazz-Classical-Flat)**
- 8. Microphone Volume+/-**
- 9. Stand by**
- 10. Pause & Play**
- 11. Next song**

Under USB/Micro SD card mode - next song.

Under BT connection mode - next song.

**12. Light mode switch.**

Short press to change light colors. Press and hold this button to get different modes or turn off the light. Press this button again to turn on the light

**13. Repeat function**

Repeat one song, or loop playback the song in USB/Micro SD storage.

**14. Record play**

**15. Record delete**

**16. Echo+**

**17. Microphone priority**

If you speak via microphone when playing music, your sound will override the sound in USB/Micro SD card

**18. Treble+/-**

**19. Main Volume**

**20. Number buttons**




Under USB/Micro SD card mode to choose songs

## OPERATING INSTRUCTIONS

---

● **Wireless BT Pairing Mode:**

Press the MODE button on the unit or the remote control until BT is selected.

1. Put the cell phone within 20 meters;
2. Activate the BT features on your cell phone so that the cell phone starts to search for BT device. Please refer to the user manual for details;
3. Select the correct model no. (**BPS-350**), the device found by the cell phone;
4. Short press PLAY/PAUSE button  to play or pause music. Short press the  or  key to select the previous or next track.

● **LINE IN MODE:**

Press the MODE button on the unit or the remote control until the LINE is selected. Play the music of the device connected to the LINE input.

- **USB Mode:**

1. After start up, press MODE to select “USB” and insert the USB device. The unit will automatically read and play the music in the USB device.

2. Press the “⏸” key short to pause or play.

3. Short press the “⏮” key to the previous song.

4. Short press the “⏭” key to the next song

Please notice - All products are subject to change without any notice. We take reservations for errors and omissions in the manual.

ALL RIGHTS RESERVED, COPYRIGHT DENVER ELECTRONICS A/S

# DENVER®

[www.denver-electronics.com](http://www.denver-electronics.com)



Electric and electronic equipment and included batteries contains materials, components and substances that can be hazardous to your health and the environment, if the waste material (discarded electric and electronic equipment and batteries) is not handled correctly.

Electric and electronic equipment and batteries is marked with the crossed out trash can symbol, seen above. This symbol signifies that electric and electronic equipment and batteries should not be disposed of with other household waste, but should be disposed of separately.

As the end user it is important that you submit your used batteries to the appropriate and designated facility. In this manner you make sure that the batteries are recycled in accordance with legislature and will not harm the environment.

All cities have established collection points, where electric and electronic equipment and batteries can either be submitted free of charge at recycling stations and other collection sites, or be collected from the households. Additional information is available at the technical department of your city.

Hereby, Inter Sales A/S declares that the radio equipment type BPS-350NR is in compliance with Directive 2014/53/EU. The full text of the EU declaration of conformity is available at the following internet address:

[www.denver-electronics.com](http://www.denver-electronics.com) and then click the search ICON on topline of website.

Write model number: BPS-350NR. Now enter product page, and RED directive is found under downloads/other downloads.

Operating Frequency Range: 2402MHz~2480MHz

Max Output Power:25W



DENVER ELECTRONICS A/S

Omega 5A, Soeften

DK-8382 Hinnerup

Denmark

[www.facebook.com/denverelectronics](http://www.facebook.com/denverelectronics)