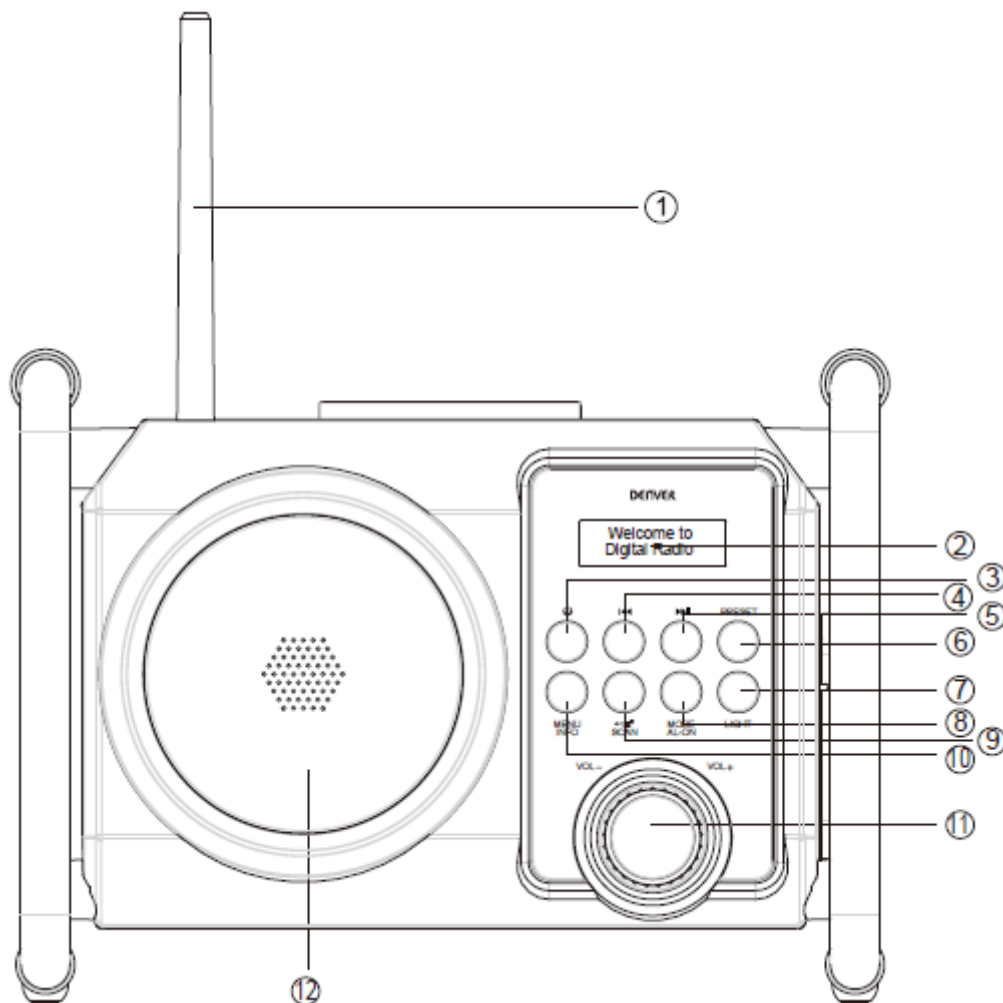

1. Overview of the device

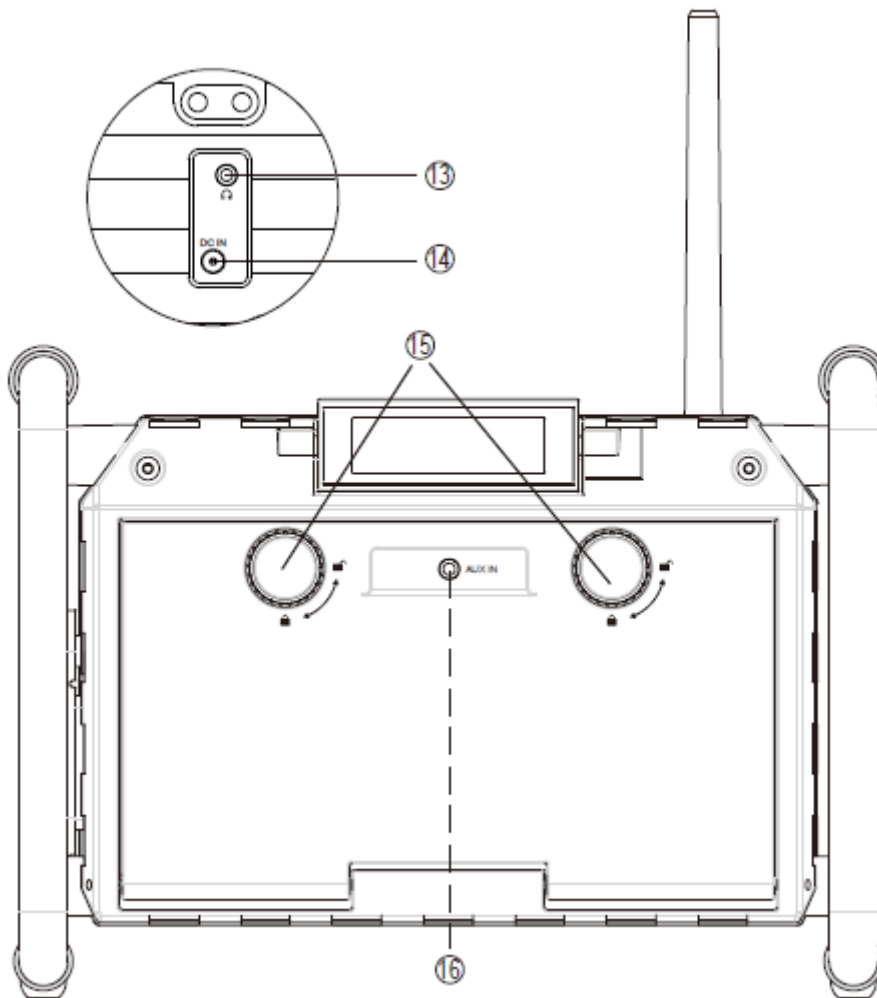
1.1. Front view



- 1) FM antenna
- 2) Display
- 3)  button (standby)
- 4)  button (previous)
- 5)  button (next)
- 6) PRESET button
- 7) LIGHT button

- 8) MODE/AL-ON button
- 9) ENTER/SLEEP/SCAN button
- 10) MENU/INFO button
- 11) Volume dial
- 12) SPEAKER

1.2. Rear



- 13) Headphone jack
- 14) DC IN jack
- 15) Storage lock
- 16) AUX IN jack



NOTICE



The type plate is located on the underside of the machine.

2. Using the device for the first time

2.1. Mains operation

- ▶ Insert one end of the power cable plug into “DC IN” socket on the device.
- ▶ Insert the other end of the power cable into the 100-240V-50HZ wall outlet.
- ▶ Then the built-in battery of the device will be charged automatically. During charging, the display

shows the  icon.

-
- ▶ The charging will stop automatically after fully charged, and the display shows the “” icon.
 - ▶ When the battery is low, the display shows the “” icon.
 - ▶ The device is powered by the built-in battery after the power cable is unplugged.



NOTICE

If the power cable is not connected, the device will automatically run on the built-in battery.

2.2. Aerial

A flexible aerial is included with the device for DAB/FM reception.

- ▶ Screw the aerial into the thread provided on the top of the device.

3. Switch to DAB mode using the MODE/AL-ON button.

- ▶ Press and hold the **SCAN** button to search radio stations automatically. The display shows the number of found radio stations.
- ▶ Press the **◀◀/▶▶** button to select a radio station, then press the **ENTER** button to confirm.
- ▶ Press the **MENU/INFO** button to display radio-related information.
- ▶ Press and hold the **MENU/INFO** button to access the menu. Press the **◀◀/▶▶** button to select a menu option, then press the **ENTER** button to confirm.
- ▶ Press the **PERSET** button to show “PRESET RECALL”, and press the **◀◀/▶▶** button to select a radio station, then press the **ENTER** button to confirm.
- ▶ Press and hold the **PERSET** button to show “PRESET STORE”, and press the **◀◀/▶▶** button to select a radio station, then press the **ENTER** button to confirm.
- ▶ Press the **MENU/INFO** button to enter the DAB menu, and press the **◀◀/▶▶** button to select a menu option shown below, then press the **ENTER** to confirm.
 - Full scan: Store all available DAB radio stations.
 - Manual tune: Manually tune to a DAB station.
 - DRC: Dynamic range control. Some DAB broadcasts offer dynamic range compression (DRC). You can select the following options: DRC high, DRC low or DRC off.
 - Prune: Eliminate invalid DAB radio stations from the DAB station list.

Notice: Up to 20 radio stations can be stored.

4. Using the device

4.1. Switch the device on/off

- ▶ Press the  button to switch the radio on.



NOTICE

After switching on, the device is in DAB/FM mode and set to volume level 5.

4.2. Radio operation

You can receive FM stations with this radio.



NOTICE

When the device is switched on, the radio will play the last station to which you listened.

- ▶ To switch the device into FM mode, press the **MODE/AL-ON** button until FM appears on the display along with the currently set frequency.

4.2.1. Searching for an FM station

To tune to a radio station, hold down the **I◀◀/▶▶I** button.

To fine tune a radio station, press the **I◀◀/▶▶I** button for frequency change.

4.2.2. Storing stations automatically

You can store 20 FM stations. The AMS function automatically searches and saves the radio station with strong signals.

- ▶ Press the **MODE/AL-ON** button until **FM** appears on the display along with the currently set frequency.
- ▶ Press and hold the **SCAN** button.

The station search starts automatically. As soon as a sufficiently strong signal is found, the station is stored. The station preset number (e.g. **P01**) is shown briefly on the display. The search will continue until all 20 memory slots are assigned.

4.2.3. Storing stations manually

- ▶ Press the **MODE/AL-ON** button until **FM** appears on the display along with the currently set frequency.
- ▶ Use the **I◀◀/▶▶I** button as described above to select your desired station.
- ▶ Press and hold the **PRESET** button.
- ▶ The preset number flashes on the display.
- ▶ Press the **I◀◀/▶▶I** button to select a preset number
- ▶ Press the **SCAN** button to complete the saving process.

4.2.4. Calling up stations

- ▶ You can call up the desired station preset by pressing the **PRESET** button repeatedly.

4.3. Sound playback from an external device

The **AUX IN** connection can be used to play sound from a different playback device (for example, an MP3 player) on the radio's loudspeakers.

- ▶ Switch off your external device.
- ▶ To access the **AUX IN** jack, open the storage cover on the rear of the device by turning the storage lock towards the unlock icon.
- ▶ Plug one end of an audio cable into the **AUX IN** jack (3.5 mm)
- ▶ Connect the other end of the audio cable to your external device (for example, **AUX/LINE OUT**).
- ▶ Switch this device, and press the **MODE/AL-ON** button until "**Enter AUX**" appears in the display.
- ▶ Switch your external device on and the sound from your external device will be played via the loudspeakers of this device.
- ▶ For protection of your external device from water splashes and dirt, you can place it into the storage compartment of this device. Close the storage cover by turning the storage lock towards the lock icon

4.4. Bluetooth operation

4.4.1. Play from Bluetooth-enabled devices

- ▶ Press the **MODE/AL-ON** button until "bluetooth" appears on the display. "Not Connected" begins to flash.
- ▶ On your Bluetooth device, enable Bluetooth and search for Bluetooth devices.
- ▶ When "WRD-50" is displayed on your device, select it to start pairing and connection. If necessary, enter default password "0000".
- ▶ After successful connection, "connected" flashes.
- ▶ Play audio on the Bluetooth device. When the play is paused, "connected" flashes.

5. System

Time/Date

Set Time/Date: The date and time are displayed as hh: mm_dd-mm-yyyy, dd, active (flashing).

Auto Update: Auto-update works with data sent over DAB or FM. The clock is only updated in a corresponding radio mode, so it is best to select a radio mode you use regularly.

Time signals are transmitted with DAB or FM radio broadcast.

Set 12/24 hour: Select hour display format between 12 and 24 hour

Set date format: Select date display format among dd-mm-yyyy, mm-yy-dd and yy-dd-mm

Alarm setting

To set an alarm, press the **MODE/AL-ON** or **MENU/INFO** button, then select Menu > Main menu > Alarms.

Select the alarm number (1 or 2) then configure the following parameters:

Time: 06:00 (adjust as necessary)

Ring alarm time: 15 Mins/30 Mins/45Mins/60Mins/90Mins

Ring alarm Mode: Buzzer/FM/DAB (FM or DAB Preset: Last listened or 1-20)

Enable: Daily/Once/Weekends/ Weekdays,

Volume: 0 – 16

Save these settings and set the alarm on or off

When the alarm goes on, press the **SNOOZE** button to snooze. It will go off again nine minutes later,

Sleep

In power on mode, Press and hold the **MENU/INFO** button to enter the main menu. Then select one of the following the sleep time options: Sleep OFF, 15 MINS, 30 MINS, 45 MINS or 60 MINS. When the sleep function is turned on, the sleep time is displayed on the right side of the LCD display. Sleep function is automatically turned off if the unit is put into standby.

Backlight

Backlight brightness and time can be set in the main menu

Power on:

Time out: 10, 20, 30, 45, 60, 90, 120, 180, ON

ON Level: High, medium, low

Standby mode:

Dimmer time: 10, 20, 30, 45, 60, 90, 120, 180, ON

Dimmer Level: High, medium, low, off

Factory Reset

Reset all user settings to factory default values. After resetting, time/date and radio presets will be erased.

To perform a factory resetting, select System > Factory reset > Yes.

Language

The default language is Germany. To change language, select System > Language, then select a language.

Info

Show the following system information: SW Version (Software version number)/Radio ID (Unique code used to identify this radio device).

6. Disposal



Packaging

The product has been packaged to protect it from damage in transit. Packaging materials are raw materials and can therefore be reused or recycled.

7. Technical data

Product

Input: AC 100–240 V ~ 50 Hz

Device batteries:	NI-MH battery 18650
Radio frequency range FM:	87.5–108 MH
Bluetooth version:	V2.1+EDR
Bluetooth Frequency:	2.4GHz -2.480GHz
Bluetooth Distance:	10m(Free space)
Output power:	50 W; max. music output (5 W RMS)
Dimensions (W x H x D):	approx. 269 x 182 x 201 mm
Weight	approx. 1.8 kg
Protection class	IPX4 (protects the device from damage caused e.g. by water ingress(splashing water))
Operation Temperature	0°C- 40°C

Please notice - All products are subject to change without any notice. We take reservations for errors and omissions in the manual.

ALL RIGHTS RESERVED, COPYRIGHT DENVER ELECTRONICS A/S

DENVER®

www.denver-electronics.com



Electric and electronic equipment and included batteries contains materials, components and substances that can be hazardous to your health and the environment, if the waste material (discarded electric and electronic equipment and batteries) is not handled correctly.

Electric and electronic equipment and batteries is marked with the crossed out trash can symbol, seen above. This symbol signifies that electric and electronic equipment and batteries should not be disposed of with other household waste, but should be disposed of separately.

As the end user it is important that you submit your used batteries to the appropriate and designated facility. In this manner you make sure that the batteries are recycled in accordance with legislature and will not harm the environment.

All cities have established collection points, where electric and electronic equipment and batteries can either be submitted free of charge at recycling stations and other collection sites, or be collected from the households. Additional information is available at the technical department of your city.

Hereby, Inter Sales A/S declares that the radio equipment type WRD-50 is in compliance with Directive 2014/53/EU. The full text of the EU declaration of conformity is available at the following internet address: www.denver-electronics.com and then click the search ICON on topline of website.

Write model number: WRD-50. Now enter product page, and red directive is found under downloads/other downloads.

Operating Frequency Range:

Max Output Power:

DENVER ELECTRONICS A/S

Omega 5A, Soeften

DK-8382 Hinnerup

Denmark

www.facebook.com/denverelectronics