

# 1. Notes on how to use these instructions



Before using the device for the first time, read these operating instructions thoroughly and follow the safety advice!

This device may only be used as described in the operating instructions. Please retain these instructions for future reference. If you pass on the machine to another party it is essential that you also provide the operating instructions!

## 2. Package contents

Please check your purchase to ensure that all items are included. If anything is missing, please contact us within 14 days of purchase.

The product you have purchased includes:

- Radio
- Rod antenna with screw thread
- Audio connection cable (3.5 mm jack)
- Power adapter
- Operating instructions and warranty card

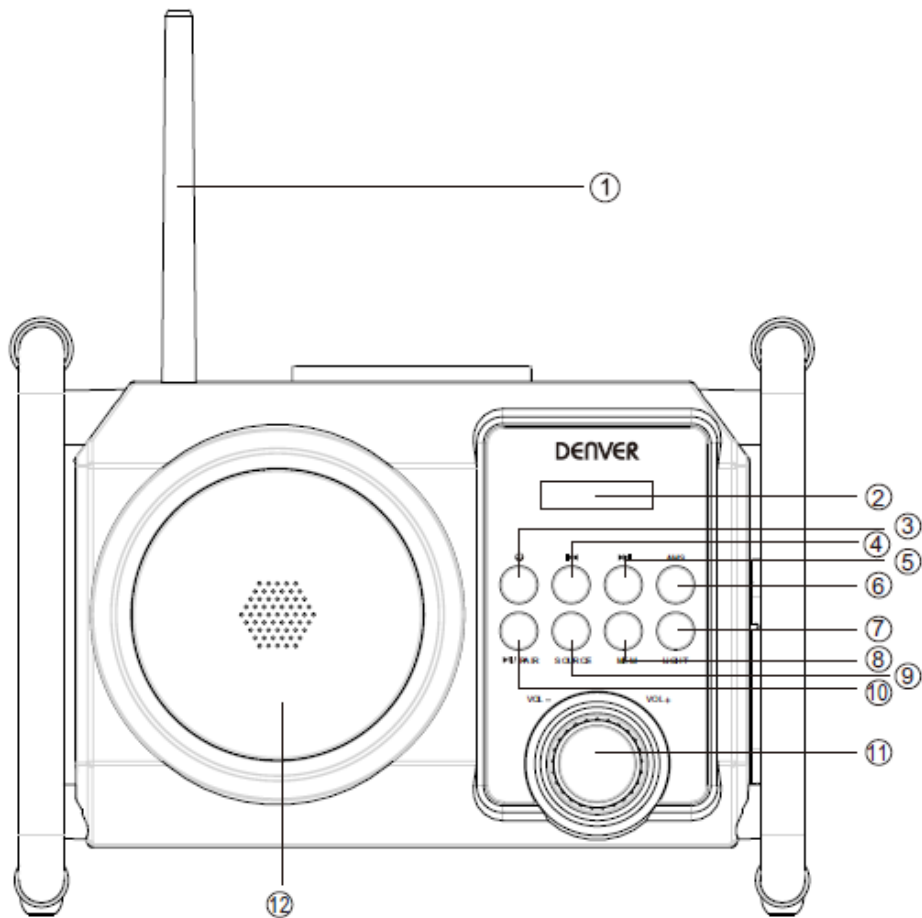
## 3. Safety information




### 3.1. Setting up the device safely

- ▶ If the device has been moved from a cold to a warm room, wait a while before connecting it to the power supply. The resulting condensation may damage the device. The device can be operated safely as soon as it has reached room temperature.
- ▶ Make sure of the following:
  - Allow at least 10 cm clearance at the sides and top of the device if it is placed in a rack or a similar enclosed space;
  - The device is not exposed to direct sources of heat (e.g. heaters);
  - The device is not placed in direct sunlight;
  - Do not expose the device to extreme temperatures;
  - Do not place the device close to magnetic fields (for example, televisions or other loudspeakers);
  - Do not place naked flames (for example, lit candles) near or on the device.
  - Do not place any liquid-filled containers, such as vases, on or next to the device. The container may tip over and the liquid may impair the electrical safety of the product.

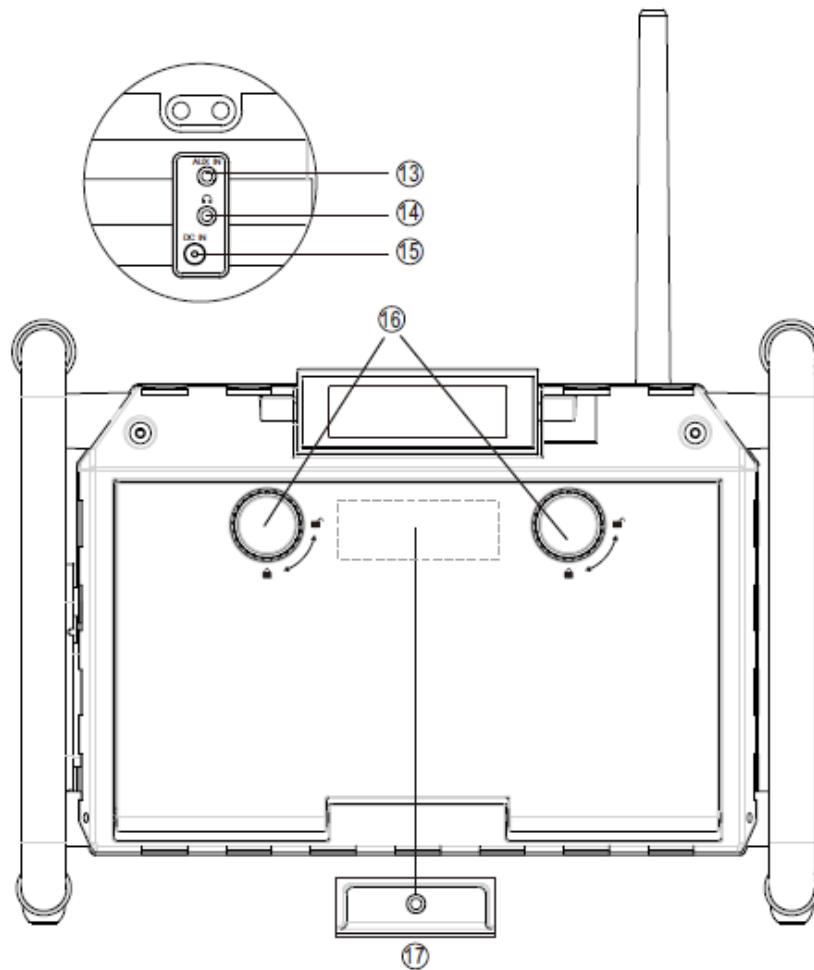
## 4. Overview of the device

### 4.1. Front view



- |  |                               |
|--|-------------------------------|
| 1) FM antenna  | 8) MEM button                 |
| 2) Display   | 9) SOURCE button              |
| 3)  button (standby)  | 10) PLAY/PAUSE/PAIRING button |
| 4)  button (previous) | 11) Volume dial               |
| 5)  button (next)     | 12) SPEAKER                   |
| 6) AMS button  |                               |
| 7) LIGHT button  |                               |

## 4.2. Rear view



- 13) AUX IN jack
- 14) Headphone jack
- 15) DC IN jack
- 16) Storage lock
- 17) AUX IN jack



### NOTICE

The type plate is located on the underside of the machine.

## 5. Using the device for the first time

### 5.1. Mains operation

- ▶ Insert one end of the power cable into the “DC IN” jack on the device.
- ▶ Insert the other end of the power cable into the 100-240V-50HZ wall outlet.
- ▶ Then the built-in battery of the device will be charged automatically. When charging, the battery icon

lights up.

- ▶ The charging will stop automatically after fully charged, and the battery icon turns off.
- ▶ When the battery is low, the battery icon flashes.
- ▶ The device is powered by the built-in battery after the power cable is unplugged.



### NOTICE

If the power cable is not connected, the device will automatically run on the built-in battery.


## 5.2. Aerial

A flexible aerial is included with the device for FM reception.

- ▶ Screw the aerial into the thread provided on the top of the device.

## 6. Using the device

### 6.1. Switch the device on/off

Press the  button to switch the radio on.



### NOTICE

After switching on, the device is in FM mode and set to volume level 5.

### 6.2. Radio operation

You can receive FM stations with this radio.





### NOTICE

When the device is switched on, the radio will play the last station to which you listened.

- ▶ To switch the device into FM mode, press the **SOURCE** button until FM appears on the display along with the currently set frequency.

#### 6.2.1. Searching for an FM station

To tune to a radio station, hold down the  /  button.

To fine tune a radio station, press the  /  button for frequency change.

#### 6.2.2. Storing stations automatically

You can store 20 FM stations. The AMS function automatically searches and saves the radio station with strong signals.

- ▶ Press the **SOURCE** button until FM appears on the display along with the currently set frequency.
- ▶ Press and hold the **AMS** button.

The station search starts automatically. As soon as a sufficiently strong signal is found, the station is stored. The station preset number (e.g. P01) is shown briefly on the display. The search will continue until all 20 memory slots are assigned.

### 6.2.3. Storing stations manually

- ▶ Press the **SOURCE** button until FM appears on the display along with the currently set frequency.
- ▶ Use the **◀◀ / ▶▶** button as described above to select your desired station.
- ▶ Press and hold the **MEM** button.
- ▶ The preset number flashes on the display.
- ▶ Press the **◀◀ / ▶▶** button to select a preset number.
- ▶ Press the **MEM** button to complete the saving process.

### 6.2.4. Calling up stations

- ▶ You can call up the desired station preset by pressing the **MEM** button repeatedly.



## 6.3. Sound playback from an external device

The **AUX IN** connection can be used to play sound from a different playback device (for example, an MP3 player) on the radio's loudspeakers.

- ▶ Switch off your external device.
- ▶ To access the **AUX IN** jack, open the storage cover on the rear of the device by turning the storage lock towards the unlock icon.
- ▶ Plug one end of an audio cable into the **AUX IN** jack (3.5 mm)
- ▶ Connect the other end of the audio cable to your external device (for example, **AUX/LINE OUT**).
- ▶ Switch this device on, and press the **SOURCE** button until AUX appears on the display.
- ▶ Switch your external device on and the sound from your external device will be played via the loudspeakers of this device.
- ▶ For protection of your external device from water splashes and dirt, you can place it into the storage compartment of this device. Close the storage cover by turning the storage lock towards the lock icon.

## 6.4. Bluetooth operation

### 6.4.1. Play from Bluetooth-enabled devices

- ▶ Press the **SOURCE** button until "bt" appears on the display. The  icon flashes.
- ▶ On your Bluetooth device, enable Bluetooth and search for Bluetooth devices.
- ▶ When "WRB-50" is displayed on your device, select it to start pairing and connection. If necessary, enter default password "0000".
- ▶ After successful connection, the device reminding "audio device connected"/"audio device disconnected" in english. and the  icon stops flashing, and "bt" begins to flash. Play audio on the Bluetooth device. When the play is paused, "bt" flashes.

## 7. Technical data

### Product

Input:	AC 100–240 V ~ 50 Hz
Device batteries:	NI-MH battery 18650
Radio frequency range FM:	87.5 – 108 MHz
Bluetooth version:	V2.1+EDR
Bluetooth Frequency:	2.4GHz -2.480GHz
Bluetooth Distance:	10m (Free space)
Output power:	50 W; max. music output (5 W RMS)
Dimensions (W x H x D):	approx. 269 x 182 x 201 mm
Weight	approx. 1.8 kg
Protection class	IPX4 (protects the device from damage caused e.g. by water ingress(splashing water))
Operation Temperature	0°C- 40°C

Please notice - All products are subject to change without any notice. We take reservations for errors and omissions in the manual.

ALL RIGHTS RESERVED, COPYRIGHT DENVER ELECTRONICS A/S

# DENVER®

[www.denver-electronics.com](http://www.denver-electronics.com)



Electric and electronic equipment and included batteries contains materials, components and substances that can be hazardous to your health and the environment, if the waste material (discarded electric and electronic equipment and batteries) is not handled correctly.

Electric and electronic equipment and batteries is marked with the crossed out trash can symbol, seen above. This symbol signifies that electric and electronic equipment and batteries should not be disposed of with other household waste, but should be disposed of separately.

As the end user it is important that you submit your used batteries to the appropriate and designated facility. In this manner you make sure that the batteries are recycled in accordance with legislature and will not harm the environment.

All cities have established collection points, where electric and electronic equipment and batteries can either be submitted free of charge at recycling stations and other collection sites, or be collected from the households. Additional information is available at the technical department of your city.

Hereby, Inter Sales A/S declares that the radio equipment type WRB-50 is in compliance with Directive 2014/53/EU. The full text of the EU declaration of conformity is available at the following internet address: [www.denver-electronics.com](http://www.denver-electronics.com) and then click the search ICON on topline of website.

Write model number: WRB-50. Now enter product page, and red directive is found under downloads/other downloads.

Operating Frequency Range:

Max Output Power:

DENVER ELECTRONICS A/S

Omega 5A, Soeften

DK-8382 Hinnerup

Denmark

[www.facebook.com/denverelectronics](http://www.facebook.com/denverelectronics)