

# DENVER®

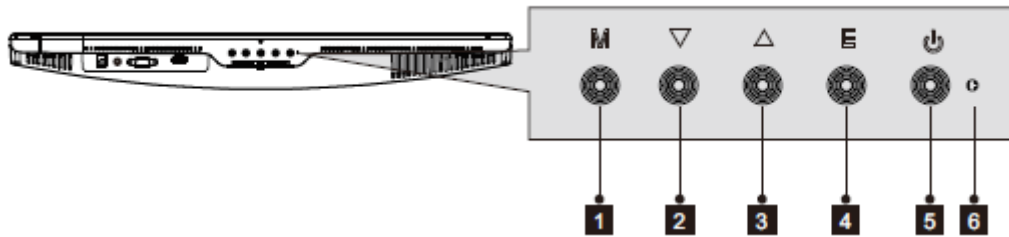
## MLE-2401 PC Monitor



Read this booklet thoroughly before using and save it for future reference

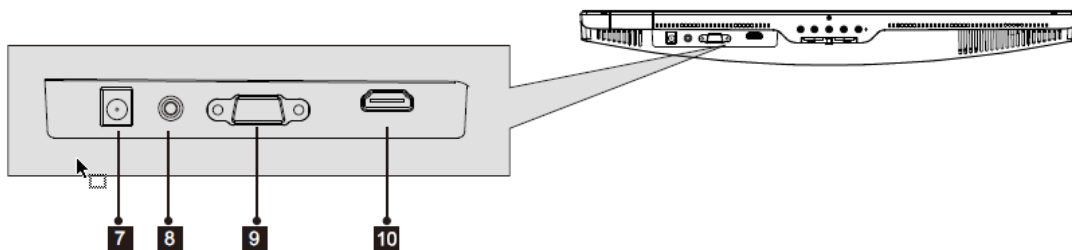
# 1. Product Overview

## 1.1 Monitor Buttons



1. **M Menu Button:** Press to display the OSD menu or enter sub-menus.
2. **▼ Down Button:** Press to move down in the menus.
3. **▲ Up Button:** Press to move up in the menus.
4. **E Exit Button:** Press to exit.
5. **⏻ Power Button:** Press to turn the monitor on/off.
6. **LED Indicator:** Change colors to indicate status.

## 1.2 Monitor Ports



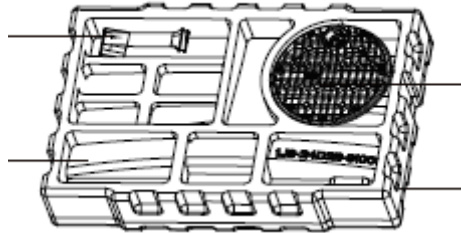
7. **Power Connector:** Insert the power cable to supply power to the monitor.
8. **Audio Output:** Insert one end of the audio cable into the computer's audio input to receive the audio signals from your monitor.
9. **VGA Connector:** Insert one end of the VGA cable into the computer's VGA output and connect the other end to the monitor's VGA port.
10. **HDMI Connectors:** Insert one end of the HDMI cable into the computer's HDMI output and connect the other end to the monitor's HDMI port.

## 2. Stand Installation

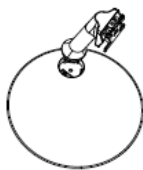


Keep the foam underneath the monitor before attaching the stand.

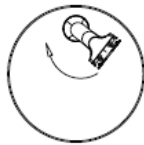
1. Open the package, take out the product with foam attached, and gently place them on a desktop or table.



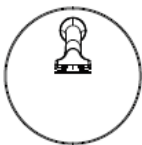
2. Turn the bracket to a certain angle and align it with the circular slot of the base, stick it tightly, and then rotate clockwise to clamp the bracket into the base to complete the installation of the base.



2.1 Make stand aligned with the base slot.



2.2 Keep the bracket and the base close, rotate the bracket clockwise.



2.3 Make the bracket snap into the base.

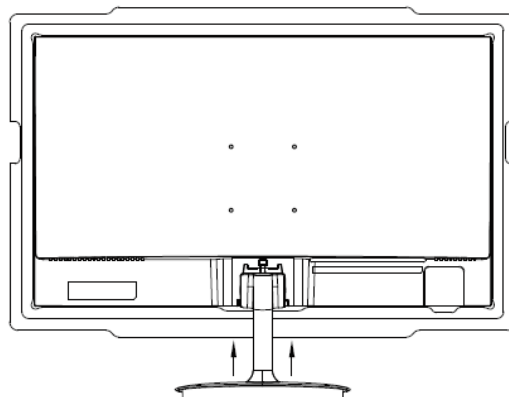


2.4 Lock the screws which contained in the accessory bag at the base tightly (PM4\*12).



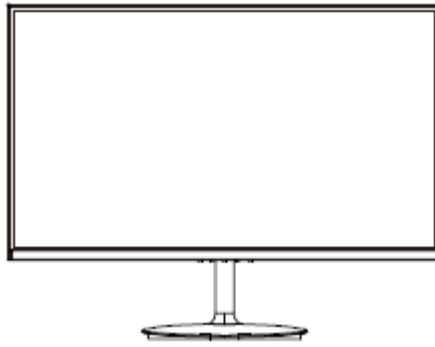
2.5 The assembly is completed.

3. Place the top of the mounted base frame flat on the lower side slot of the rear case, adhered and push up, then insert the base stand into the rear case.



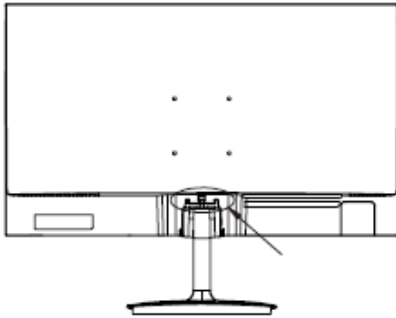
Stand close to the back shell, and pull up.

4. The assembled monitor is shown as below picture.

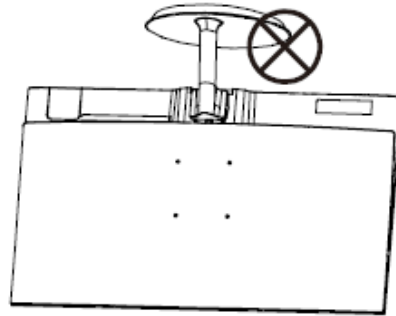


Note 1: Please do not put your hand in the gap between the stand and the case to prevent pinching!

Note 2: After the base is installed, please avoid holding the base and invert the machine to prevent falling!



Note: Do not invert the machine to prevent falling.

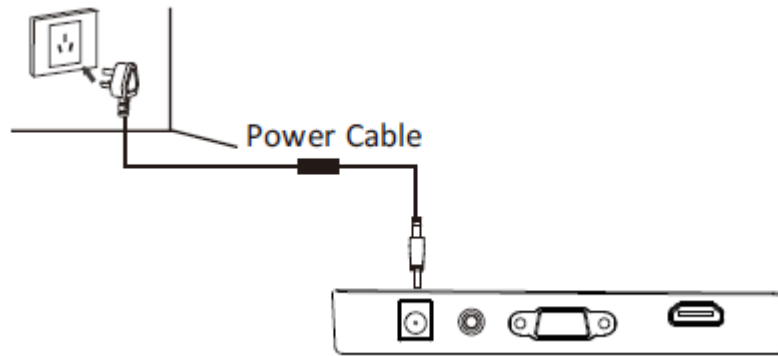


To avoid damage, do not touch the screen when moving the monitor.

## 3. Connectivity Options

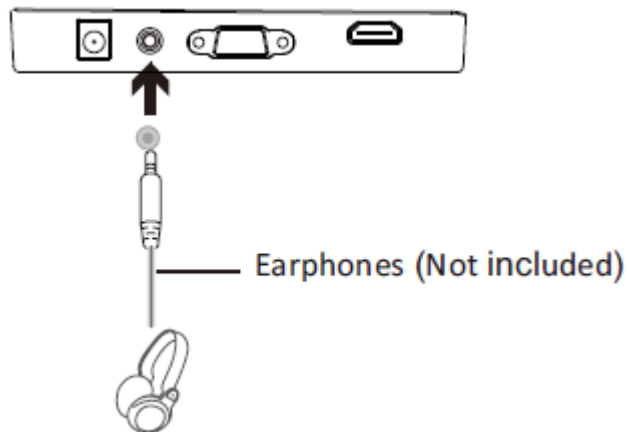
### 3.1 Connecting the Power Cable

Connect the included power cable to the power-in port of the monitor, and then plug the other end into a wall outlet.



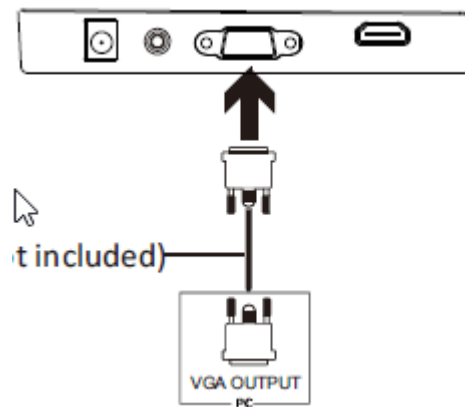
### 3.2 Connecting Your Earphones

Plug in your earphones to receive audio signals from your monitor. If your earphones are connected to the monitor and audio devices are connected to your computer at the same time, the audio devices will not produce sound. Earphones and other audio devices are not supplied.



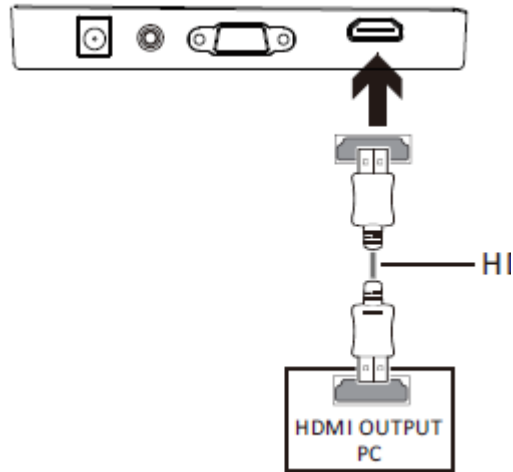
### 3.3 VGA Connectivity

In order for the monitor to receive VGA signals from the computer, use a VGA cable to connect the monitor to the computer.



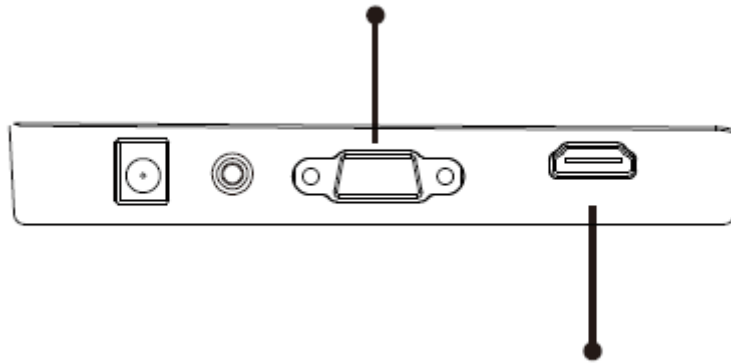
### 3.4 HDMI Connectivity

In order for the monitor to receive HDMI signals from the computer, use the HDMI cable to connect the monitor to the computer.



## 4. Basic Operation

1. Insert one end of the HDMI cable into your PC's HDMI port. A VGA cable may also be used (not supplied).
2. Connect the other end of the cable to the corresponding connector on your monitor.

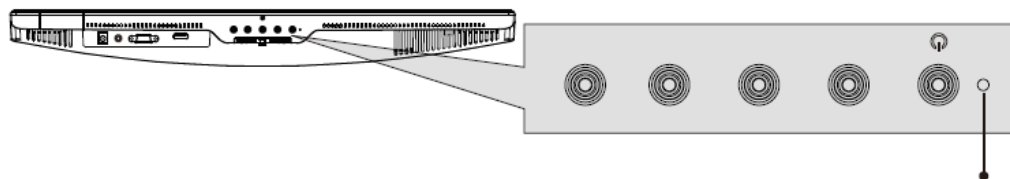


3. Connect the power cable to your monitor then connect the other end to your power source. It is recommended that you use a surge protector with adequate voltage if a wall outlet cannot be reached directly.
4. Locate the power button on the monitor and press it to turn the monitor on.

### FreeSync

The feature itself is off by default. To use this feature, you must have hardware with FreeSync capability, an HDMI cable, and the latest graphic drivers. To use this feature, connect your computer and monitor with an HDMI cable. After connecting, you may receive a prompt to enable the feature on your computer, and then the FreeSync runs automatically. If you do not receive the prompt, you may need to enable the function in your graphics card menu. See your graphics card manufacturer's documentation for instructions on how to turn on and/or enable FreeSync.

## 5. Indicator Light



Solid blue light indicates power is on and the monitor is operating normally. Flashing blue light indicates no video source has been detected. Red light indicates that no horizontal

or vertical signal has been detected or voltage is low. Please ensure your computer is on and all video cables are fully inserted and/or connected.

## 10: ECO Modes and Gameplus Switching

1. Press any one of the buttons (M, ▲, ▼, E, ⏻) to activate the navigation window.



2. Press ▼ to switch Gameplus modes. According to the needs of your game, choose the corresponding game icon. These game icons are primarily designed to optimize your aim during shooting games, though they can be used for other scenarios.
3. Press ▲ to switch ECO modes. These modes include Standard, Text, Movie, Game, FPS and RTS modes and can be used to optimize settings according to your activity. Standard mode is suitable for most activities.





Please notice - All products are subject to change without any notice. We take reservations for errors and omissions in the manual.

ALL RIGHTS RESERVED, COPYRIGHT DENVER ELECTRONICS A/S

# DENVER®

[www.denver-electronics.com](http://www.denver-electronics.com)



Electric and electronic equipment contains materials, components and substances that can be hazardous to your health and the environment, if the waste material (discarded electric and electronic equipment) is not handled correctly.

Electric and electronic equipment is marked with the crossed out trash can symbol, seen above. This symbol signifies that electric and electronic equipment should not be disposed of with other household waste, but should be disposed of separately.

All cities have established collection points, where electric and electronic equipment can either be submitted free of charge at recycling stations and other collection sites, or be collected from the households. Additional information is available at the technical department of your city.

DENVER ELECTRONICS A/S  
Omega 5A, Soefte  
DK-8382 Hinnerup  
[www.facebook.com/denverelectronics](https://www.facebook.com/denverelectronics)