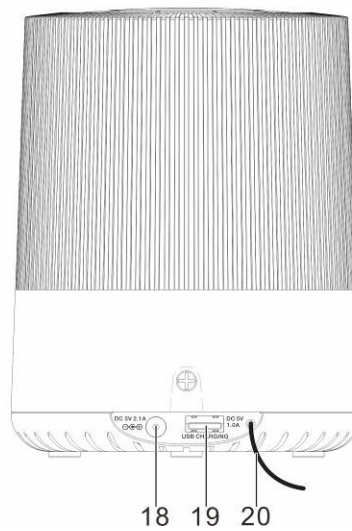
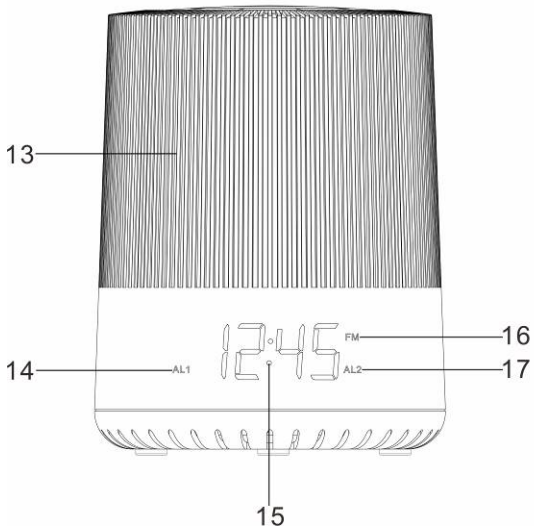
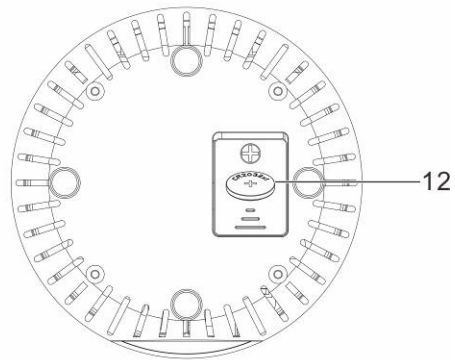
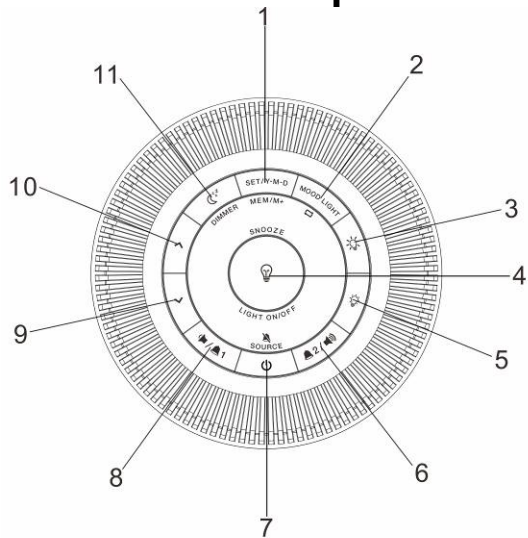


Overview of the product



1. MEM/M+ button / SET button / Y-M-D button
2. MOOD LIGHT button / MOOD LIGHT CHANGE button
3. LIGHT UP button
4. LIGHT ON/OFF button / SNOOZE button
5. DIM DOWN button
6. ALARM 2 button / VOL UP button
7. POWER button / SOURCE button / ALARM OFF button

8. ALARM 1 button / VOL DOWN button
9. BACKWARD button
10. FORWARD button
11. SLEEP button / DIMMER button
12. Battery compartment
13. Lamp shade
14. Alarm 1 indicator
15. Display
16. FM indicator
17. Alarm 2 indicator
18. DC IN jack
19. USB charging port
20. Antenna

Setting the clock

1. Make sure the POWER button is NOT activated. If the radio is playing any music source (i.e. radio/nature sound), press the POWER button to switch OFF.
2. Press and hold the SET button to enter the clock setting mode.
3. Press the SET button repeatedly to cycle through the setting options:

Year > Month > Day > 12 hr/24 hr (time format) > Hour time > Minute time

- Press the FORWARD button to adjust the values in each setting option. Press and hold the button to change the values quickly.
- Press the SET button to confirm each setting option.

Note: the PM icon shows with the selection of the 12-Hr clock for PM time.

Listening to radio

1. Press the POWER button to switch the music mode on.
 2. Press and hold the SOURCE button to select the radio mode (radio frequency shows on the display).
 3. Press the FORWARD button to adjust frequency.
 4. Press and hold the FORWARD button to automatically tune to the next available FM station.
 5. Press the POWER button to switch the radio mode off.
- ** Unroll and extend the antenna to improve FM signal reception.

Setting preset stations

You can store up to 10 preset stations.

1. Tune to a station.
2. Press and hold the MEMORY+ button until "P01" shows on the display.
3. Press the FORWARD button to select a preset number (P01-P10).
4. Press the SET button to confirm.
5. Press the MEM/M+ button repeatedly while listening to the radio to select a preset station. Alternatively, press the MEM/M+ button once and then press the FORWARD button to select a preset station.

Listening to nature sounds

Six nature sounds are available to enhance ambiance.

1. Press the POWER button to switch the music mode on.
2. Press and hold the SOURCE button to select the nature sound mode (n-1, n-2, n-3, n-4, n-5, n-6 shows on the display).
3. Press the FORWARD button to select a nature sound.
4. Press the POWER button to switch the nature sound mode off.

Setting alarms

The radio lets you have 2 alarm settings.

1. Make sure the POWER button is NOT activated. If the radio is playing any music source (i.e. radio or nature sound), press the POWER button to switch it OFF.
2. Press the ALARM 1/ALARM 2 button to show the current alarm 1 or 2 setting, respectively.
3. Press and hold the ALARM 1/ALARM 2 button to enter the alarm time setting mode.

4. In the alarm setting mode, press the ALARM 1/ ALARM 2 repeatedly to cycle through the setting options:

Alarm hour time > alarm minute time > Alarm frequency (see note 1) > Alarm sound source (see note 2) > Light intensity
--

- Press the FORWARD button to adjust the values in each setting option. Press and hold the button to change the values quickly.
- Press the ALARM 1/ALARM 2 button to confirm each setting option.
- Once settings are done, the alarm is enabled and the corresponding AL 1/ AL 2 icon will show

Note:

1. In the alarm frequency setting, you can select the following:
1-5 = Monday to Friday, 1-7 = Everyday, 6-7 = Weekend only, 1, 2, 3, 4, 5, 6 or 7 = Once a week only (on the selected day)
2. Select the buzzer ("bu" shows on the display), the radio (the last played radio frequency shows on the display), or nature sound ("nS" shows on the display) as the alarm sound source.
All alarm sound sources will increase their volume gradually when the alarm sounds. If the radio is selected as the alarm sound source, you are prompted to select the radio maximum volume when the alarm sounds.
If the nature sound is selected as the alarm sound source, you are prompted to select the type of nature sound and then the maximum volume when the alarm sounds.

Alarm wake-up light

- The wake-up light can be set at a light intensity level from L01 to L20 or off. If a light intensity level from L01 to L20 is set, the light will switch on at its lowest intensity 30 minutes before the set alarm time.
- The light will then gradually increase to the set maximum brightness until the alarm goes off. For example, if the alarm is set for 8:30 with a light intensity of L10, the light will switch on at 8:00 at the lowest level (L01) and gradually increase to the light level L10 at 8:30.
- The light will not turn on if the alarm is set less than 30 minutes before the set time.

Turning the alarms on or off

When the clock time is displayed, press and hold the ALARM 1 or ALARM 2 button to enable or disable the respective alarm. The corresponding alarm icon (AL1/ AL2) will switch on when the alarm is enabled.

Deactivating a sounding alarm

- Press the LIGHT ON/OFF button to temporarily silence the alarm (snooze) and then press the ALARM OFF button to switch off a sounding alarm.
- When the alarm sounds, the corresponding alarm icon (AL1 or AL2) flashes on the display.
- The alarm will continue sounding for 30 minutes if no button is pressed. Then it will stop automatically until the same time next day.

Sleep

- This sleep function defines the duration of time before the radio switches itself off automatically.

- When the radio is switched on, press the SLEEP button repeatedly to select a sleep period (Options: Off, 15-120 minutes).
- The radio will automatically switch off when the sleep period is over.
- Press the SLEEP button to check the remaining time before the radio switches off.
- Press the POWER button to cancel this function.

Reading light

- Press the LIGHT ON/OFF button to switch on or off reading light.
- Press the DIM DOWN or LIGHT UP button to reduce/increase brightness.

Mood light

- Press MOOD LIGHT button to turn on/off the mood light.
- Press and hold the MOOD LIGHT CHANGE button to stop the light from alternating in colors. Repeat this step to cancel this function.

Charging external device

Connect an external device (e.g. smartphone, mp3 player) via a USB cable (not provided) for charging. The radio cannot access the contents in the connected external device.

Please notice - All products are subject to change without any notice. We take reservations for errors and omissions in the manual.

ALL RIGHTS RESERVED, COPYRIGHT DENVER ELECTRONICS A/S

DENVER®

www.denver-electronics.com



Electric and electronic equipment contains materials, components and substances that can be hazardous to your health and the environment, if the waste material (discarded electric and electronic equipment) is not handled correctly.

Electric and electronic equipment is marked with the crossed out trash can symbol, seen above. This symbol signifies that electric and electronic equipment should not be disposed of with other household waste, but should be disposed of separately.

All cities have established collection points, where electric and electronic equipment can either be submitted free of charge at recycling stations and other collection sites, or be collected from the households. Additional information is available at the technical department of your city.

Hereby, Inter Sales A/S declares that the radio equipment type AV-713U is in compliance with Directive 2014/53/EU. The full text of the EU declaration of conformity is available at the following internet address: <http://www.denver-electronics.com/denver-av-713u/>

Operating Frequency Range:

Max Output Power:

DENVER ELECTRONICS A/S

Omega 5A, Soeften

DK-8382 Hinnerup

Denmark

www.facebook.com/denverelectronics