

DENVER[®]

MICROWAVE OVEN INSTRUCTION MANUAL



OM-2020

www.denver-electronics.com

**IMPORTANT SAFETY INSTRUCTIONS
READ CAREFULLY AND KEEP FOR FUTURE REFERENCE**

English

IMPORTANT SAFEGUARDS

The following basic precautions should always be followed when using electrical appliance:

1. Read all instructions before using.
2. Make sure the voltage in your living area corresponding to the one shown on the rating label of the appliance. And the wall socket is properly grounded.
3. To reduce the risk of fire in the oven cavity:
 - a. Do not overcook the food.
 - b. Remove wire twist -ties from paper or plastic bags before placing bags in the oven.
 - c. Do not heat oil or fat for deep frying as the temperature of oil cannot be controlled.
 - d. After use wipe the waveguide cover with a damp cloth, followed by dry cloth to remove any food splashes and grease. Built -up grease may overheat and begin to cause smoke or catch fire.
 - e. If materials inside the oven should smoke or ignite, keep oven door closed, turn oven off and disconnect the power supply.
 - f. When heating food in plastic or paper containers, keep an eye on the oven due to the possibility of ignition.
4. To reduce the risk of explosion and sudden boiling:
 - a. **WARNING:** Liquids and other foods must not be heated in sealed container since they are liable to explode; Baby bottles fitted with a screw cap or teat are considered to be sealed containers.
 - b. Use the wide -mouthed container to cook liquid, and the cooked liquid should not be removed out immediately. Several moments should be waited before removing. In

order to avoid possible hazards caused by delayed eruptive boiling of liquids.

c. Potatoes, sausage and chestnut should be peeled or pierced before cooking. Eggs in their shell, whole hard-boiled eggs should not be heated in microwave ovens since they may explode, even after microwave heating has ended.

d. The contents of feeding bottles and baby food jars are to be stirred or shaken and the temperature is to be checked before consumption, in order to avoid burns.

5. If the supply cord is damaged, it must be replaced by the manufacturer or its service agent or a qualified technician in order to avoid a shock hazard.

6. After cooking, the container is very hot. Using gloves to take out the food and avoid steam burns by directing steam away from the face and hands.

7. Slowly lift the furthest edge of dishes cover and microwave plastic wrap and carefully open popcorn and oven cooking bags away from the face.

8. To prevent the turntable from breaking:

a. Let the turntable cool down before cleaning.

b. Do not place hot foods or utensils on the cold turntable.

c. Do not place frozen foods or utensils on the hot turntable.

9. Make sure the utensils do not touch the interior walls during cooking.

10. Only use utensils that are suitable for use in microwave ovens.

11. Do not store food or any other things inside the oven.

12. Do not operate the oven without any liquid or food inside the oven. This would do damage the oven.

- 13.** When the appliance is operated in the combination mode, children should only use the oven under adult supervision due to the temperatures generated.
- 14.** Any accessories not recommended by the manufacturer may cause injuries to persons.
- 15.** Do not use outdoors.
- 16.** Save these instructions.
- 17. WARNING:** If the door or door seals are damaged or the oven is malfunctioned, the oven must not be operated until it has been repaired by a competent person;
- 18. WARNING:** It is hazardous for anyone other than a competent person to carry out any service or repair operation that involves the removal of a cover which gives protection against exposure to microwave energy;
- 19.** If smoke is emitted, switch off or unplug the appliance and keep the door closed in order to stifle any flames;
- 20.** Microwave heating of beverages can result in delayed eruptive boiling; therefore care must be taken when handling the container;
- 21.** Do not use harsh abrasive cleaners or sharp metal scrapers to clean the oven door glass since they can scratch the surface, which may result in shattering of the glass.
- 22.** The lamp of microwave oven is not intended for other purposes.
- 23.** The appliances are not intended to be operated by means of an external timer or separate remote -control system.
- 24.** This appliance is intended to be used in household and similar applications, such as:

- Staff kitchen areas in shops, offices and other working environments;
- Farm houses;
- By clients in hotels, motels and other residential environments;
- Bed and breakfast type environments.

25. The microwave oven is intended for heating food and beverages. Drying of food or clothing and heating of warming pads, slippers, sponges, damp cloth and similar may lead to risk of injury, ignition or fire.

26. This appliance can be used by children aged from 8 years and above and persons with reduced physical, sensory or mental capabilities or lack of experience and knowledge if they have been given supervision or instruction concerning use of the appliance in a safe way and understand the hazards involved. Children shall not play with the appliance. Cleaning and user maintenance shall not be made by children unless they are older than 8 and supervised. Keep the appliance and its cord out of reach of children less than 8 years.

27. This appliance is not intended for use by persons (including children) with reduced physical, sensory or mental capabilities, or lack of experience and knowledge, unless they have been given supervision or instruction concerning use of the appliance by a person responsible for their safety.

28. Children should be supervised to ensure that they do not play with the appliance.

29. A steam cleaner is not to be used.

30. The door or the outer surface may get hot when the appliance is operating.

31. WARNING: Accessible parts may become hot during

use. Young children should be kept away.

32. During use the appliance becomes hot. Care should be taken to avoid touching heating elements inside the oven.

33. The surfaces are liable to get hot during use.



: **CAUTION:HOT SURFACE**

Household use only

INSTALLATION

1. Take out all the packing. If there is a safe film over the oven, tear it off before Use. Check carefully for damage. If any, immediately notify dealer or send to the manufacturer's service center.

2. Microwave ovens must be placed under dry and non-corrosiveness environments, kept away from heat and humidity, such as gas burner or water tank.

3. To ensure sufficient ventilation, the distance of the back of microwave to the wall should be at least 10 cm, the side to the wall should be at least 5 cm, the free distance above the top surface at least 20 cm. the distance of the microwave to the ground should be at least 85 cm.

4. The position of the oven shall be such that it is far from the TV, Radio or antenna as picture disturbance. The distance should be more than 5m.

5. The appliance must be positioned so that the plug is accessible, and must ensure a good grounding in case leakage, ground loop can be formed to avoid electric shock.

6. The microwave oven must be operated with the door closed.

7. The microwave oven must not be placed in a cabinet. The

microwave oven is intended to be used freestanding.

8. As there is manufacturing residue or oil remained on the oven cavity or heat element, it usually would smell the odor, even a slight smoke, It is normal case and would not occur after several times use, keep the door or window open to ensure good ventilation. So it is strongly recommended to place a cup of water in the turntable, setting at high power and operate for several times.

CLEANING

MICROWAVE OVEN CARE

CAUTION

The oven should be cleaned regularly and any food deposits removed.

WARNING

1. Remove the power cord from the wall outlet before cleaning. Don't immerse the appliance in water or other fluids when cleaning.
2. Failure to maintain the oven in a clean condition could lead to deterioration of the surface that could adversely affect the life of the appliance and possibly result in a hazardous situation
3. Never use hard detergent, gasoline, abrasive powder or metal brush to clean any part of the appliance
4. Do not remove the waveguide cover
5. When the microwave oven has been used for a long time, there may be some strange odors exist in oven, Following 3 methods can get rid of them:
 - a. Place several lemon slices in a cup, then heat with high

Micro Power for 2-3 min.

b. Place a cup of red tea in oven, then heat with high micro power.

c. Put some orange peel into oven, and then heat them with high Micro Power for 1 minute.

6. WARNING: Only allow children to use the oven without supervision when adequate instructions have been given so that the child is able to use the oven in a safe way and understands the hazards of improper use;

TIPS FOR CLEANING

Details for cleaning door seals, cavity and adjacent parts:

Exterior:

Wipe the enclosure with a dampened soft cloth

Door:

Using a dampened soft cloth, wipe clean the door and window

Wipe the door seals and adjacent parts to remove any spill or spatter

Wipe the control panel with a slightly dampened soft cloth

Interior walls:

Wipe clean the cavity with a dampened soft cloth

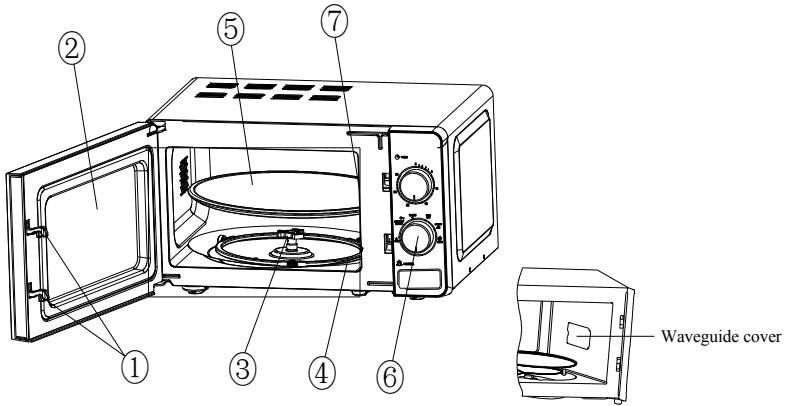
Wipe clean the waveguide cover to remove any food splashed

Turntable/ Rotation ring/ Rotation axis:

Wash with mild soap water

Rinse with clean water and allow drying thoroughly

PRODUCT INSTRUCTION



1) Door lock

Microwave oven door must be properly closed in order for it to operate

2) Viewing window

Allow user to see the cooking status

3) Rotating axis

The glass turntable sits on the axis; the motor underneath it drives the turntable to rotate

4) Rotating ring

The glass turntable sits on its wheels; it supports the turntable and helps it to balance when rotating

5) Turntable

The food sits on the turntable, its rotation during operation helps to cook food evenly

CAUTION

- Place the rotating ring first
- Fit the turntable onto the rotating axis and make sure that it is geared in properly

6) Control panel

See below in details (the control panel is subject to change without prior notice)

7) Waveguide cover

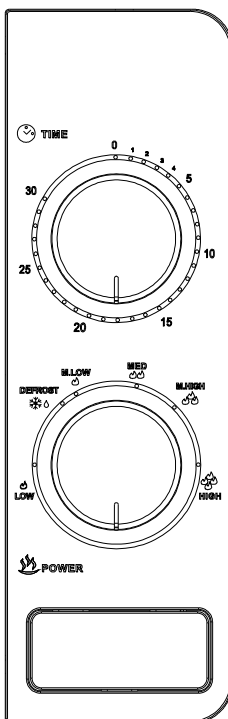
It is inside the microwave oven, next to the wall of control panel.



WARNING

Never remove the waveguide cover

CONTROL PANEL



1) Timer

- The max cooking time length that can be set is 30 minutes
- Each setting is 1 minute
- A bell ring will be heard when the timer times out and returns to Zero position.

2) Function/Power knob

There are 6 power levels:

HIGH	100% power output	(Quick cooking)
M.High	85% power output	(Normal cooking)
Med	66% power output	(Slow cooking)
M.Low	40% power output	(Drinks or soup)
Defrost	37% power output	(Defrost)
LOW	17% power output	(Keep warm)

The following table provides a reference defrost time length for various foods:

	WEIGHT RANGE	DEFROST LENGTH
Meat	0.1~1.0kg	1:30~26:00
Poultry	0.2~1.0kg	2:30~22:00
Seafood	0.1~0.9kg	1:30~14:00

OPERATION

- 1) Connect the cord
 - Before connecting the cord, make sure the timer is set to "0" position
 - Do not block the ventilation
- 2) Place the food on the glass turntable and close the door
 - Food must be contained in a utensil
- 3) Select the desired power level
- 4) Set the timer
 - If desired time is less than 10 minutes, turn the timer knob to over 10 minutes position and then turn back to the desired time setting.
- 5) Once the desired time is set, the cooking begins. If pausing in between is needed, just open the door at any time, and close it to resume operation
- 6) When it times out and cooking ends, the microwave oven produces a bell ring, the inside lamp will also be automatically turned off
 - If food is removed before time out, make sure to set back the timer to "0" position, this avoids the microwave oven from operating in empty load.

UTENSILS GUIDELINE

It is strongly recommended to use the containers which are suitable and safe for microwave cooking. Generally speaking, the containers which are made of heat-resistant ceramic, glass or plastic are suitable for microwave cooking. Never use the metal containers for microwave cooking and combination cooking as spark is likely to occur. You can take the reference of below table.

Material of container	Microwave	Notes
Heat-resistant ceramic	Yes	Never use the ceramics which are decorated with metal rim or glazed
Heat-resistant plastic	Yes	Can not be used for long time microwave cooking
Heat-resistant glass	Yes	
Plastic film	Yes	It should not be used when cooking meat or chops as the over-temperature may do damage to the film
Grill rack	No	
Metal container	No	It should not be used in microwave oven .Microwave can not penetrate through metal.
lacquer	No	Poor heat-resistant. Can not be used for High-temperature cooking
Bamboo wood and paper	No	Poor heat-resistant. Can not be used for High-temperature cooking

COOKING TIPS

The following factors may affect the cooking result:

Food arrangement

Place thicker areas towards outside of dish, the thinner part towards the centre and spread it evenly. Do not overlap if possible.

Cooking time length

Start cooking with a short time setting, evaluate it after it times out and extend it according to the actual need. Over cooking may result in smoke and burns.

Cooking food evenly

Food such as chicken, hamburger or steak should be turned once during cooking.

Depending on the type of food, if applicable, stir it from outside to centre of dish once or twice during cooking

Allow standing time

After cooking times out, leave the food in the oven for an adequate length of time, this allows it to complete its cooking cycle and cooling it down in a gradual manner

Whether the food is done

Color and hardness of food help to determine if it is done, these include:

- Steam coming out from all parts of food, not just the edge
- Joints of poultry can be moved easily
- Pork or poultry shows no signs of blood
- Fish is opaque and can be sliced easily with a fork

Browning dish

When using a browning dish or self-heating container, always place a heat-resistant insulator such as a porcelain plate under it to prevent damage to the turntable and rotating ring.

Microwave safe plastic wrap

When cooking food with high fat content, do not allow the plastic wrap come into contact with food as it may melt

Microwave safe plastic cookware

Some microwave safe plastic cookware might not be suitable for cooking foods with high fat and sugar content. Also, the preheating time specified in the dish instruction manual must not be exceeded.

MAINTENANCE

SERVICING

Please check the following before calling for services.

1. Place one cup of water (approx.150ml) in a glass measure in the oven and close the door securely. Oven lamp should go off if the door is closed properly. Let the oven work for 1 min.
2. Does the oven lamp light?
3. Does the cooling fan work?
(Put your hand over the rear ventilation openings.)
4. Does the turntable rotate?
(The turntable can rotate clockwise or counter clockwise. This is quite normal.)
5. Is the water inside the oven hot?

If “NO” is the answer to any of the above questions, please check your wall socket and the fuse in your meter box.

If both the wall socket and the fuse are functioning properly, CONTACT YOUR NEAREST SERVICE CENTER APPROVED.

SERVICING SAFEGUARDS

Caution: MICROWAVE RADIATION

1. The high voltage capacitor remains charge after disconnection; short the negative terminal of H. V capacitor to the oven chassis (use a screwdriver) to discharge before touching.

2. During servicing below listed parts are liable to be removed and give access to potentials above 250V to earth.

- Magnetron
- High voltage transformer
- High voltage capacitor
- High voltage diode
- High voltage fuse

3. The following conditions may cause undue microwave exposure during servicing.

Improper fitting of magnetron;

Improper matching of door interlock, door hinge and door;

Improper fitting of switch support;

Door, door seal or enclosure has been damaged.

ALL RIGHTS RESERVED, COPYRIGHT DENVER ELECTRONICS A/S

DENVER®

www.denver-electronics.com



Electric and electronic equipment contains materials, components and substances that can be hazardous to your health and the environment, if the waste material (discarded electric and electronic equipment) is not handled correctly.

Electric and electronic equipment is marked with the crossed out trash can symbol, seen below. This symbol signifies that electric and electronic equipment should not be disposed of with other household waste, but should be disposed of separately.

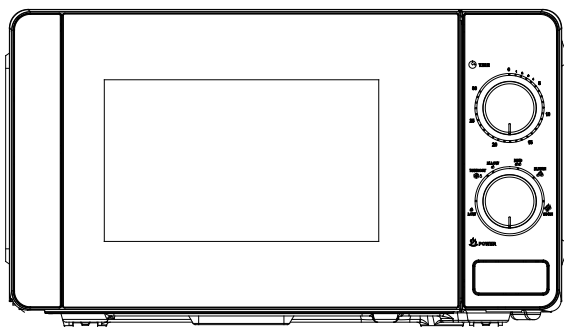
All cities have established collection points, where electric and electronic equipment can either be submitted free of charge at recycling stations and other collection sites, or be collected from the households. Additional information is available at the technical department of your city.

Imported by:
DENVER ELECTRONICS A/S
Omega 5A, Soeften
DK-8382 Hinnerup
Denmark
[facebook.com/denverelectronics](https://www.facebook.com/denverelectronics)

DENVER®

HORNO MICROONDAS

MANUAL DE INSTRUCCIONES



OM-2020

www.denver-electronics.com

**INSTRUCCIONES IMPORTANTES DE SEGURIDAD
LÉALO DETENIDAMENTE Y GUÁRDELO COMO
REFERENCIA FUTURA**

Español

MEDIDAS DE SEGURIDAD IMPORTANTES

Se deben seguir siempre las siguientes precauciones básicas cuando se usa un aparato eléctrico:

1. Lea todas las instrucciones antes de usarlo.
2. Asegúrese de que la tensión de la zona donde vive se corresponde con la que se muestra en la etiqueta de calificación del aparato. Y que la toma de pared esté debidamente conectada a tierra.
3. Para reducir el riesgo de incendio en la cavidad del horno:
 - a. No sobrecaliente los alimentos.
 - b. Retire los lazos de torcedura del papel o bolsas de plástico antes de coloque bolsas en el horno.
 - c. No caliente aceite o grasa para una fritura ya que no se puede controlar la temperatura del aceite.
 - d. Tras su uso, limpie la cubierta de la guía de ondas con un paño húmedo, seguido de un paño seco para eliminar cualquier salpicadura de alimentos o grasa. La grasa acumulada puede sobrecalentarse y empezar a causar humo o provocar un incendio.
 - e. Si los materiales dentro del horno expulsan humo o se enciendan, mantenga cerrada la puerta del horno, apáguelo y desconecte la alimentación.
 - f. Cuando caliente alimentos en recipientes de plástico o papel, esté atento al horno ya que existe la posibilidad de ignición.
4. Para reducir el riesgo de explosión y hervido súbito:
 - a. **ADVERTENCIA:** No se deben calentar líquidos u otros alimentos en un recipiente sellado ya que es probable

que exploten; los biberones equipados con un tapón de rosca o tetina se consideran recipientes sellados.

- b.** El líquido cocinado no debe retirarse inmediatamente. Se deben esperar varios momentos antes de retirarlo. Para evitar posibles riesgos causados por el hervido de líquidos eruptivo retardado.
- c.** Las patatas, salchichas y castañas deben pelarse o perforarse antes de su cocinado. No se deben calentar en el microondas los huevos con cáscara y los huevos cocidos enteros ya que pueden explotar, incluso después de que haya finalizado el calentamiento con el microondas.
- d.** Los contenidos de los biberones y los tarros de alimentos infantiles deben mezclarse o agitarse y se debe comprobar la temperatura antes de consumirlos para evitar quemaduras.
- 5.** Si el cable de alimentación está dañado, el fabricante, o su agente de servicio o un técnico cualificado deben sustituirlo para evitar un riesgo de descarga eléctrica.
- 6.** Tras el cocinado, el recipiente está muy caliente. Use guantes para extraer los alimentos y evitar quemaduras por vapor alejando el vapor del rostro y las manos.
- 7.** Levante lentamente el borde más alejado de la cubierta del plato y el envoltorio de plástico de microondas y abra con cuidado las palomitas de maíz o las bolsas de cocinado para microondas alejadas del rostro.
- 8.** Para evitar que el plato se rompa:
 - a.** Deje que el plato se enfríe antes de limpiarlo.
 - b.** No coloque alimentos calientes o utensilios sobre el plato frío.
 - c.** No coloque alimentos congelados o utensilios sobre el plato caliente.

9. Asegúrese de que los utensilios no tocan las paredes interiores durante el cocinado.
10. Use únicamente utensilios que sean aptos para su uso en hornos microondas.
11. No guarde alimentos u otras cosas en el interior del horno.
12. No opere el horno sin ningún líquido o alimento en su interior. Esto dañará el horno.
13. Los niños sol deben usar el horno bajo la supervisión de un adulto debido las temperaturas que se generan.
14. Cualquier accesorio no recomendado por el fabricante puede provocar lesiones en personas.
15. No lo use en el exterior.
16. Guarde estas instrucciones.
17. **ADVERTENCIA:** Si la puerta o los sellos de la puerta están dañado o el horno no funciona correctamente, no debe operarse el horno hasta que una persona competente lo haya reparado;
18. **ADVERTENCIA:** Es peligroso que cualquiera salvo una persona competente realice cualquier mantenimiento o reparación que implique la retirada de la carcasa que le ofrece protección frente a la exposición a la energía microondas;
19. Si se emite humo, apague o desenchufe el aparato y mantenga la puerta cerrada para sofocar cualquier llama;
20. El calentamiento al microondas de bebidas puede producir un hervido retardado eruptivo; por lo tanto, se debe tener cuidado cuando maneje el recipiente;
21. No use limpiadores abrasivos duros o rayadores

metálicos afilados para limpiar el cristal de la puerta del horno ya que pueden rayar la superficie, lo que puede provocar el resquebrajamiento del cristal.

- 22.** La bombilla del horno microondas no está diseñada para otra finalidad.
- 23.** El aparato no está diseñado para operarse por medio de un temporizador externo p un sistema de control remoto a distancia.
- 24.** Este aparato está diseñado para usarse en aplicaciones domésticas o similares, como:
 - Áreas de personal de cocina en tiendas, oficinas y otros entornos laborales;
 - Casas rurales;
 - Por clientes en hoteles, moteles y otros entornos residenciales;
 - Entornos tipo casas de huéspedes.
- 25.** El horno microondas está diseñado para calentar alimentos y bebidas. El secado de alimentos o ropa y el calentamiento de mantas eléctricas, zapatillas, esponjas, paños húmedos y similares puede provocar el riesgo de lesiones, ignición o incendio.
- 26.** Este aparato pueden usarlo niños a partir de los 8 años de edad y personas con capacidades físicas, sensoriales o mentales reducidas o con falta de conocimientos o experiencia siempre que se les ofrezca supervisión o se les dé instrucciones respecto al uso de aparatos de manera segura y entiendan los riesgos que implica. Los niños no deben jugar con el aparato. La limpieza y el mantenimiento del usuario no deben hacerlo niños salvo que sean mayores de 8 años y

estén supervisados. Mantenga el aparato y su cable fuera del alcance de los niños menores de 8 años.

27. El aparato no está diseñado para su uso por parte de personas (incluyendo niños) con capacidades físicas, sensoriales o mentales reducidas, o falta de experiencia o conocimientos, salvo que se les haya ofrecido supervisión o formación respecto al uso del aparato por una persona responsable de su seguridad.
28. Los niños deben ser supervisados para asegurarse de que no jueguen con el aparato.
29. No debe usarse un limpiador a vapor.
30. La puerta o la superficie exterior pueden calentarse cuando el aparato esté funcionando.
31. **ADVERTENCIA:** Las piezas accesibles pueden calentarse durante su uso. Se debe mantener alejados a los niños pequeños.
32. Durante su uso, el aparato se calienta. Se debe tener cuidado para evitar tocar los elementos térmicos dentro del horno.
33. El probable que la superficie se caliente durante su uso.



: PRECAUCIÓN: SUPERFICIE CALIENTE

Únicamente uso doméstico

INSTALACIÓN

1. Retire todo el envase. Si hay una película de seguridad sobre el horno, retírela antes de usarlo. Compruebe detenidamente en busca de daños. Si hubiera cualquier

daño, notifíquelo inmediatamente al distribuidor o envíelo al centro de servicio del fabricante.

2. Los hornos microondas deben colocarse en entornos secos y no corrosivos, alejados del calor y la humedad, como una cocina de gas o un depósito de agua.
3. Para asegurar una ventilación suficiente, la distancia de la parte posterior del microondas a la pared debe ser de al menos 10 cm, la distancia del lateral a la pared debe ser de al menos 5 cm, la distancia libre por encima de la superficie superior de al menos 20 cm. y la distancia del microondas al suelo debe ser de al menos 85 cm.
4. La posición del horno será tal que se encuentre alejado de la TV, radio o antena ya que puede distorsionar la imagen. O se puede producir ruido.
5. El aparato debe colocarse de forma que el enchufe sea accesible y debe asegurar una buena toma a tierra en caso de fugas; se puede formar un bucle a tierra para evitar descargas eléctricas.
6. El horno microondas debe operarse con la puerta cerrada.
7. El horno microondas no debe colocarse en un armario. El horno microondas está diseñado para usarse de forma independiente.
8. Como hay residuos de fabricación o aceite que permanece en la cavidad del horno o elemento térmico, normalmente olerá mal, e incluso a humo ligeramente; es normal y no se volverá a producir tras usarlo varias veces; mantenga la puerta o ventana abierta para asegurar una buena ventilación. Así que se recomienda encarecidamente que fije el horno en modo grill y lo opere en seco varias veces.

LIMPIEZA

CUIDADO DEL HORNO MICROONDAS



PRECAUCIÓN

El horno debe limpiarse de forma regular y retirar cualquier depósito de alimentos.



ADVERTENCIA

1. Retire el cable de alimentación de la toma de pared antes de limpiarlo. No sumerja el aparato en agua u otros líquidos cuando lo limpie.
2. En caso de no mantener el horno en condiciones de limpieza se puede provocar el deterioro de la superficie que puede afectar negativamente a la vida útil del aparato y probablemente provocar una situación peligrosa.
3. Nunca use un detergente duro, gasolina, polvo abrasivo o un cepillo metálico para limpiar cualquier pieza del aparato.
4. No retire la cubierta de la guía microondas.
5. Cuando el horno microondas se haya utilizado durante un periodo prolongado de tiempo, puede que el horno presente algunos malos olores; siga 3 métodos para librarse de ellos:
 - a. Coloque varias rodajas de limón en una taza y después caliéntelo con la potencia alta del microondas durante 2-3 minutos.
 - b. Coloque una taza de té rojo en el horno, y después caliéntelo con la potencia alta del microondas.
 - c. Coloque piel de naranja en el horno y después caliéntelo con la potencia alta del microondas durante 1 minuto.

6. ADVERTENCIA: Solo permita que los niños usen el microondas sin supervisión cuando se les haya dado instrucciones adecuadas de forma que el niño pueda usar el horno de forma segura y comprendan los riesgos de un uso inapropiado;

CONSEJOS PARA LA LIMPIEZA

Detalles para la limpieza de sellos de puertas, cavidad y piezas adyacentes:

Exterior:

Limpie la carcasa con un paño suave humedecido

Puerta:

Usando un paño suave humedecido limpie la puerta y la ventana

Limpie los sellos de las puertas y piezas adyacentes para eliminar cualquier salpicadura o derrame

Limpie el panel de control con un paño ligeramente humedecido

Paredes interiores:

Limpie la cavidad con un paño suave humedecido

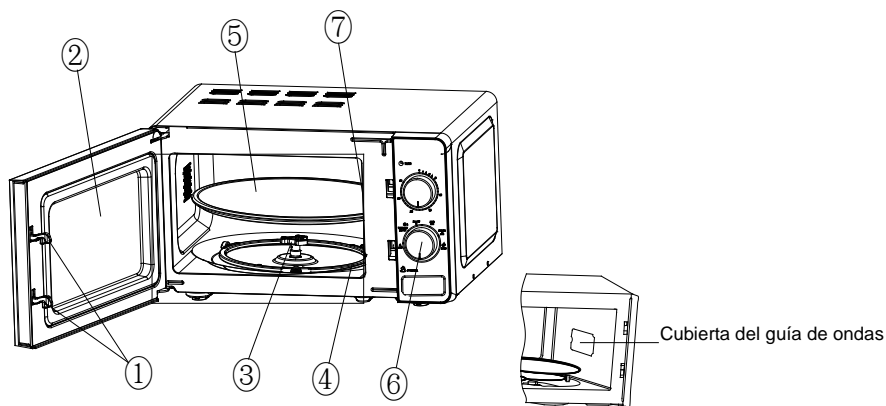
Limpie la cubierta del guía de ondas para eliminar cualquier alimento que haya salpicado

Plato/Anillo de rotación /Eje de rotación:

Lávelo con agua y jabón neutro

Aclárelo con agua limpia y deje que se seque bien

INSTRUCCIONES DEL PRODUCTO



1) Cierre de la puerta

Se debe cerrar debidamente la puerta del horno microondas para que funcione

2) Ventana de visionado

Permite que el usuario vea el estado de cocinado

3) Eje de rotación

El plato de cristal se asienta sobre el eje; el motor debajo del mismo propulsa el plato para que rote

4) Anillo de rotación

El plato de cristal se asienta sobre las ruedas; soporta el plato y ayuda a que mantenga el equilibrio durante la rotación

5) Plato giratorio

Los alimentos se asientan sobre el plato; su rotación durante el funcionamiento ayuda a cocinar los alimentos de forma uniforme



PRECAUCIÓN

- Coloque primero el anillo de rotación
- Ajuste el plato en el eje de rotación y asegúrese de que

encaje debidamente.

6) Panel de control

Véase los detalles que aparecen debajo (el panel de control está sujeto a cambios sin previo aviso)

7) Cubierta del guía de ondas

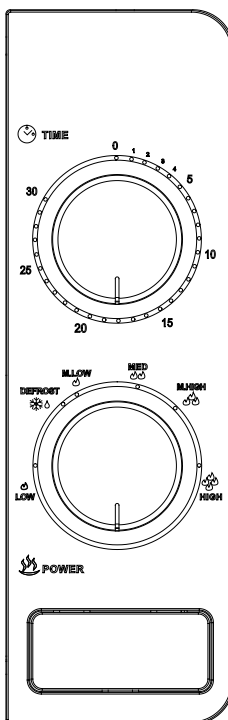
Está dentro del horno microondas, al lado de la pared del panel de control.



ADVERTENCIA

Nunca retire la cubierta del guía de ondas

PANEL DE CONTROL



1) Temporizador

- La duración de tiempo máximo de cocinado se puede fijar en 30 minutos
- Cada ajuste es de 1 minuto
- Sonará un timbre cuando finalice el tiempo en el temporizador y vuelva a la posición cero.

2) Dial de función / potencia

Existen 6 niveles de potencia:

ALTO	Salida de potencia del 100%	(Cocinado rápido)
M. Alto	Salida de potencia del 85%	(Cocinado normal)
Med	Salida de potencia del 66%	(Cocinado lento)
M. bajo	Salida de potencia del 40%	(Bebidas y sopa)
Descongelación	Salida de potencia del 37%	(Descongelación)
BAJO	Salida de potencia del 17%	(Mantiene caliente)

La siguiente tabla ofrece una duración de tiempo de descongelación de referencia para varios alimentos:

	GAMA DE PESO	DURACIÓN DE LA DESCONGELACIÓN
Carne	0.1~1.0kg	1:30~26:00
Pollo	0.2~1.0kg	2:30~22:00
Marisco	0.1~0.9kg	1:30~14:00

FUNCIONAMIENTO

- 1) Conecte el cable
 - Antes de conectar el cable, asegúrese de que el temporizador está fijado en la posición "0".
 - No bloquee la ventilación
- 2) Coloque los alimentos en el plato de cristal y cierre la puerta
 - Los alimentos deben estar en el interior de un envase
- 3) Seleccione el nivel de potencia que desee.
- 4) Fije el temporizador

Si el tiempo que desea es inferior a 10 minutos, gire el dial del temporizador a la posición más de 10 minutos y después vuelva a la configuración de tiempo que desee.
- 5) Una vez que se fija el tiempo, se inicia el cocinado. Si es necesaria una pausa entre media, simplemente abra la puerta en cualquier momento y ciérrela para reanudar el funcionamiento.
- 6) Cuando finaliza el tiempo y finaliza el cocinado, en el horno microondas suena un timbre; asimismo se apaga de forma automática la bombilla del interior.

Si retira los alimentos antes de que acabe el tiempo, asegúrese de volver a colocar el temporizador a la posición "0"; esto evita que el horno microondas opere con una carga vacía.

DIRECTRIZ

Se recomienda encarecidamente que use envases que sean aptos y seguros para el cocinado a microondas. En general, los envases que están hechos de cerámica resistente al calor, cristal o plástico son adecuados para el cocinado a microondas. Nunca use recipientes de metal para el cocinado a microondas y cocinado combinado ya que es probable que se produzca chispas. Puede tomar como referencia la tabla que aparece debajo.

Material del envase	Microondas	Notas
Cerámica resistente al calor	Sí	Nunca use recipientes de cerámica que estén decorados con un borde metálico o acristalado
Plástico resistente al calor	Sí	No se puede utilizar para la cocción microondas durante periodos prolongados de tiempo.
Cristal resistente al calor	Sí	
Película de plástico	Sí	No debe usarse cuando cocine carne o chuletas ya que la sobretemperatura puede causar daños en la película.
Estantería del grill	No	
Envase de metal	No	No debe usarse en un horno microondas. Las microondas no pueden penetrar a través del metal.
Barniz	No	Poco resistente al calor. No puede usarse para cocinados a alta temperatura
Madera de bambú y papel	No	Poco resistente al calor. No puede usarse para cocinados a alta temperatura

CONSEJOS DE COCINADO

Los siguientes factores pueden afectar el resultado del cocinado:

Disposición de los alimentos

Coloque las áreas más gruesas hacia el exterior del plato y las partes más finas hacia el centro y distribúyalo uniformemente. No lo solape si es posible.

Duración del tiempo de cocinado

Empiece a cocinar con una configuración de tiempo corta; evalúela tras finalizar el tiempo y prolongúelo conforme a su necesidad real. Un sobrecocinado puede provocar humos y quemaduras.

Cocinar los alimentos de forma uniforme

Los alimentos como el pollo, las hamburguesas o los filetes deben darse la vuelta una vez durante el cocinado.

Dependiendo del tipo de alimentos, si es aplicable, agítelo desde el exterior hacia el centro del plato una vez o dos veces durante el cocinado.

Deje tiempo de reposo

Una vez que finaliza el tiempo de cocinado, deje el alimento en el horno durante un periodo de tiempo adecuado; esto le permite completar su ciclo de cocción y enfriarse de manera gradual.

Si el alimento está hecho

El color y la dureza del alimento ayuda a determinar si el alimento está hecho; esto incluye:

- Vapor que sale de todas las partes del alimento, no solo del borde.
- Las articulaciones de la carne pueden moverse fácilmente.
- El cerdo o la carne de ave no muestran signos de sangre.
- El pescado es opaco y puede cortarse con facilidad con un tenedor.

Plato dorados

Cuando se use un plato para dorar o un recipiente de autocalentamiento, coloque siempre un aislante resistente al calor como un plato de porcelana bajo el mismo para evitar daños al plato y al anillo de rotación.

Envoltorio de plástico seguro del microondas

Cuando cocine alimentos con un alto contenido en grasa, no permita que el envoltorio de plástico entre en contacto con el alimento ya que puede fundirse.

Recipientes de cocina seguros para microondas

Algunos recipientes de cocina seguros de plástico para microondas puede que no sean adecuados para cocinar alimentos con alto contenido en grasa y azúcar. Asimismo, no debe excederse el tiempo de precalentamiento especificado en el manual de instrucciones del plato.

MANTENIMIENTO

SERVICIO

Por favor, compruebe lo siguiente antes de realizar un servicio.

1. Coloque una taza de agua (aproximadamente 150ml) en un vaso de medida en el microondas y cierre la puerta con seguridad. La bombilla del microondas debe apagarse si la puerta está debidamente cerrada. Deje que el horno funcione durante 1 min.
2. ¿Se enciende la bombilla del microondas?
3. ¿Funciona el ventilador de refrigeración?
(Coloque la mano sobre las aberturas de ventilación traseras.)
4. ¿Gira el plato?
(El plato puede girar en sentido horario o antihorario. Esto es bastante normal.)

5. ¿Está caliente el agua dentro del horno?

Si la respuesta es “NO” a cualquiera de las preguntas que aparecen arriba, por favor, compruebe la toma de pared y el fusible de su tapa del contador.

Si la toma de pared y el fusible funciona perfectamente, **PÓNGASE EN CONTACTO CON SU CENTRO DE REPARACIÓN APROBADO MÁS CERCANO.**

TODOS LOS DERECHOS RESERVADOS, COPYRIGHT DENVER
ELECTRONICS A/S

DENVER®

www.denver-electronics.com



Los equipos eléctricos y electrónicos contienen materiales, componentes y sustancias que pueden ser nocivas para su salud y el medioambiente, si no se maneja correctamente el material de desecho (equipo eléctrico y electrónico desechado).

Los equipos eléctricos y electrónicos aparecen marcados con un símbolo de cubo de basura tachado; véase arriba. Este símbolo significa que los equipos eléctricos y electrónicos no deben eliminarse con el resto de residuos domésticos, sino que deben eliminarse de forma separada.

Todas las ciudades disponen de puntos de recogida establecidos, donde bien se puede enviar los equipos eléctricos y electrónicos de forma gratuita en las estaciones de reciclaje u otros puntos de reciclaje, o que se le recojan de sus domicilios. Puede obtener información adicional en el departamento técnico de su ciudad.

Importador:

DENVER ELECTRONICS A/S

Omega 5A, Soeften

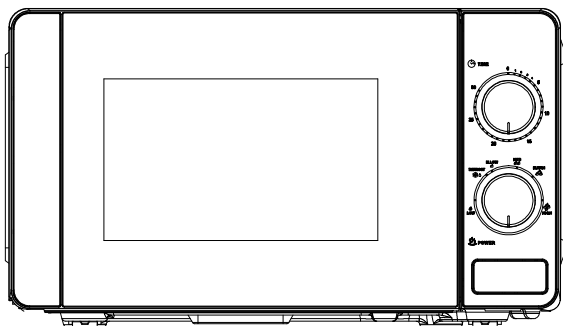
DK-8382 Hinnerup

www.facebook.com/denverelectronics

DENVER®

MIKROFALÓWKA

Szybki przewodnik



OM-2020

www.denver-electronics.com

**WAŻNE ZALECENIA DOTYCZĄCE BEZPIECZEŃSTWA
PROSZĘ UWAŻNIE PRZECZYTAĆ I ZACHOWAĆ NA
PRZYSZŁOŚĆ**

Polski

Tylko do użytku domowego

Aby zapewnić odpowiednią wentylację, odległość tyłu mikrofalówki od ściany powinna wynosić przynajmniej 10 cm; boki powinny być przynajmniej 5 cm od ściany; wolna przestrzeń nad powierzchnią urządzenia przynajmniej 20 cm; odległość mikrofalówki od podłogi przynajmniej 85 cm.

Urządzenie musi być umieszczone tak, by wtyczka była dostępna oraz należy zapewnić dobre uziemienie w przypadku przecieku; może uformować się pętla uziemienia, chroniąca przez porażeniem elektrycznym.

Mikrofalówka musi pracować przy zamkniętych drzwiczkach.

Mikrofalówka nie może być umieszczona we wnęce kredensu. Mikrofalówka powinna być wolno stojąca.

Podczas pierwszego użycia może wydobywać się zapach. Jest to całkowicie normalne i zniknie po kilku użyciach mikrofalówki.

CZYSZCZENIE

KONSERWACJA MIKROFALÓWKI



OSTROŻNIE

Mikrofalówka powinna być regularnie czyszczona, a wszelkie pozostałości żywności usunięte. Podczas pracy mikrofalówka nagrzewa się.



OSTRZEŻENIE

1. Przed czyszczeniem odłącz kabel zasilania od gniazda ściennego. Nie zanurzaj urządzenia w wodzie ani innych płynach podczas czyszczenia.

Wytrzyj wnętrze i obudowę mikrofalówki miękką zwilżoną szmatką.

Jeśli wewnątrz mikrofalówki czuć zapach, postaw szklanekę z wodą i plasterkami cytryny i włącz na 1 minutę przy pełnej mocy

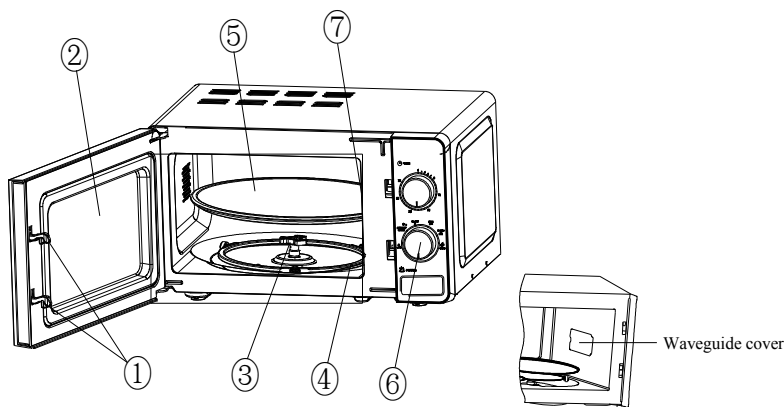
(pamiętaj, że woda/szklanka nagrzeją się).

Talerz obrotowy/pierścień obrotowy/oś obrotowa:

Myj lekko namydloną wodą

Płucz czystą wodą i pozwól na całkowite wyschnięcie

INSTRUKCJA PRODUKTU



English	Polski
Waveguide cover	Uszczelka mikrofal

1) Blokada drzwiczek

Aby mikrofalówka działała, jej drzwiczki muszą być prawidłowo zamknięte

2) Okienko podglądu

Umożliwia użytkownikowi obserwowanie procesu gotowania

3) Oś obrotowa

Szklany talerz obrotowy znajduje się na osi; silnik pod spodem napędza obracanie talerza

4) Pierścień obrotowy

Szklany talerz obrotowy stoi na kółkach; podpira on talerz obrotowy i pomaga zachować równowagę podczas obracania

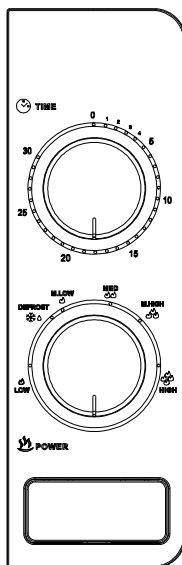
5) Talerz obrotowy

Żywność znajduje się na talerzu obrotowym

6) Panel sterowania — ustawia czas i moc mikrofalówki

7) Uszczelka mikrofal — NIGDY nie należy jej usuwać

OBSŁUGA PANELU STEROWANIA



1) Minutnik

- Maksymalny czas gotowania może być ustawiony na 30 minut.
- Każde ustawienie to 1 minuta
- Gdy minutnik osiągnie pozycję zero, rozlegnie się dźwięk dzwonka.

2) Pokrętło funkcji/włączania

Dostępnych jest 5 poziomów mocy:

Wysoki	100% wyjście mocy	(szybkie gotowanie)
m.Wysoki	85% wyjście mocy	(normalnie gotowanie)
Średni	66% wyjście mocy	(wolne gotowanie)
m.Niska	40% wyjście mocy	(Napoje lub zupa)
Rozmrażać	37% wyjście mocy	(rozmrzanie)
Niska	17% wyjście mocy	(podgrzewanie)

DZIAŁANIE

- 1) Podłącz kabel
 - Przed podłączeniem kabla upewnij się, że minutnik jest ustawiony na „0”
 - Nie blokuj wentylacji
- 2) Umieść żywność na szklanym talerzu obrotowym i zamknij drzwiczki; żywność musi znajdować się w naczyniu
- 3) Wybierz żądany poziom mocy
- 4) Ustaw minutnik

Jeśli żądany czas jest krótszy niż 10 minut, przekręć pokrętko minutnika do pozycji ponad 10 minut, a następnie z powrotem na żądany czas
- 5) Gdy żądany czas zostanie ustawiony, rozpocznie się gotowanie. Jeśli konieczne jest wstrzymanie, otwórz w każdej chwili drzwiczki, po czym zamknij, by kontynuować
- 6) Gdy czas minie i gotowanie się zakończy, rozlegnie się dźwięk dzwonka, a lampka wewnątrz automatycznie zgaśnie
 - Jeśli żywność zostanie wyjęta, zanim minie czas gotowania, upewnij się, że minutnik jest z powrotem ustawiony w pozycji „0”; uniknie to włączenia się mikrofalówki, gdy jest pusta
 - Zalecamy, by podczas wyjmowania jedzenia z mikrofalówki

mieć na rękach rękawice kuchenne.

Ostrzeżenie: Nigdy nie używaj metalowych przedmiotów w mikrofalówce.

Jeśli mikrofalówka nie działa prawidłowo, proszę skontaktować się z najbliższym punktem serwisowym lub sklepem, w którym została kupiona. Nigdy nie próbuj naprawiać jej samodzielnie.

DENVER®

www.denver-electronics.com



Urządzenia elektryczne i elektroniczne oraz baterie zawierają materiały, komponenty i substancje, które mogą być niebezpieczne dla zdrowia i środowiska, jeżeli zużyte materiały (urządzenia elektryczne i elektroniczne oraz baterie) nie są utylizowane prawidłowo.

Urządzenia elektryczne i elektroniczne oraz baterie są oznaczone symbolem przekreślonego pojemnika na śmieci (zob. poniżej). Ten symbol oznacza, że urządzenia elektryczne i elektroniczne oraz baterie nie powinny być utylizowane razem z odpadami komunalnymi.

Ważne jest, abyś jako użytkownik końcowy wyrzucał zużyte baterie w odpowiednich i przeznaczonych do tego miejscach. W ten sposób można zapewnić prawidłowy recykling zużytych baterii zgodnie z przepisami i bez zagrożenia środowiska.

We wszystkich miastach wyznaczono punkty zbiórki (np. recykling), w których można bezpłatnie oddać zużyte urządzenia elektryczne i elektroniczne oraz baterie, a nawet zapewniono możliwość ich odbioru w miejscu zamieszkania użytkowników. Dodatkowe informacje można uzyskać w wydziale technicznym urzędu miasta.

Importer:

DENVER ELECTRONICS A/S

Omega 5A, Soefte

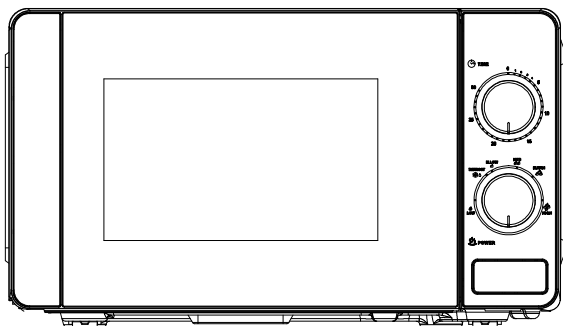
DK-8382 Hinnerup

www.facebook.com/denverelectronics

DENVER®

MIKROVÅGSUGN

Snabbstarts-guide



OM-2020

www.denver-electronics.com

**VIKTIGA SÄKERHETSANVISNINGAR
LÄS NOGGRANT OCH SPARA DEM FÖR FRAMTIDA
REFERENS**

Swedish

Endast för bruk i hushåll

För att säkerställa tillräcklig ventilation, ska avståndet mellan mikrovågsugn och vägg vara minst 10 cm. Sidan mot väggen ska vara minst 5 cm, och det fria avståndet över toppytan ska vara minst 20 cm. Mikrovågsugnens avstånd till marken ska vara minst 85 cm.

Apparaten måste placeras så att kontakten är tillgänglig och att god jordning vid läckage. Jordslinga kan formas för att undvika elektriska stötar.

Mikrovågsugnen ska användas med luckan stängd.

Mikrovågsugnen får inte placeras i ett skåp. Mikrovågsugnen är endast avsedd att användas som fristående.

Vid första användningen kan den avge viss lukt. Detta är helt normalt, och kommer att försvinna efter bara några användningar av mikrovågsugnen.

RENGÖRING

SKÖTSEL AV MIKROVÅGSUGN



FÖRSIKTIGHET

Ugnen ska rengöras regelbundet och eventuella matrester ska avlägsnas. Ugnen blir varm när den används.



VARNING

1. Dra ut stickkontakten ur vägguttaget innan du rengör den. Sänk inte apparaten i vatten eller andra vätskor när du rengör den.

Torka rent insidan på ugnen med en fuktad mjuk trasa

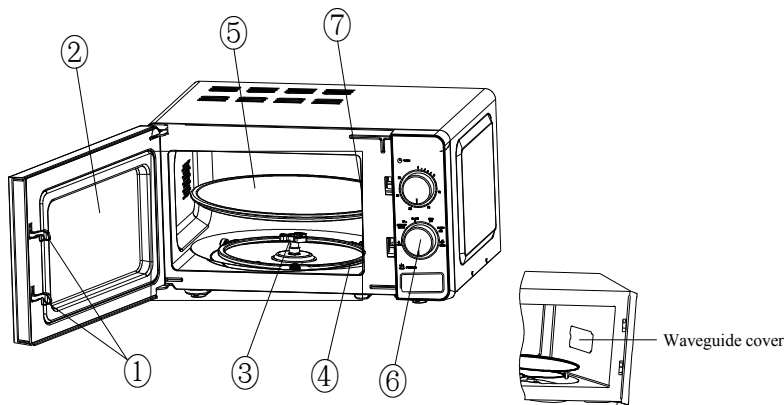
Om du känner av en lukt inuti ugnen, ska du placera en kopp vatten med citronskivor och köra den 1 minut vid full effekt (observera att vattnet/glaset blir varmt)

Roterande tallrik/ Rotationsring/Rotationsaxel:

Tvätta med mild tvålatten

Skölj med rent vatten och torka noggrant

PRODUKTANVISNING



English	Swedish
Waveguide cover	Vågledarskydd

1) Luckans lås

Luckan till mikrovågsugnen måste vara ordentligt stängd för att den ska kunna fungera

2) Visningsfönster

Tillåter användaren att se status på matlagningen

3) Roterande axel

Den roterande tallriken sitter på axeln; motorn nedanför får den roterande tallriken att rotera

4) Roterande ring

Den roterande tallriken sitter på hjulen; den stöder Den tallriken och hjälper till att balansera den vid rotering

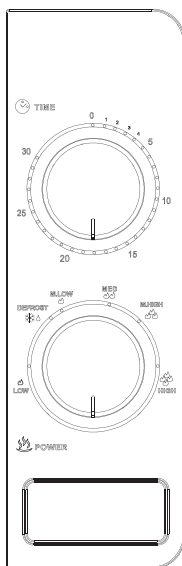
5) Skivtallrik

Maten är placerad på talliken

6) Kontrollpanel - justera tid och mikrovågseffekt

7) Vågledarskydd – Ta ADRIG bort det

ANVÄNDNING AV KONTROLLPANEL



1) Timer

- Den maximala längden på matlagning som kan ställas in är 30 minuter.
- Varje inställning är 1 minut
- En klocka ringer varje gång timern löper ut och återgår till nollposition.

2) Funktion/strömknapp

Det finns 5 effektnivåer för mikrovågsugnen:

Hög	100% effektutgång	(Snabbkokning)
m.Hög	85% effektutgång	(Normal matlagning)
Medium	66% effektutgång	(Långsam matlagning)

m.Låg	40% effektutgång	(Drycker eller soppa)
Avfrostning	37% effektutgång	(Avfrostning)
Låg	17% effektutgång	(Hålla varm)

DRIFT

- 1) Anslut sladden
 - Kontrollera att timern är inställd på läget "0", innan du ansluter sladden
 - Blockera inte ventilationen
- 2) Placera maten på glastallriken och stäng luckan. Maten ska vara placerad på ett kokkärl.
- 3) Välj önskad effektnivå
- 4) Ställ in timern
Om önskad tid är mindre än 10 minuter, vrid timerknappen till över 10 minuter och vrid sedan tillbaka till önskad tidsinställning
- 5) När önskad tid är inställd, börjar tillagningen. Om mikrovågsugnen behöver pausas, kan du öppna luckan när som helst och stäng den därefter för att återuppta driften
- 6) När tiden gått ut och matlagningen är klar avger mikrovågsugnen en ringsignal och den inbyggda lampan slås också automatiskt av
 - Om maten tas ut före inställd tid, ska du se till att timern återställs till "0"-läge. Detta gör att mikrovågsugnen inte körs tom.
 - Det rekommenderas att du använder handskar när den färdiga maten ska tas ur ugnen.

Varning: Använd aldrig några metallföremål i mikrovågsugnen.

Om mikrovågsugnen inte fungerar som den ska, ska du kontakta närmaste servicecenter eller varuhus där du köpte den. Försök aldrig att reparera ugnen på egen hand.

DENVER®

www.denver-electronics.com



Elektrisk och elektronisk utrustning och tillhörande batterier innehåller material, komponenter och ämnen som kan vara skadliga för hälsan och miljön om avfallet (kasserad elektrisk och elektronisk utrustning och batterier) inte hanteras korrekt.

Elektrisk och elektronisk utrustning och batterier är märkta med en symbol i form av en överstruken soptunna (syns nedan). Denna symbol visar att elektrisk och elektronisk utrustning och batterier inte bör slängas tillsammans med annat hushållsavfall, utan ska istället slängas separat.

Som slutanvändare är det viktigt att du lämnar in dina använda batterier i en för ändamålet avsedd facilitet. På det viset säkerställer du att batterierna återvinns lagenligt och att de inte skadar miljön.

Alla kommuner har etablerat uppsamlingsställen där elektrisk och elektronisk utrustning och batterier antingen kan lämnas in kostnadsfritt i återvinningsstationer eller hämtas från hushållen. Vidare information finns att tillgå hos din kommuns tekniska förvaltning.

Importör:

DENVER ELECTRONICS A/S

Omega 5A, Soeften

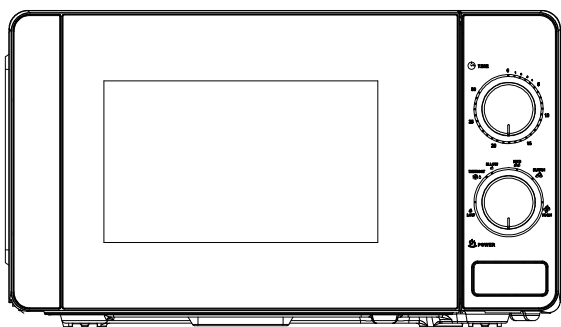
DK-8382 Hinnerup

www.facebook.com/denverelectronics

DENVER®

MICRO-ONDAS

Manual de início rápido



OM-2020

www.denver-electronics.com

**INSTRUÇÕES IMPORTANTES DE SEGURANÇA
LER CUIDADOSAMENTE E GUARDAR PARA CONSULTA
FUTURA**

Português

Apenas para uso doméstico.

Para assegurar ventilação suficiente, a distância da parte de trás do micro-ondas até à parede deve ser no mínimo de 10 cm, da parte lateral até à parede deve ser no mínimo de 5 cm, a distância livre acima da parte superior deve ser no mínimo 20 cm, a distância do micro-ondas ao solo deve ser de pelo menos 85 cm.

O aparelho deve estar posicionado de modo que a ficha esteja acessível e deve dispôr de uma boa ligação a terra no caso de fuga pode ser formado um circuito de terra para evitar o choque elétrico.

O micro-ondas deve ser operado com a porta fechada.

O micro-ondas não deve ser colocado dentro de um armário. O micro-ondas é concebido para ser utilizado de forma independente.

A primeira vez que for utilizado pode produzir algum odor. Isto é perfeitamente normal e desaparecerá após algumas utilizações do micro-ondas.

LIMPEZA

CUIDAR DO MICRO-ONDAS



CUIDADO

O micro-ondas deve ser limpo regularmente e serem removidos alguns resíduos de alimentos que possam existir no mesmo. O micro-ondas ficará quente quando está a ser usado.



AVISO

1. Remover o cabo de alimentação da tomada de parede antes de efetuar a limpeza. Não submergir o aparelho em água ou outros líquidos quando estiver a fazer a limpeza.

Limpar o forno na parte de dentro e no exterior com um pano

macio humedecido.

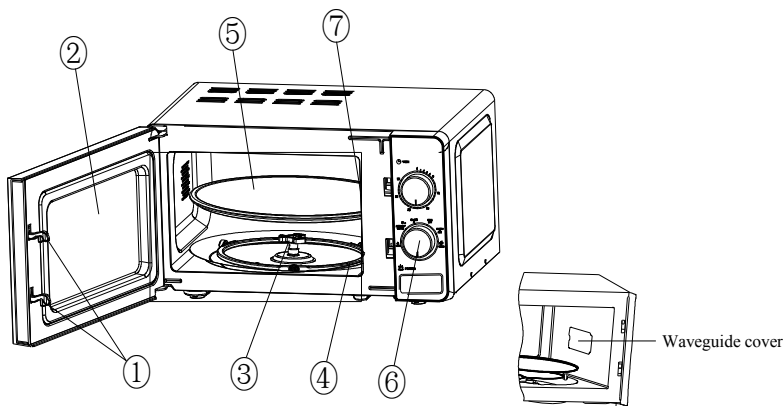
Se houver algum odor no interior do micro-ondas, deve colocar uma taça com água e rodela de limão e ligar o mesmo durante 1 minuto com a potência máxima (ter em atenção que a água/vidro irão ficar quentes)

Prato giratório/Anel de rotação/Eixo de rotação

Lavar com água com detergente suave.

Lavar com água abundante e permitir que seque bem.

INSTRUÇÕES DO PRODUTO



English	Português
Waveguide cover	Tampa da guia da onda

1) Fecho da porta

A porta do micro-ondas deve estar adequadamente fechada de modo a poder funcionar

2) Janela de visualização

Permite que o utilizador verifique o estado da cozedura

3) Eixo rotativo

O prato giratório assenta no eixo, o motor por baixo do mesmo faz acionar o prato giratório

4) Anel de rotação

O prato giratório em vidro assenta nos respetivos rodízios, suporta o prato giratório e ajuda a que o mesmo fique equilibrado quando está a rodar.

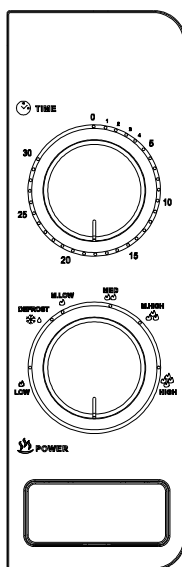
5) Prato giratório

Os alimentos são colocados no prato giratório

6) Painel de controlo - ajustar a hora e a potência do micro-ondas

7) Tapa da guia da onda - NUNCA remover isto

FUNCIONAMENTO DO PAINEL DE CONTROLO



1) Temporizador

- A duração do tempo máximo de cozedura que pode ser definido é de 30 minutos.
- Cada definição é de 1 minuto
- Será produzido um som de campainha quando os tempos do temporizador são atingidos e volta à posição zero.

2) Botão de funcionamento/Potência

O micro-ondas tem cinco níveis de potência

Alto	Saída de tensão 100%	(Cozedura rápida)
m.Alto	Saída de tensão 85%	(Cozedura normal)
Médio	Saída de tensão 66%	(Cozedura lenta)
m.Baixo	Saída de tensão 40%	(Bebidas ou sopa)
Descongelar	Saída de tensão 37%	(Descongelar)
Baixo	Saída de tensão 17%	(Manter quente)

FUNCIONAMENTO

- 1) Ligar o cabo
 - Antes de ligar o cabo, assegurar que o temporizador está colocado na posição “0”.
 - Não bloquear a ventilação.
- 2) Colocar os alimentos no prato giratório de vidro e fechar a porta; os alimentos devem estar dentro de um recipiente.
- 3) Selecionar o nível de potência pretendido.
- 4) Definir o temporizador

Se o tempo pretendido for inferior a 10 minutos, rodar o botão do temporizador para mais 10 minutos e depois voltar à definição do tempo pretendido.
- 5) Depois de ser definido o tempo pretendido,tem início a cozedura. Se for necessário interromper, basta abrir a porta em qualquer momento e fechar a mesma para retomar o funcionamento
- 6) Quando atinge o tempo limite e a cozedura termina, o micro-ondas produz um som de campainha, a lâmpada interior

também será automaticamente desligada.

- Se os alimentos forem retirados antes do tempo limite, assegurar que coloca de novo o temporizador na posição “0”, isto evita que o micro-ondas funcione quando está vazio.
- É recomendado usar luvas quando remover os alimentos cozinhados do forno.

Aviso: Nunca usar nada em metal dentro do micro-ondas.

Se o micro-ondas não estiver a funcionar corretamente, deve contactar o centro de assistência mais próximo ou o estabelecimento onde o comprou. Nunca tentar reparar o micro-ondas de forma autónoma.

TODOS OS DIREITOS RESERVADOS, COPYRIGHT DENVER ELECTRONICS A/S

DENVER®

www.denver-electronics.com



Equipamentos elétricos e eletrônicos, bem como as pilhas que os acompanham, contêm materiais, componentes e substâncias que podem ser perigosos para a sua saúde e para o meio ambiente, caso os materiais usados (equipamentos elétricos e eletrônicos deitados fora, incluindo pilhas) não sejam eliminados corretamente.

Os equipamentos elétricos e eletrônicos, bem como as pilhas, vêm marcados com um símbolo composto de um caixote do lixo e um X, como mostrado abaixo. Este símbolo significa que os equipamentos elétricos e eletrônicos, bem como as pilhas, não devem ser eliminados em conjunto com o lixo doméstico, mas separadamente.

Como utilizador final, é importante que entregue as suas pilhas usadas numa unidade de reciclagem adequada. Assim, certamente as pilhas serão recicladas de acordo com a legislação e o meio ambiente não será prejudicado.

Todas as cidades possuem pontos de recolha específicos, onde os equipamentos elétricos e eletrônicos, bem como as pilhas, podem ser enviados gratuitamente para estações de reciclagem e para outros

locais de recolha ou recolhidos na sua própria casa. O departamento técnico da sua cidade disponibiliza informações adicionais quanto a isto.

Importador:

DENVER ELECTRONICS A/S

Omega 5A, Soeften

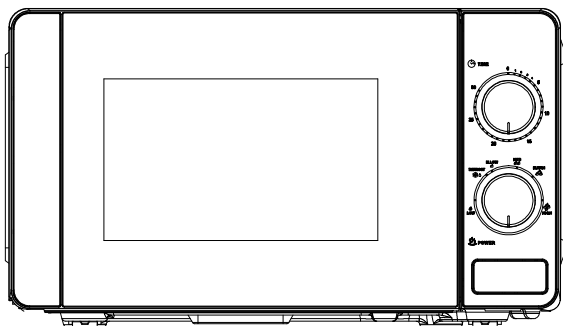
DK-8382 Hinnerup

www.facebook.com/denverelectronics

DENVER®

MIKROBØLGEOVN

Guide for hurtigstart



OM-2020

www.denver-electronics.com

**VIKTIGE SIKKERHETSINSTRUKSER:
LES NØYE OG OPPBEVAR FOR SENERE BRUK**

Norsk

Kun for husholdningsbruk

For å sikre tilstrekkelig ventilasjon skal avstanden fra mikrobølgeovnen til veggen være minst 10 cm, avstand fra siden til veggen skal være minst 5 cm, fri avstand over toppflaten, minst 20 cm. Avstanden fra mikrobølgeovnen til bakken skal være minst 85 cm.

Apparatet må plasseres slik at støpselet er tilgjengelig, og må sikre god jordforbindelse dersom lekkasje, jordsløyfe kan dannes for å unngå elektrisk støt.

Mikrobølgeovnen må betjenes med døren lukket.

Mikrobølgeovnen må ikke plasseres i et skap. Mikrobølgeovnen er ment å brukes frittstående.

Første gangs bruk kan gi litt lukt. Dette er helt normalt, og vil gå bort etter bare noen få gangers bruk.

RENGJØRING

VEDLIKEHOLD AV MIKROBØLGEOVNEN

ADVARSEL

Ovnen skal rengjøres regelmessig og eventuelle matinntak fjernes. Ovnen blir varm når den brukes.

ADVARSEL

1. Fjern strømledningen fra stikkontakten før du rengjør. Ikke senk apparatet i vann eller andre væsker ved rengjøring.

Tørk ovnen innvendig og utvendig med en fuktet myk klut

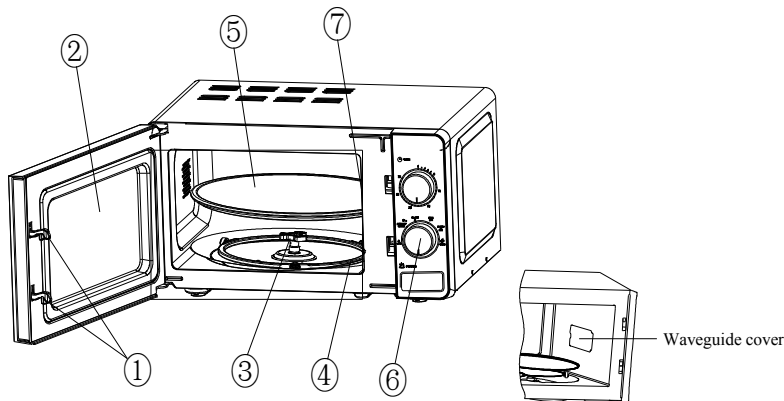
Hvis det er en lukt inne i ovnen, må du sette inn en kopp vann med sitronskiver og gi den 1 minutt med full effekt (pass på at vannet/glasset blir varmt)

Dreieskive/rotasjonsring/rotasjonsakse:

Vask med mildt såpevann

Skyll med rent vann og la det tørke grundig

PRODUKTINSTRUKSJON



English	Norsk
Waveguide cover	Waveguide deksel

1) Dørlås

Mikrobølgeovnen må være ordentlig lukket for at den skal kunne fungere

2) Vindu

Tillat brukeren å se matlagingsstatus

3) Roterende akse

Glassplaten sitter på aksene; Motoren under den kjører dreieskiven for å rotere

4) Roterende ring

Glassplaten sitter på hjulene; den støtter skiven og hjelper den til å balansere når den roterer

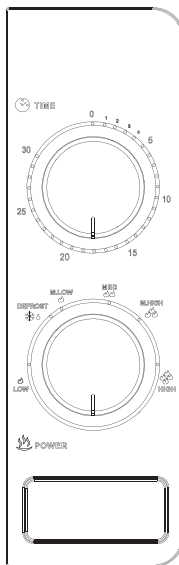
5) Rotasjonsplate

Maten står på platen

6) Kontrollpanel – juster tid og mikrobølgeeffekt

7) Waveguide deksel – Fjern ALDRI dette

BETJENING AV KONTROLLPANEL



1) Tidsur

- Den maksimale koketiden som kan settes, er 30 minutter.
- Hver innstilling er 1 minutt
- Et pling vil bli hørt når tidsuret går ut og går tilbake til nullstilling.

2) Funksjon/Strømbryter

Det er 5 mikrobølgeeffektnivåer:

Høy	100% effektutgang	(Hurtigkoking)
m.Høy	85% effektutgang	(Normal koking)
Medium	66% effektutgang	(Sakte koking)
m.Lav	40% effektutgang	(Drikker eller suppe)
Tine	37% effektutgang	(Tining)
Lav	17% effektutgang	(Hold varm)

BETJENING

- 1) Koble ledningen
 - Før du kobler til ledningen, må du kontrollere at tidsuret er satt til "0" -posisjon
 - Ikke blokkér ventilasjonen
- 2) Plasser maten på glassplaten og lukk døren. mat må være i et kar.
- 3) Velg ønsket strømnivå
- 4) Still inn tidsuret
Hvis ønsket tid er mindre enn 10 minutter, dreier du timerknappen til over 10 minutter og deretter tilbake til ønsket tidsinnstilling
- 5) Når ønsket tid er satt, begynner matlagingen. Hvis pause er nødvendig, åpne døren når som helst og lukk den for å fortsette operasjonen
- 6) Når tiden går ut og kokingen avsluttes, produserer mikrobølgeovnen et klokking, innvendig lampe slås også automatisk av
 - Hvis maten er fjernet før tiden er ute, må du sørge for å stille timeren tilbake til "0" -posisjonen, dette unngår at mikrobølgeovnen går i tom belastning
 - Det anbefales å bruke hansker når du fjerner tilberedt mat fra ovnen.

Advarsel: Bruk aldri metall inne i mikrobølgeovnen.

Hvis mikrobølgeovnen ikke fungerer som den skal, kontakt nærmeste serviceverksted eller butikken der du kjøpte den. Forsøk aldri å reparere ovnen selv.

DENVER®

www.denver-electronics.com



Elektrisk og elektronisk utstyr og batterier inneholder materialer, komponenter og stoffer som kan være farlige for helse og miljøet, hvis avfallet (kasserte elektriske og elektroniske produkter og batterier) ikke håndteres riktig.

Elektrisk og elektronisk utstyr og batterier er merket med en søppelbøtte med kryss over, se nedenfor. Dette symbolet betyr at elektrisk og elektronisk utstyr og batterier ikke må kastes sammen med annet husholdningsavfall, men skal avhendes separat.

Som sluttbruker er det viktig at du sender inn dine brukte batterier til korrekt avfallsordning. På denne måten sikrer du at batteriene blir resirkulert i henhold til lovverket, og ikke skader miljøet.

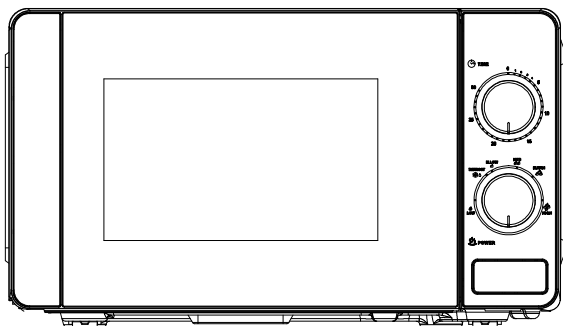
Alle byer har etablert innsamlingspunkter, hvor elektrisk og elektronisk utstyr og batterier kan enten sendes gratis til gjenvinningsstasjoner og andre innsamlingssteder, eller bli hentet direkte fra husholdningene. Mer informasjon er tilgjengelig hos lokale tekniske avdelinger.

Importert av:
DENVER ELECTRONICS A/S
Omega 5A, Soeften
DK-8382 Hinnerup
www.facebook.com/denverelectronics

DENVER®

FORNO A MICROONDE

Guida rapida



OM-2020

www.denver-electronics.com

**ISTRUZIONI DI SICUREZZA IMPORTANTI
LEGGERE CON ATTENZIONE E CONSERVARE PER FUTURA
CONSULTAZIONE**

Italiano

Solo per uso domestico

Per assicurare una ventilazione sufficiente, la distanza del forno a microonde dalla parete deve essere di almeno 10 cm, dal lato alla parete deve essere almeno 5 cm, la distanza libera al di sopra della superficie superiore di almeno 20 cm, la distanza del forno a microonde da terra deve essere di almeno 85 cm.

L'apparecchio deve essere posizionato in modo che la spina sia accessibile e deve assicurare una buona messa a terra in caso di perdita, il circuito di terra deve essere tale da evitare scossa elettrica.

Il forno a microonde deve essere operato con sportello chiuso.

Il forno a microonde non deve essere posto in un mobile. Il forno a microonde è inteso essere usato libero.

Al primo utilizzo può rilasciare un certo odore. Ciò è normale e sparirà dopo alcuni utilizzi del forno a microonde.

PULIZIA

CURA DEL FORNO A MICROONDE

ATTENZIONE

Il forno deve essere pulito con regolarità e devono essere rimossi tutti i depositi di cibo. Il forno diventa caldo durante l'uso.

ATTENZIONE

1. Rimuovere il cavo di alimentazione dalla presa a muro prima della pulizia. Non immergere l'apparecchio in acqua o altri liquidi durante la pulizia.

Asciugare il forno dentro e fuori con un panno morbido umido

Se c'è un cattivo odore nel forno, porre all'interno una tazza di acqua con fette di limone e accendere per 1 minuto a piena

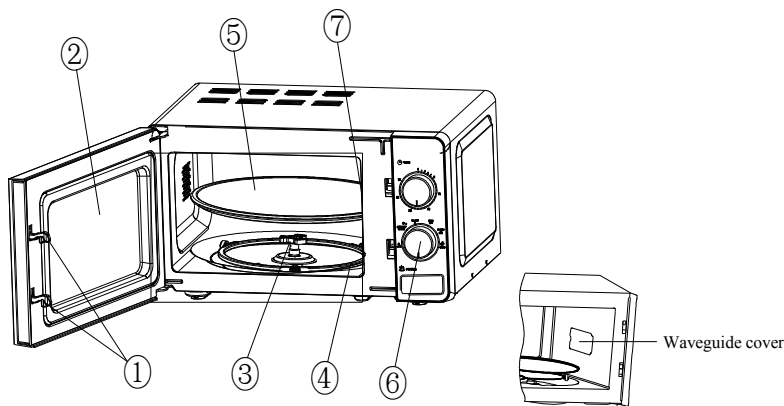
potenza (fare attenzione in quanto acqua/vetro diventano caldi)

Piatto girevole/Anello di rotazione/Asse di rotazione:

Lavare con acqua e sapone delicato

Asciugare con acqua pulita e far asciugare

ISTRUZIONI PRODOTTO



English	Italiano
Waveguide cover	Coperchio guida d'onda

1) Blocco sportello

Lo sportello del forno a microonde deve essere chiuso in modo corretto affinché possa funzionare

2) Finestra di visione

Consente all'utente di vedere lo stato della cottura

3) Asse di rotazione

Il piatto girevole di vetro è posto sull'asse; il motore al di sotto guida il piatto girevole per ruotare

4) Anello di rotazione

Il piatto girevole di vetro è posto sulle sue ruote; esso supporta il piatto girevole e aiuta a bilanciarlo durante la rotazione

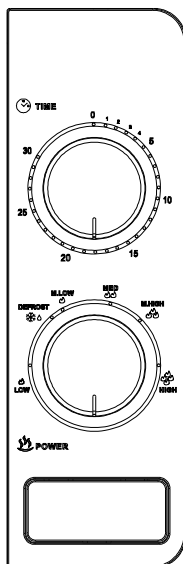
5) Giradischi

Gli alimenti sono posti sul piatto girevole

6) Pannello di controllo – regolare il tempo e la potenza del forno a microonde

7) Coperchio guida d'onda – NON rimuoverlo

FUNZIONAMENTO DEL PANNELLO DI CONTROLLO



1) Timer

- La durata massima del tempo di cottura che può essere impostata è 30 minuti.
- Ogni impostazione è 1 minuto
- Il suono di una campanello sarà udito quando il timer raggiunge la fine e ritorna in posizione Zero.

2) Manopola Funzione/Potenza

Ci sono 5 livelli di potenza delle microonde:

alto	Uscita di potenza 100%	(Cottura rapida)
m.alto	Uscita di potenza 85%	(Cottura normale)
medio	Uscita di potenza 66%	(Cottura lenta)
m.Basso	Uscita di potenza 40%	(Bevande o zupp)
Scongelare	Uscita di potenza 37%	(Scongelamento)
Basso	Uscita di potenza 17%	(Mantenere caldo)

FUNZIONAMENTO

- 1) Collegare il cavo
 - Prima di collegare il cavo, assicurarsi che il timer è impostato in posizione "0"
 - Non bloccare la ventilazione
- 2) Porre il cibo sul piatto girevole di vetro e chiudere lo sportello; il cibo deve essere contenuto in un utensile.
- 3) Selezionare il livello di potenza desiderato
- 4) Impostazione del timer

Se il tempo desiderato è inferiore a 10 minuti, ruotare la manopola del timer sulla posizione 10 minuti e quindi ritornare all'impostazione del tempo desiderata
- 5) Una volta impostato il tempo desiderato, la cottura inizia. Se è necessaria una pausa, basta aprire lo sportello in qualsiasi momento e chiuderlo per riprendere il funzionamento
- 6) Quando il tempo si esaurisce e la cottura finisce, il forno a microonde produce il suono di una campanella, anche la spia all'interno si spegne automaticamente
 - Se il cibo è rimosso prima dell'esaurimento del tempo, assicurarsi di riportare il timer in posizione "0", ciò evita il funzionamento del forno a microonde vuoto

- Si raccomanda di indossare guanti quando si rimuovono gli alimenti cotti dal forno.

Attenzione: Non usare mai metallo all'interno del forno a microonde.

Se il forno a microonde non funziona correttamente, contattare il servizio assistenza più vicino o il negozio in cui si è acquistato. Non cercare mai di preparare da soli il forno.

DENVER®

www.denver-electronics.com



Le apparecchiature elettriche ed elettroniche e le batterie incluse contengono materiali, componenti e sostanze che possono essere pericolose per la salute e per l'ambiente nel caso in cui il materiale di scarto (apparecchiature elettriche ed elettroniche e batterie) non venisse gestito correttamente.

Gli apparati elettrici ed elettronici e le batterie sono contrassegnati con il simbolo del cestino barrato (vedere di seguito). Questo simbolo indica che le apparecchiature elettriche ed elettroniche e le batterie non devono essere smaltite con gli altri rifiuti domestici, ma devono essere smaltite separatamente.

È importante inviare le batterie usate alle strutture appropriate e indicate. In questo modo si ha la garanzia che le batterie verranno riciclate in conformità alla normativa senza danneggiare l'ambiente.

Per le apparecchiature elettriche ed elettroniche e le batterie, tutte le città hanno stabilito dei sistemi di smaltimento che prevedono il conferimento gratuito presso le stazioni di riciclaggio oppure di raccolta porta a porta. Ulteriori informazioni sono disponibili presso l'ufficio

tecnico municipale.

Importato da:

DENVER ELECTRONICS A/S

Omega 5A, Soeften

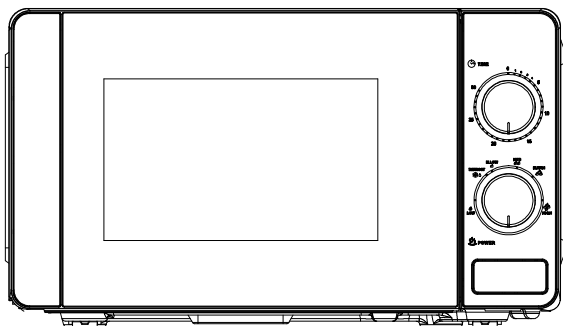
DK-8382 Hinnerup

www.facebook.com/denverelectronics

DENVER®

MIKROWELLENOFEN

Kurzanleitung



OM-2020

www.denver-electronics.com

**WICHTIGE SICHERHEITSHINWEISE
SORGFÄLTIG LESEN UND FÜR SPÄTERE VERWENDUNG
AUFBEWAHREN**

Deutsch

Nur im Haushalt verwenden

Um eine ausreichende Belüftung sicherzustellen, muss der Abstand an der Rückseite des Mikrowellenofens zur Wand mindestens 10 cm betragen, von der Seite zur Wand sollte der Abstand mindestens 5 cm betragen, der freie Abstand an der Oberseite muss mindestens 20 cm betragen, der Abstand vom Mikrowellenofen zum Boden muss mindestens 85 cm betragen.

Das Gerät muss so positioniert werden, dass der Stecker zugänglich ist und eine gute Erdung im Falle einer Leckage muss sichergestellt werden, eine Masseschleife kann gebildet werden, um einen elektrischen Schlag zu vermeiden.

Der Mikrowellenofen muss mit geschlossener Türe betrieben werden.

Der Mikrowellenofen darf nicht in einem Schrank platziert werden. Der Mikrowellenofen ist dazu gedacht, freistehend verwendet zu werden.

Bei der ersten Verwendung kann Geruch entstehen. Dies ist absolut normal und tritt nach einigen Verwendungen des Mikrowellenofens nicht mehr auf.

REINIGUNG

PFLEGE DES MIKROWELLENOFENS



VORSICHT

Der Ofen muss regelmäßig gereinigt und Speisereste müssen entfernt werden. Der Ofen wird bei der Verwendung heiß.



ACHTUNG

1. Trennen Sie vor der Reinigung das Stromkabel von der Wandsteckdose. Tauchen Sie das Gerät bei der Reinigung nicht in Wasser oder andere Flüssigkeiten ein.

Wischen Sie den Ofen innen und außen mit einem feuchten,

weichen Tuch aus.

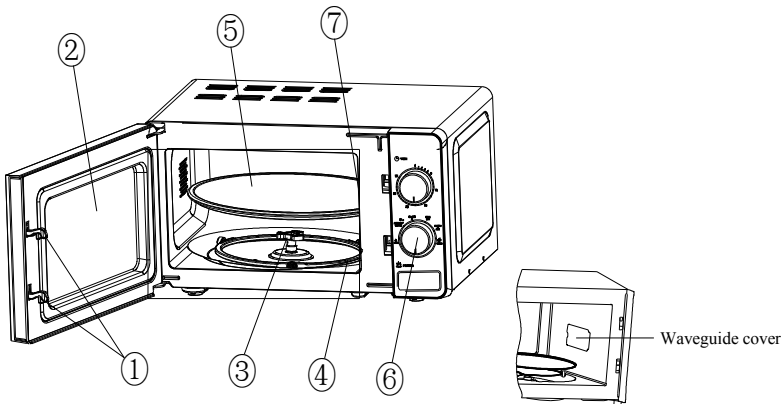
Wenn Geruch im Ofen entsteht, stellen Sie bitte eine Tasse Zitronenscheiben hinein und drehen Sie 1 Minute lang auf volle Leistung (beachten Sie, dass das Wasser / Glas sehr heiß wird)

Plattenteller / Rotationsring / Drehachse:

Mit weichem Seifenwasser waschen

Mit klarem Wasser spülen und sorgfältig trocknen lassen

ANLEITUNG ZUM PRODUKT



English	Deutsch
Waveguide cover	Wellenleiterabdeckung

1) Türschloss

Die Türe des Mikrowellenofens muss ordnungsgemäß geschlossen sein, damit der Ofen betrieben werden kann

2) Sichtfenster

Ermöglicht dem Benutzer den Kochzustand anzusehen

3) Drehachse

Der Glasplattenteller sitzt auf der Achse; der darunterliegende Motor treibt die Drehung des Plattentellers an

4) Rotationsring

Der Glasplattenteller sitzt auf seinen Laufrädern; er stützt den Plattenteller und hilft dabei, ihn beim Drehen auszubalancieren

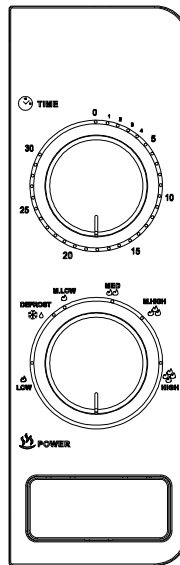
5) Plattenteller

Das Essen befindet sich auf dem Plattenteller

6) Bedienfeld – Zeit und Mikrowellenleistung einstellen

7) Wellenleiterabdeckung – NIEMALS entfernen

BEDIENUNG DES BEDIENFELDS



1) Timer

- Die max. Kochzeit kann auf 30 Minuten eingestellt werden.
- Jede Einstellung beträgt 1 Minute
- Eine Glocke läutet, wenn der Timer abgelaufen ist und auf die Nullstellung zurückgeht.

2) Funktion / Power-Knopf

Es gibt 5 Mikrowellen Leistungsebenen:

Hoch	100% Leistung	(Schnelles Kochen)
m.Hoch	85% Leistung	(Normales Kochen)
Mittel	66% Leistung	(Langsames Kochen)
m.Niedrig	40% Leistung	(Getränke oder Suppen)
Abtauung	37% Leistung	(Auftauen)
Niedrig	17% Leistung	(Warmhalten)

BEDIENUNG

- 1) Kabel anschließen
 - Bevor Sie das Kabel anschließen, stellen Sie sicher, dass der Timer auf die Position „0“ gesetzt ist
 - Blockieren Sie nicht die Belüftung
- 2) Platzieren Sie die Speisen auf den Glasplattenteller und schließen Sie die Türe; die Speisen müssen in einem Behältnis sein.
- 3) Wählen Sie die gewünschte Leistungsebene aus
- 4) Timer einstellen
 Wenn die gewünschte Zeit weniger als 10 Minuten beträgt, drehen Sie den Timerknopf auf eine Position von mehr als 10 Minuten und drehen ihn dann auf die gewünschte Zeiteinstellung zurück
- 5) Sobald die gewünschte Zeit eingestellt ist, beginnt der Kochvorgang. Wenn es zwischendurch erforderlich ist zu pausieren, öffnen Sie einfach jederzeit die Türe, und schließen Sie diese wieder, um den betrieb wieder aufzunehmen
- 6) Wenn die Zeitschaltuhr ausschaltet, endet der Kochvorgang, der Mikrowellenofen gibt einen Klingelton ab, die Innenleuchte schaltet ebenfalls automatisch aus

- Wenn die Speise entnommen wird, bevor der Timer ausschaltet, achten Sie darauf, den Timer auf die Position „0“ einzustellen, dies verhindert, dass der Mikrowellenofen ohne Last arbeitet
- Es wird empfohlen, beim Herausnehmen von Speisen aus dem Ofen, Handschuhe zu tragen.

Warnung: Verwenden Sie kein Metall im Mikrowellenofen.

Wenn der Mikrowellenofen nicht ordnungsgemäß funktioniert, kontaktieren Sie bitte das nächste Servicezentrum oder dem Geschäft, in dem Sie das Gerät gekauft haben. Versuchen Sie niemals, den Ofen selbst zu reparieren.

DENVER®

www.denver-electronics.com



Elektrische und elektronische Geräte sowie Batterien enthalten Materialien, Komponenten und Substanzen, welche für Sie und Ihre Umwelt schädlich sein können, sofern die Abfallmaterialien (entsorgte elektrische und elektronische Altgeräte sowie Batterien) nicht korrekt gehandhabt werden.

Elektrische und elektronische Geräte sowie Batterien sind mit der durchgestrichenen Mülltonne, wie unten abgebildet, kenntlich gemacht. Dieses Symbol bedeutet, dass elektrische und elektronische Altgeräte sowie Batterien nicht mit dem Hausmüll entsorgt werden dürfen, sie müssen separat entsorgt werden.

Als Endverbraucher ist es notwendig, dass Sie Ihre erschöpften Batterien bei den entsprechenden Sammelstellen abgeben. Auf diese Weise stellen Sie sicher, dass die Batterien entsprechend der Gesetzgebung recycelt werden und keine Umweltschäden anrichten.

Städte und Gemeinden haben Sammelstellen eingerichtet, an denen elektrische und elektronische Altgeräte sowie Batterien kostenfrei zum Recycling abgegeben werden können, alternativ erfolgt auch Abholung.

Weitere Informationen erhalten Sie bei der Umweltbehörde Ihrer Gemeinde.

Importeur:

DENVER ELECTRONICS A/S

Omega 5A, Soeften

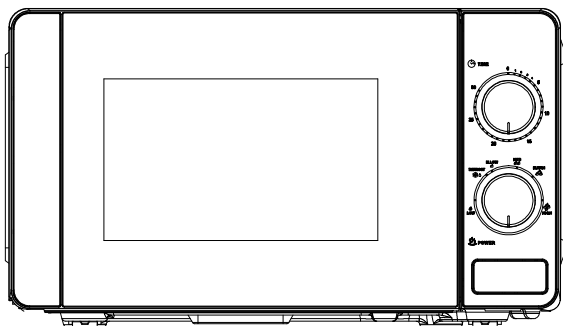
DK-8382 Hinnerup

www.facebook.com/denverelectronics

DENVER®

FOUR A MICROONDE

Guide de démarrage rapide



OM-2020

www.denver-electronics.com

**INSTRUCTIONS DE SÉCURITÉ IMPORTANTES
LIRE SOIGNEUSEMENT ET GARDER POUR S'Y REFERER
PLUS TARD**

Français

A usage uniquement domestique

Pour assurer une ventilation suffisante, la distance de l'arrière du microonde par rapport au mur doit être d'au moins 10 cm, le côté doit être à au moins 5 cm du mur, la distance au-dessus d'au moins 20 cm, et la distance par rapport au sol de 85 cm minimum.

L'appareil doit être placé pour que la prise soit accessible, et il faut s'assurer d'une bonne mise à la terre en cas de fuite, une prise de terre en boucle peut être effectuée pour éviter une électrocution.

Le four à microonde doit fonctionner avec la porte fermée.

Le four à microonde ne pas pas être placé dans un endroit clos. Le four à microonde est prévu pour être utilisé sur ses propres pieds.

La première utilisation peut émettre une odeur. Cela est tout à fait normal et disparaîtra après quelques utilisations du four à microonde.

NETTOYAGE

SOINS POUR LE FOUR A MICROONDE

ATTENTION

Le four doit être nettoyé régulièrement, et toute trace d'aliment retirée. Le four chauffe pendant son utilisation.

AVERTISSEMENT

1. Retirer la fiche de la prise électrique avant le nettoyage. Ne pas immerger l'appareil dans l'eau ou autres fluides pour nettoyer l'appareil.

Essuyer l'intérieur du four avec un chiffon doux mouillé.

Si une odeur se dégage du four, mettre une tasse d'eau avec des rondelles de citron et mettre la puissance au maximum

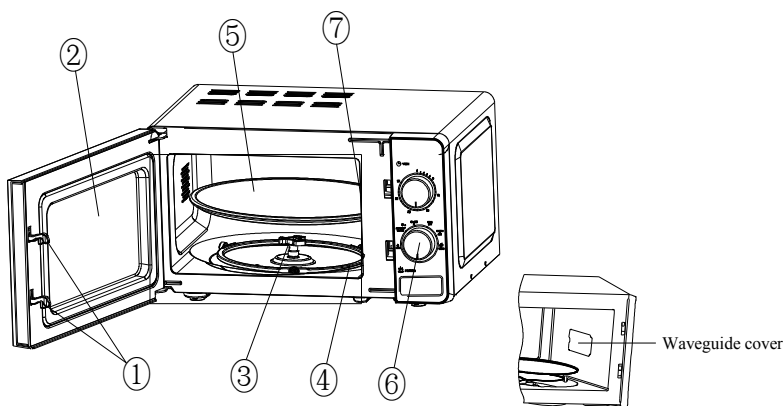
pendant 1 minute (faire attention car la tasse et l'eau seront chaudes).

Table tournante / Anneau de rotation / Axe de rotation :

Laver avec de l'eau et du savon doux

Rincer avec de l'eau claire et bien laisser sécher

INSTRUCTIONS CONCERNANT LE PRODUIT



English	Français
Waveguide cover	Couvercle de direction des ondes

1) Verrou de porte

La porte du four à microonde doit être correctement fermée pour qu'il fonctionne.

2) Fenêtre de vision

Permet à l'utilisateur de voir le degré de cuisson

3) Axe de rotation

La table tournante en verre est posée sur l'axe ; le moteur dessous entraine la table à tourner.

4) Anneau de rotation

La table tournante en verre est posée sur des roulettes ; elles

supportent la table et maintiennent l'équilibre lors de la rotation.

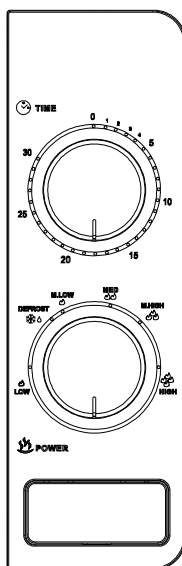
5) Table tournante

Les aliments sont posés sur la table tournante.

6) Panneau de commande - ajuster la durée et la puissance du microonde.

7) Couvercle de direction des ondes - Ne JAMAIS le retirer

FONCTIONNEMENT DU PANNEAU DE COMMANDE



1) Minuteur

- La durée maximum de cuisson est de 30 minutes.
- Chaque incrément est de 1 minute
- Un tintement retentit quand la durée est atteinte et la minuterie revient à zéro.

2) Bouton de Fonction / Puissance

5 niveaux de puissance de microonde sont disponibles :

Haute	100% de puissance	(Cuisson rapide)
m.Haute	85% de puissance	(Cuisson normale)
Moyen	66% de puissance	(Cuisson lente)
m.Faible	40% de puissance	(Boissons ou soupes)
Décongeler	37% de puissance	(Décongélation)
Faible	17% de puissance	(Garder au chaud)

UTILISATION

- 1) Brancher le fil électrique
 - Avant de brancher le fil, s'assurer que la minuterie est à « 0 ».
 - Ne pas boucher la ventilation
- 2) Placer les aliments sur la table tournante et fermer la porte ; les aliments doivent être dans une contenant.
- 3) Sélectionner la puissance désirée.
- 4) Régler la minuterie
Si la durée désirée est de moins de 10 minutes, tourner le bouton sur 10 minutes puis revenir en arrière jusqu'à la durée voulue.
- 5) Une fois la durée réglée, la cuisson commence. Si une pause intermédiaire est nécessaire, ouvrir simplement la porte et la refermer pour reprendre les opérations.
- 6) Quand le délai est passé et que la cuisson se termine, le four à microonde émet un tintement, la lampe à l'intérieur s'éteint aussi automatiquement.
 - Si les aliments sont retirés avant la fin de la durée, s'assurer de remettre la minuterie sur « 0 », cela évite de faire fonctionner le microonde à vide.

- Il est recommandé de porter des gants pour retirer les aliments du four.

Attention : Ne jamais mettre de métal dans le four à microonde.

Si le four à microonde ne fonctionne pas correctement, veuillez contacter le centre de service le plus proche ou le magasin dans lequel vous l'avez acheté. N'essayez jamais de réparer le four vous-même.

DENVER®

www.denver-electronics.com



Les appareils électriques et électroniques et les batteries contiennent des matériaux, composants et substances qui peuvent nuire à votre santé et à l'environnement si ces déchets ne sont pas traités de façon appropriée.

Les appareils électriques et électroniques et les batteries sont marqués par le symbole de poubelle avec roulettes et une croix dessus, voir ci-dessous. Ce symbole indique que les appareils électriques et électroniques et les batteries doivent être collectés et jetés séparément des ordures ménagères.

En tant qu'utilisateur final, il est important que vous jetiez les batteries usagées dans des centres de collecte appropriés. En mettant au rebut les batteries pour être recyclées conformément à la réglementation vous contribuez à préserver l'environnement.

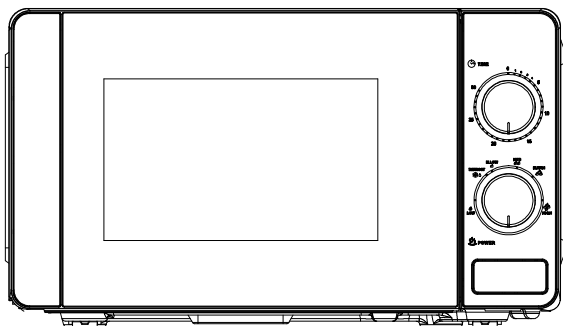
Dans toutes les villes existent des points de collecte où les appareils électriques et électroniques et les batteries peuvent y être déposés sans frais pour le recyclage. Vous pouvez obtenir des informations supplémentaires auprès des autorités locales de la ville.

Importateur :
DENVER ELECTRONICS A/S
Omega 5A, Soeften
DK-8382 Hinnerup
www.facebook.com/denverelectronics

DENVER®

MIKROAALTOUUNI

Pikaopas



OM-2020

www.denver-electronics.com

**TÄRKEITÄ TURVALLISUUSOHJEITA
LUE HUOLELLISESTI JA SÄILYTÄ MYÖHEMPÄÄ TARVETTA
VARTEN**

Suomi

Vain kotitalouskäyttöön

Jotta tuuletus olisi riittävä, mikroaaltouunin etäisyys seinästä tulee olla vähintään 10 cm, ja etäisyyden sivusta seinään tulee olla vähintään 5 cm. Yläpuolella tulee olla tilaa vähintään 20 cm, ja mikroaaltouunin tulee olla vähintään 85 cm:n korkeudella.

Laite tulee sijoittaa siten, että pistoke on käytettävissä, maadoitus on varmistettu vuotojen varalta ja maadoitussilmukka voidaan muodostaa sähköiskun välttämiseksi.

Mikroaaltouunia tulee käyttää ovi suljettuna.

Mikroaaltouunia ei saa asettaa kaappiin. Mikroaaltouuni on tarkoitettu vapaasti seisovaksi.

Ensimmäisellä kerralla mikroaaltouuni saattaa päästää hieman hajuja. Tämän täysin normaalia ja haju poistuu muutaman käyttökerran jälkeen.

PUHDISTUS

MIKROAALTOUUNIN KUNNOSSAPITO



HUOMIO

Uuni tulee puhdistaa säännöllisesti ja kaikki ruokajäämät on poistettava. Uuni kuumenee käytettäessä.



VAROITUS

1. Irrota virtajohto seinäpistokkeesta ennen puhdistamista. Älä upota laitetta veteen tai muihin nesteisiin puhdistuksen aikana.

Pyyhi uuni sisältä ja ulkoa kostealla pehmeällä liinalla

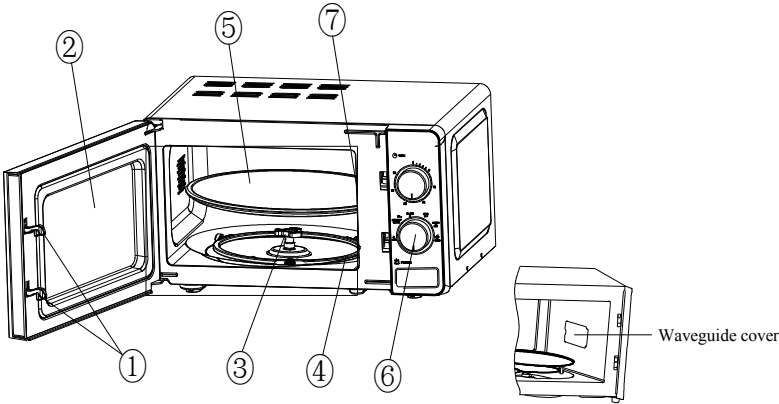
Jos uunin sisäosassa on hajuja, aseta uuniin kupillinen vettä sitruunan palojen kanssa ja käytä uunia täydellä teholla 1 minuutti (ole varovainen, koska vesi ja lasi kuumenevat)

Mikroaaltouunin lautanen/pyörintärengas/pyörintäakseli:

Pese miedolla saippuvedellä

Huuhtele puhtaalla vedellä ja anna kuivua täydellisesti

TUOTEOHJEET



English	Suomi
Waveguide cover	Suoja

1) Oven lukko

Mikroaaltouunin ovi tulee sulkea oikein, jotta se toimii

2) Tarkasteluikkuna

Mahdollistaa valmistuksen tilan tarkkailemisen

3) Pyörivä akseli

Akselin päällä on lasilautanen. Alla oleva moottori pyörittää lasilautasta

4) Pyörivä rengas

Lasilautanen on asetettu sen renkaiden päälle; se tukee lautasta ja auttaa tasapainottamaan pyörimisliikettä

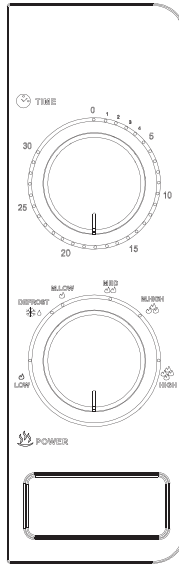
5) Lautanen

Ruoka asetetaan lautaselle

6) Ohjauspaneeli – säädä aikaa ja mikroaaltojen tehoa

7) Waveguide-suojus – ÄLÄ koskaan poista tätä

OHJAUSPANEELIN KÄYTTÖ



1) Ajastin

- Pisin asetettava valmistusaika on 30 minuuttia.
- Aika voidaan asettaa 1 minuutin välein
- Kuulet äänikellon äänen, kun ajastin palaa nolla-asentoon.

2) Toiminto/virtanuppi

Mikroaaltojen teho voidaan asettaa 5 tasolle:

Korkea	Lähtöteho 100 %	(pikavalmistus)
m.Korkea	Lähtöteho 85%	(normaali valmistus)
keskikokoinen	Lähtöteho 66%	(hidas valmistus)
m.Matala	Lähtöteho 40%	(Juomat tai keitto)
sulaa	Lähtöteho 37%	(sulatus)
Matala	Lähtöteho 17%	(pidä lämpimänä)

KÄYTTÖ

- 1) Liitä johto
 - Varmista ennen johdon liittämistä, että ajastin on asetettu 0-asentoon
 - Älä tuki tuuletusta
- 2) Aseta ruoka lasilautaselle ja sulje ovi. Ruoka tulee asettaa astiaan.
- 3) Valitse haluamasi tehotaso
- 4) Aseta ajastin

Jos haluttu aika on lyhyempi kuin 10 minuuttia, käännä ajastimen nuppia 10 minuutin asentoon ja käännä se sitten takaisin haluttuun aika-asetukseen
- 5) Kun haluttu aika on asetettu, valmistus alkaa. Jos valmistuksen aikana vaaditaan taukoja, avaa ovi milloin tahansa ja sulje se, kun haluat jatkaa valmistusta
- 6) Kun aika on kulunut ja valmistus loppuu, mikroaaltouuni toistaa äänimerkin ja sisällä oleva lamppu kytkeytyy myös pois päältä automaattisesti.
 - Jos ruoka poistetaan ennen valmistumisen lopettamista, muista asettaa ajastin takaisin 0-asentoon, jotta vältät mikroaaltouunin käyttämisen tyhjänä
 - Suosittelemme käsineiden käyttämistä, kun poistat valmistetun ruoan uunista.

Varoitus: Älä koskaan käytä metallia mikroaaltouunin sisällä.

Jos mikroaaltouuni ei toimi oikein, ota yhteyttä lähimpään huoltokeskukseen tai myymälään, josta ostit sen. Älä koskaan yritä korjata uunia itse.

KAIKKI OIKEUDET PIDÄTETÄÄN, TEKIJÄNOIKEUS/DENVER ELECTRONICS A/S

DENVER®

www.denver-electronics.com



Sähkö- ja elektroniikkalaitteet sekä niissä käytettävät akut sisältävät materiaaleja, komponentteja ja aineita, jotka voivat olla vahingollisia terveydelle ja ympäristölle, jos jättemateriaalia (pois heitettävät sähkö- ja elektroniikkalaitteet sekä akut) ei käsitellä asianmukaisesti.

Sähkö- ja elektroniikkalaitteet sekä akut on merkitty alla olevalla rastitetun jätteen symbolilla. Symboli kertoo, ettei sähkö- ja elektroniikkalaitteita tai akkuja saa hävittää kotitalousjätteen mukana vaan ne on hävitettävä erikseen.

On tärkeää, että loppukäyttäjänä viet käytetyt akut oikeaan keräyspaikkaan. Tällä tavoin voit varmistaa, että akut kierrätetään lain mukaan eivätkä ne vahingoita ympäristöä.

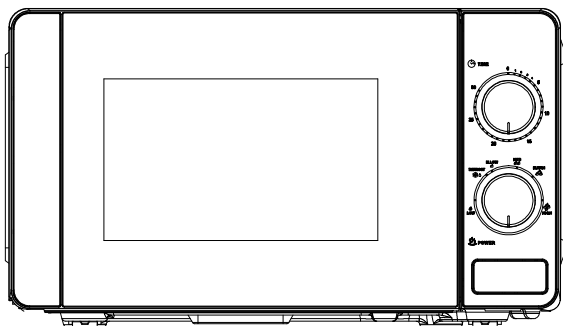
Kaikkiin kaupunkeihin on perustettu keräyspisteitä. Sähkö- ja elektroniikkalaitteet sekä akut voi viedä itse ilmaiseksi pisteisiin tai ne voidaan kerätä suoraan kotoa. Lisätietoja saat kuntasi tekniseltä osastolta.

Maahantuaja:
DENVER ELECTRONICS A/S
Omega 5A, Soeften
DK-8382 Hinnerup
www.facebook.com/denverelectronics

DENVER®

MICROWAVE OVEN

Snelstartgids



OM-2020

www.denver-electronics.com

**BELANGRIJKE VEILIGHEIDSINSTRUCTIES
ZORGVULDIG LEZEN EN BEWAREN ALS NASLAGWERK**

Nederlands

Uitsluitend voor huishoudelijk gebruik

Om voldoende ventilatie te garanderen, moet de afstand tussen de achterzijde van de magnetron en de muur minstens 10 cm te zijn, de afstand tussen de zijkanten en de muur minstens 5 cm, de vrije afstand boven de bovenkant minstens 20 cm en de afstand van de magnetron tot de vloer minstens 85 cm.

Het apparaat moet zodanig worden geplaatst dat de stekker toegankelijk is. U moet bovendien voor een goede aarding zorgen zodat er in geval van lekkage een massalus kan worden gevormd om elektrische schokken te voorkomen.

De magnetronoven moet worden bediend met gesloten deur.

De magnetronoven mag niet in een kabinet worden geplaatst. De magnetronoven is bestemd voor vrijstaand gebruik.

U kunt tijdens het eerste gebruik mogelijk een vreemd luchtje opmerken. Dit is perfect normaal en zal verdwijnen nadat u de magnetronoven slechts enkele keren hebt gebruikt.

REINIGING

DE MAGNETRONOVEN ONDERHOUDEN

OPGELET

De oven dient regelmatig te worden gereinigd en enigerlei voedselresten moeten worden verwijderd. De oven zal heet worden tijdens gebruik.

WAARSCHUWING

1. Haal de stekker uit het stopcontact voorafgaand aan reiniging. Dompel het apparaat nooit in water of andere vloeistoffen om te reinigen.

Veeg de binnen- en buitenzijden van de oven af met een ietwat vochtig, zacht doekje

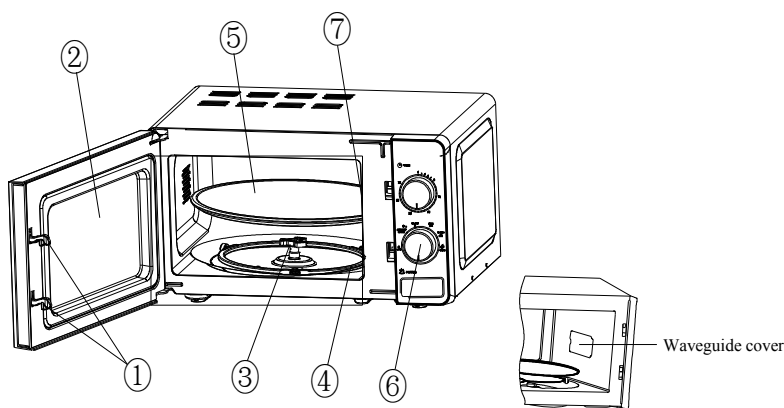
Als er een naar luchtje uit de binnenzijde van de oven komt, plaats a.u.b. een kopje water met citroenschijfjes in de oven en laat deze 1 minuut op vol vermogen werken (houd er rekening mee dat het water/glas heet zal worden)

Draaiplateau/draairing/draaiende as:

Wassen met een mild sopje

Afspoelen met schoon water en goed laten drogen

PRODUCTINSTRUCTIES



English	Nederlands
Waveguide cover	Cover van golfgeleider

1) Deurvergrendeling

De magnetronoven moet goed worden gesloten om te kunnen functioneren

2) Kijkvenster

U kunt hierdoor de kookstatus controleren

3) Draaiende as

Het glazen draaiplateau rust op de as; de motor daaronder laat het plateau draaien

4) Draairing

Het glazen draaiplateau rust op zijn wieltjes; deze wieltjes ondersteunen het draaiplateau en helpen met de balans tijdens het draaien

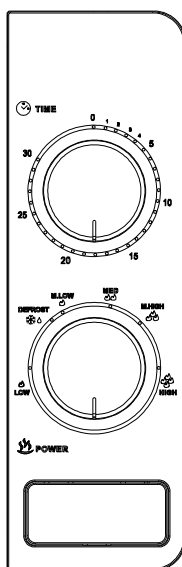
5) Draaiplateau

Het voedsel rust op het draaiplateau

6) Bedieningspaneel – tijd en magnetronvermogen instellen

7) Cover van golfgeleider – dit NOOIT verwijderen

HET BEDIENINGSPANEEL GEBRUIKEN



1) Timer

- De maximale kookduur die u kunt instellen is 30 minuten.
- Elke instellingsstap is 1 minuut.
- Er zal een belletje klinken wanneer de timer is verlopen en terugkeert naar de nulstand.

2) Functie-/vermogenknop

Er zijn 5 niveaus beschikbaar voor het magnetronvermogen:

Hoog	100% vermogenuitvoer	(Snel koken)
m.Hoog	85% vermogenuitvoer	(Normaal koken)
Medium	66% vermogenuitvoer	(Traag koken)
m.Laag	40% vermogenuitvoer	(Drankjes of soep)
Ontdooien	37% vermogenuitvoer	(Ontdooien)
Laag	17% vermogenuitvoer	(Warm houden)

BEDIENING

- 1) Sluit het snoer aan
 - Voordat u het snoer aansluit, controleer of de timer is ingesteld op stand "0"
 - Blokkeer nooit de ventilatie
- 2) Plaats het voedsel op het glazen draaiplateau en sluit de deur; het voedsel moet in een container zitten.
- 3) Selecteer het gewenste vermogenniveau
- 4) Stel de timer in

Als de gewenste tijd korter is dan 10 minuten, draai de timerknop verder dan de stand "10 minuten" en draai de knop vervolgens terug naar de gewenste tijdinstelling
- 5) Het koken begint nadat de gewenste tijd eenmaal is ingesteld. Als het kookproces tussentijds moet worden gepauzeerd, dan kunt u de deur op elk gewenst moment openen en weer sluiten om het koken te hervatten
- 6) Wanneer de timer is verlopen en het kookproces eindigt, zal de magnetronoven een belletje laten horen terwijl de interne lamp automatisch wordt uitgeschakeld
 - Als u het voedsel verwijdert voordat de tijd is verlopen, stel de timer a.u.b. terug in op de stand "0" om te voorkomen dat de

magnetronoven leeg begint te werken

- Wij raden u aan ovenwanten te dragen wanneer u het gekookte voedsel uit de oven haalt.

Waarschuwing: Gebruik geen metaal binnenin de magnetronoven.

Als de magnetronoven niet goed werkt, neem dan a.u.b. contact op met het dichtstbijzijnde servicecentrum of de winkel waar u het product hebt aangeschaft. Probeer de oven nooit zelf te repareren.

DENVER®

www.denver-electronics.com



Elektrische en elektronische apparatuur en de inbegrepen batterijen bevatten materialen, componenten en stoffen die schadelijk kunnen zijn voor uw gezondheid en het milieu, indien de afvalproducten (afgedankte elektrische en elektronische apparatuur en batterijen) niet correct worden verwerkt.

Elektrische en elektronische apparatuur en batterijen zijn gemarkeerd met een doorgekruist klike-symbool, zoals hieronder afgebeeld. Dit symbool is ervoor bestemd om de gebruiker er op te wijzen dat elektrische en elektronische apparatuur en batterijen niet bij het overige huisvuil mogen worden weggegooid, maar gescheiden moeten worden ingezameld.

Als eindgebruiker is het belangrijk dat u uw verbruikte batterijen inlevert bij een geschikte en speciaal daarvoor bestemde faciliteit. Op deze manier is het gegarandeerd dat de batterijen worden hergebruikt in overeenstemming met de wetgeving en het milieu niet aantasten.

Alle steden hebben specifieke inzamelpunten, waar elektrische of elektronische apparatuur en batterijen kosteloos ingeleverd kunnen

worden bij recyclestations of andere inzamellocaties. In bepaalde gevallen kan het afval ook aan huis worden opgehaald. Vraag om meer informatie bij uw plaatselijke autoriteiten.

Importeur:

DENVER ELECTRONICS A/S

Omega 5A, Soeften

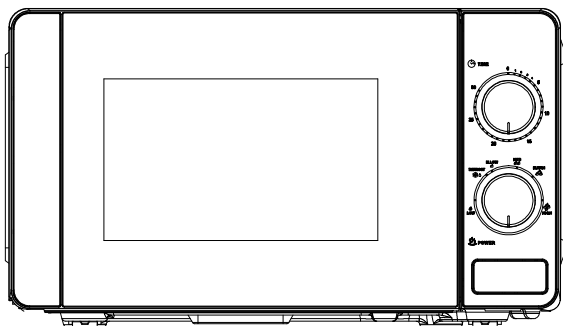
DK-8382 Hinnerup

www.facebook.com/denverelectronics

DENVER®

MIKROBØLGEOVN

Kvikstartguide



OM-2020

www.denver-electronics.com

**VIGTIGE SIKKERHEDSANVISNINGER
LÆS OMHYGGELIGT, OG GEM TIL SENERE BRUG**

Dansk

Kun til husholdningsbrug

For at sikre tilstrækkelig luftcirkulation skal afstanden fra bagsiden af mikrobølgeovnen til væggen være mindst 10 cm, og fra siden til væggen skal der være mindst 5 cm. Over ovnen skal der være mindst 20 cm frirum. Afstanden fra mikrobølgeovnen til jorden skal være mindst 85 cm.

Apparatet skal placeres således, at der er let adgang til stikproppen, og der skal sørges for korrekt jordledning, således at der ved evt. lækage kan dannes jordsløjfe, og elektrisk stød dermed undgås.

Mikrobølgeovnens låge skal være lukket under betjeningen.

Mikrobølgeovnen må ikke placeres i et skab. Mikrobølgeovnen er beregnet til at være fritstående.

Ved første brug kan der forekomme en vis lugt. Dette er fuldstændig normalt og forsvinder efter få ganges brug af mikrobølgeovnen.

RENGØRING

VEDLIGEHOLDELSE AF DIN MIKROBØLGEOVN

FORSIGTIG

Ovnen bør rengøres regelmæssigt, og alle madrester fjernes. Ovnen bliver varm under brugen.

ADVARSEL

1. Tag stikket ud af stikkontakten inden rengøring. Nedsænk ikke apparatet i vand eller anden væske under rengøringen.

Tør ovnens inder- og ydersider af med en blød, fugtet klud.

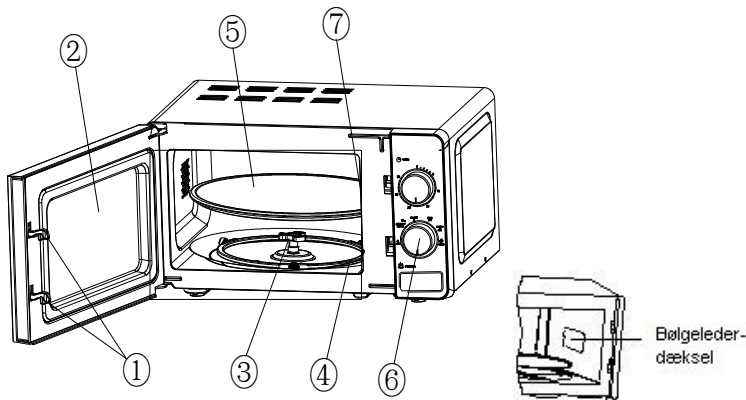
Hvis der hænger lugt ved indersiden af ovnen, skal du stille en kop vand med citronskiver i i ovnen og give den 1 minut ved fuld effekt (pas på, vandet/glasset bliver varmt).

Drejetallerken/ Drejering/ Drejeaksel:

Vaskes i mildt sæbevand.

Skylles med rent vand og tørres grundigt.

OVERSIGT OVER PRODUKTET



1) Dørlås

Mikrobølgeovnens låge skal lukkes korrekt, før ovnen kan fungere.

2) Ovnvindue

Gør det muligt at holde øje med madvarerne.

3) Drejeaksel

Glastallerkenen placeres ovenpå akslen. Motoren nedeunder driver drejetallerkenen rundt.

4) Drejering

Glastallerkenen kører på hjul. Hjulene understøtter tallerkenen og hjælper den med at holde balancen, mens den roterer.

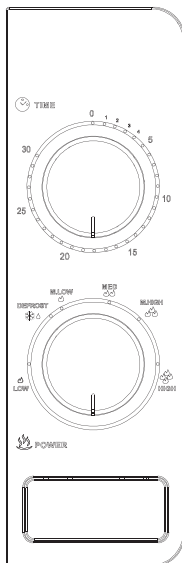
5) Drejetallerken

Madvarerne placeres på drejetallerkenen.

6) Kontrolpanel – til justering af tid og mikrobølgeeffekt.

7) Bølgeleder-dæksel – dette må ALDRIG fjernes.

BETJENING MED KONTROLPANELET



1) Timer

- Den maksimale tilberedningstid, der kan indstilles, er 30 minutter.
- Der indstilles i intervaller à 1 minut.
- En klokke ringer, når timeren udløber og vender tilbage til nul.

2) Funktion/Strømknop

Du kan vælge mellem 5 mikrobølge effekttrin:

Høj	100 % effekt	(Lyntilberedning)
m.Høj	85 % effekt	(Normal tilberedning)
Medium	66 % effekt	(Langsom tilberedning)
m.Lav	40% effekt	(Drikke eller supper)
Optøning	37 % effekt	(Optøning)
Lav	17 % effekt	(Holde varm)

BETJENING

- 1) Tilslut netledningen.
 - Inden du tilslutter netledningen, skal du sikre dig, at timeren står på "0".
 - Blokér ikke ventilationsåbningerne.
- 2) Placér madvarerne på glasdrejetallerkenen, og luk lågen. Maden skal være i en beholder.
- 3) Vælg det ønskede effektrin.
- 4) Indstil timeren.

Hvis det ønskede tidsrum er under 10 minutter, skal du dreje timerknappen forbi 10-minuttersmærket og dernæst dreje den tilbage til den ønskede indstilling.
- 5) Når det ønskede tidsrum er valgt, begynder tilberedningen. Hvis der er behov for en pause, kan du når som helst åbne ovenlågen og lukke igen, når du vil fortsætte tilberedningen.
- 6) Når tiden er gået, og tilberedningen er færdig, afgiver mikrobølgeovnen en ringetone, og lampen i ovnen slukker automatisk.
 - Hvis madvarerne fjernes, før tiden er gået, skal du sørge for at stille timeren tilbage på "0". Derved undgår du, at mikrobølgeovnen kører tom.
 - Det anbefales at benytte handsker, når du tager den tilberedte mad ud af ovnen.

Advarsel. Brug aldrig metal inde i mikrobølgeovnen.

Hvis mikrobølgeovnen ikke fungerer korrekt, skal du kontakte dit nærmeste servicecenter eller den butik, hvor du købte ovnen. Forsøg aldrig selv at reparere den.

ALLE RETTIGHEDER RESERVERET, COPYRIGHT DENVER
ELECTRONICS A/S

DENVER®

www.denver-electronics.com



Elektrisk og elektronisk udstyr indeholder materialer, komponenter og stoffer, der kan være skadelige for menneskers sundhed og for miljøet, hvis affaldet (kasseret elektrisk og elektronisk udstyr) ikke håndteres korrekt.

Elektrisk og elektronisk udstyr er mærket med nedenstående overkrydsede skraldespand. Den symboliserer, at elektrisk og elektronisk udstyr ikke må bortskaffes sammen med usorteret husholdningsaffald, men skal indsamles særskilt.

Alle kommuner har etableret indsamlingsordninger, hvor kasseret elektrisk og elektronisk udstyr gratis kan afleveres af borgerne på genbrugsstationer og andre indsamlingssteder eller bliver afhentet direkte fra husholdningerne. Nærmere information kan fås hos kommunens tekniske forvaltning.

Importør:
DENVER ELECTRONICS A/S
Omega 5A, Soefte
DK-8382 Hinnerup
Danmark
[facebook.com/denverelectronics](https://www.facebook.com/denverelectronics)

