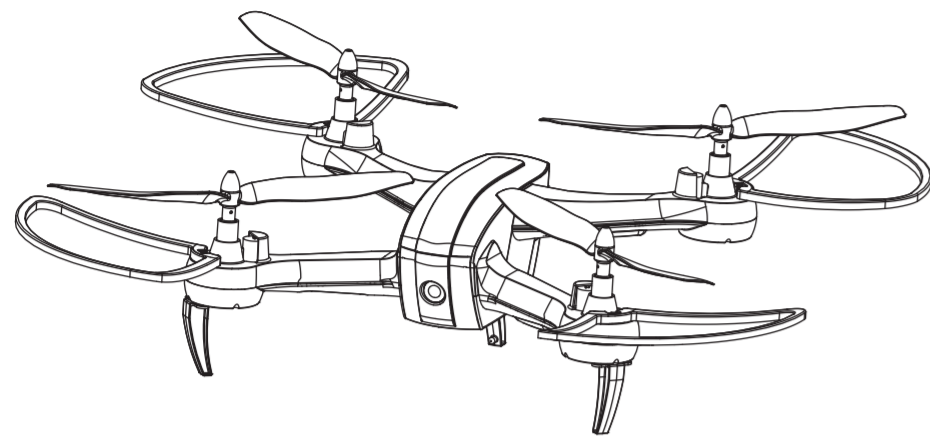


Denver DCW-360

WWW.DENVER-ELECTRONICS.COM
www.facebook.com/denverelectronics

Please read this instruction manual carefully before using the product



ENGLISH

Notice:

1 Instructions

Please read the user handbook carefully and then keep it in a safe place for future consultation and maintenance.

1.1 Important Notice

- (1) This product is not a toy, it's a piece of complicated equipment which integrated with professional knowledge by mechanic, electric, air mechanics, high-frequency transmitter and so on, so it should be installed correctly and adjusted to avoid any accidents. The owner must always operate in a safe manner, if improper operation that caused human injured or property damage, then we DENVER ELECTRONICS A/S accept no liability for any safety duties from operation. As we have no control over the way they maintained, used and operated.
- (2) This product is not suitable for users under 14 years of age.
- (3) The use of the drone may be prohibited in some areas like train stations, airports, aircrafts, inhabited areas etc. You should check with the authorities whether the use of the drone is permitted in some public or private areas. Always use the drone bearing in mind not to breach people's privacy. We exclude liability for any wrong use of the drone.

(4) We DENVER accept no liability for any safety duties or fines arising from operation, usage or mis-control after the sale of products. Warranty does not cover if drone crashes and get damaged.

1.2 Safety Precautions

Keep away from crowd when flying, since drone flight is a high-risk hobby. Misassembled or broken main frame or defective electronic equipment or unskilled operation may cause accidents of machine damaged or injured. Please pay special attention to safety operation.

(1) Keep away from people and obstacles

"The flying speed and status of the drone is uncertain, so it may cause potential danger." When choosing a flying site should stay clear of buildings, trees and power lines. AVOID flying in or near crowded areas. Meanwhile avoid flying in rain, storms, thunder and lightning to protect machinery and parts out of damage.

(2) Keep away from humid environments

Inside of drone is made up of precise electronic components. Stay away from humidity or water vapor to protect machinery and parts.

(3) Safety operation

Please fly your drone according to your physical status and flight skill. Fatigue, listlessness and mis-operation will increase possibilities of accidental hazard.

(4) Keep away from rotating blades

Keep your face and body as well as all spectators away from the rotating blades. The spinning blades of a model of this type can cause serious injury.

(5) We recommend flying the drone below 10 meters of height.

(6) Keep away from heat

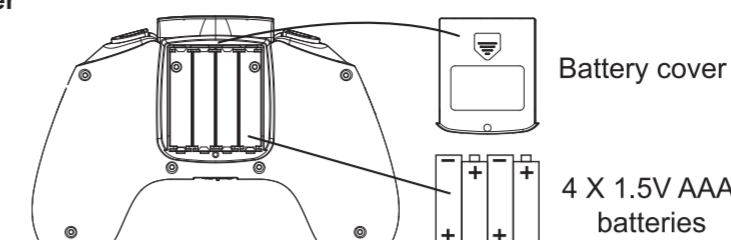
A drone is made up of metal, fiber, plastic, electronic components, etc. Keep it away from heat and sunshine to avoid distortion, and damage.

1.3 Check List Before First Flight

- (1) Flying field should be in an open space and we suggest at least 5M length *5M wide *3M height.
- (2) Make sure the receiver and transmitter is fully charged.
- (3) Please strictly obey the order of turn-on, turn-off before operation. When starting your flight, first turn on the transmitter, and connect power cable of drone last; When finishing your flight, please disconnect the power cable of your drone first, turn off transmitter last. An upset in the order of connection may cause your drone loose control to threaten yourself and others safely. Please follow a correct habit of turn-on and turn-off.
- (4) Make sure the connection is solid between battery or motor. The ongoing vibration may cause bad connection of power terminal and make the drone uncontrollable.

Battery Installation & Charging

Controller



1. To install batteries: Open the cover of battery case, insert 4 X 1.5V AAA batteries, according to indicated polarity (batteries not included).

Battery installation should be done under adult supervision only!

Do not mix old and new batteries.

Do not mix different types of batteries.

Charging

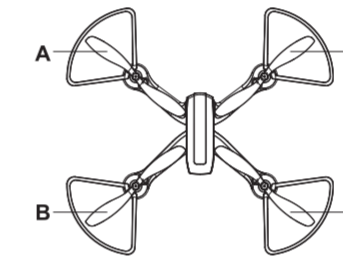
1. Connect one side of the USB connector with the Cartridge battery, and the other side into any USB port of computer.



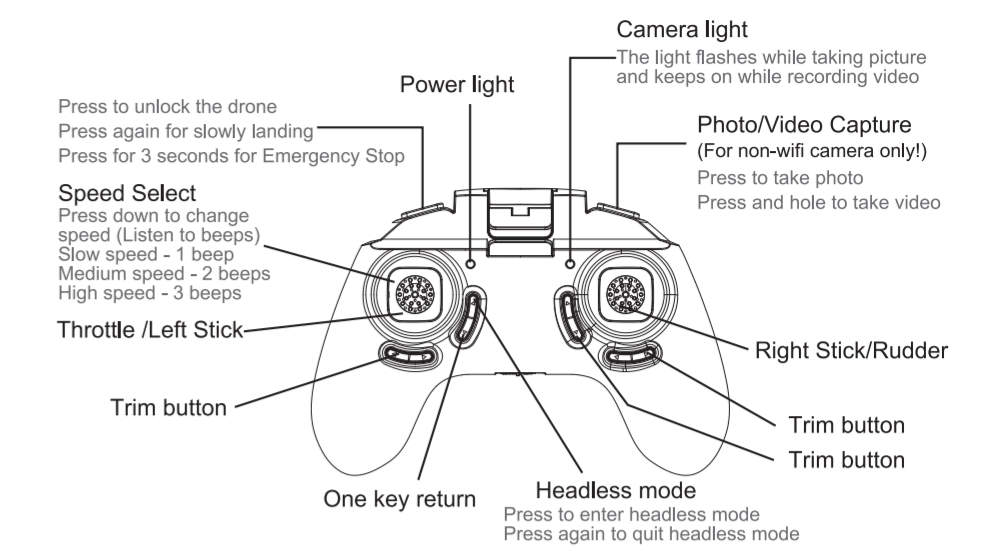
Drone

Replacing the damaged blades:

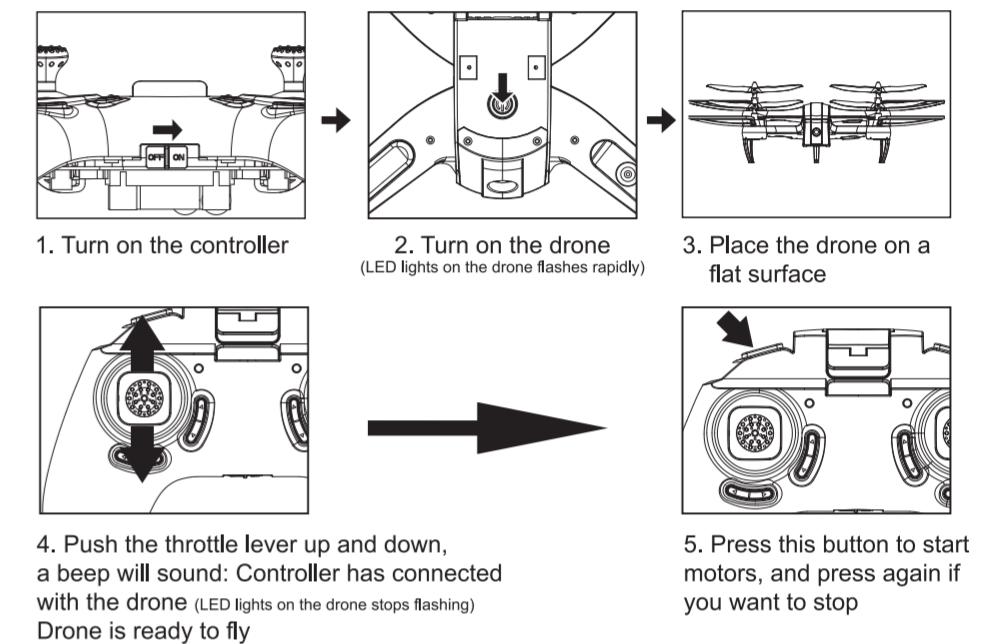
Your set will come with 4 spare rotors, two type A and two type B. You will see the "A" and "B" word on the canopy, then put the rotor on the motor accordingly



Remote Controller

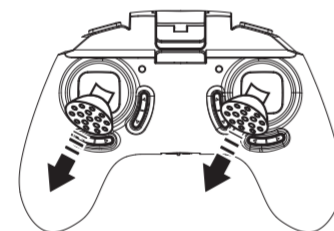


Operation steps



Auto trim function

Press the throttle and rudder down to 45 degree degree (as picture) for 3 second, the LED lights on the drone flashes quickly, then let go the throttle and rudder. The LED lights on the drone stops flashing and keeps on. Then auto trimming complete.

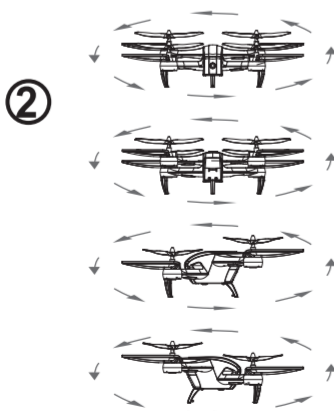
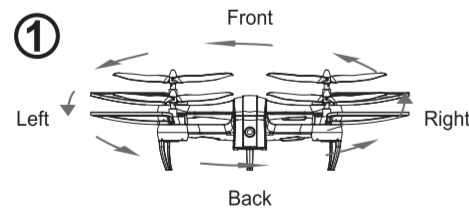


Headless Mode

Start / Quit Headless Mode

Press the button on controller (as picture) you will hear beep sounds, then you get into compass mode (headless mode). Press it again to quit.

At the moment when you start headless mode, the direction that controller is pointing to will be fixed as the directions of drone. No matter how you rotate the drone, the front direction won't change accordingly.

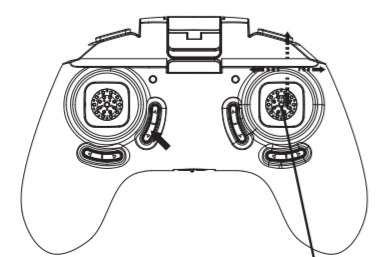


One Key Return

Press and hold the button (as picture), and you will activate One Key Return and the drone will now attempt to fly back towards its starting point.

If you want to deactivate this mode, then push the right joystick (Rudder) to any direction.

Note: The drone will not land automatically, you still need to control the height of the drone when using the one key return flying mode.



Control the rudder to quit this function (Any direction)

WiFi camera:

1. APP DOWNLOAD & INSTALLATION

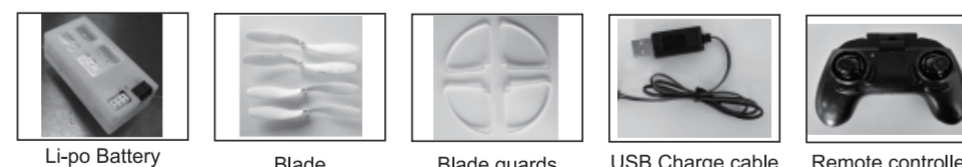
- 1.1 Search [Denver DCW-360] from iOS App Store or Android Google Play
- 1.2 Download and install it onto your smart phone or tablet

2. HOW TO CONNECT DRONE WITH APP

- 2.1 Power on the drone
- 2.2 Enter the Setting of your smart phone/tablet, and turn on WiFi
- 2.3 Find a WiFi hotspot [DCW-360 Drone...], click to connect it until "connected".
- 2.4 Start the App [Denver DCW-360], click the icon [PLAY] to enter the control interface. Meanwhile, real time video from the camera can be enjoyed.
- 2.5 Now users can control the drone with with the icons in the App. For detailed control guide, please click the icon [INSTRUCTION] to read carefully.
- 2.6 Photos and Video files will be stored onto smart phone/tablet automatically.



Main Accessories



Li-po Battery (Cartridge) Blade Blade guards USB Charge cable Remote controller

ALL RIGHTS RESERVED, COPYRIGHT DENVER ELECTRONICS A/S

DENVER
denver-electronics.com



Electric and electronic equipment and included batteries contains materials, components and substances that can be hazardous to your health and the environment, if the waste materials (discarded electric and electronic equipment and batteries) are not handled correctly.

Electric and electronic equipment and batteries are marked with the crossed out trash can symbol, as below. This symbol signifies that electric and electronic equipment and batteries should not be disposed of with other household waste, but should be disposed of separately.

As the end user it is important that you submit your used batteries to the appropriate and designated facility. In this manner you make sure that the batteries are recycled in accordance with legislature and will not harm the environment.

All cities have established collection points, where electric and electronic equipment and batteries can either be submitted free of charge at recycling stations and other collection sites, or be collected from the households. Additional information is available at the technical department of your city.

Hereby, Inter Sales A/S declares that the radio equipment type DENVER DCW-360 is in compliance with Directive 2014/53/EU. The full text of the EU declaration of conformity is available at the following internet address:

Please enter: www.denver-electronics.com and then click the search ICON on topline of website.

Write modelnumber: DCW-360

Now enter product page, and red directive is found under downloads/other downloads

Operating Frequency Range: 2440 MHz - 2471 MHz

Max Output Power: 29.6 W

Imported by:
DENVER ELECTRONICS A/S

Omega 5A, Soeften

DK-8382 Hinnerup

Denmark

www.facebook.com/denverelectronics