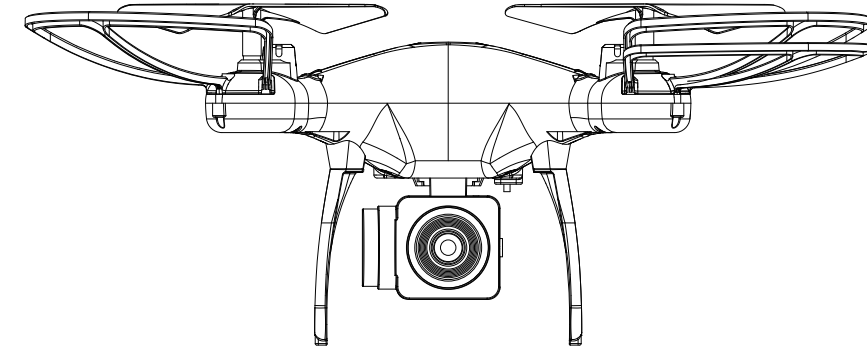


Denver DCH-340

WWW.DENVER-ELECTRONICS.COM
www.facebook.com/denverelectronics

Please read this instruction manual carefully before using the product



ENGLISH

Notice:

1 Instructions

Please read the user handbook carefully and then keep it in a safe place for future consultation and maintenance.

1.1 Important Notice

(1) This product is not a toy, it's a piece of complicated equipment which integrated with professional knowledge by mechanic, electric, air mechanics, high-frequency transmitter and so on, so it should be installed correctly and adjusted to avoid any accidents.

The owner must always operate in a safe manner, if improper operation that caused human injured or property damage, then we DENVER ELECTRONICS A/S accept no liability for any safety duties from operation. As we have no control over the way they maintained, used and operated.

(2) This product is not suitable for users under 14 years of age.

(3) The use of the drone may be prohibited in some areas like train stations, airports, aircrafts, inhabited areas etc. You should check with the authorities whether the use of the drone is permitted in some public or private areas. Always use the drone bearing in mind not to breach people's privacy. We exclude liability for any wrong use of the drone.

(4) We DENVER accept no liability for any safety duties or fines arising from operation, usage or miscontrol after the sale of products. Warranty does not cover if drone crashes and get damaged.

1.2 Safety Precautions

Keep away from crowd when flying, since drone flight is a high-risk hobby. Misassembled or broken main frame or defective electronic equipment or unskilled operation may cause accidents of machine damaged or injured. Please pay special attention to safety operation.

(1) Keep away from people and obstacles

"The flying speed and status of the drone is uncertain, so it may cause potential danger." When choosing a flying site should stay clear of buildings, trees and power lines. AVOID flying in or near crowded areas. Meanwhile avoid flying in rain, storms, thunder and lightning to protect machinery and parts out of damage.

(2) Keep away from humid environments

Inside of drone is made up of precise electronic components. Stay away from humidity or water vapor to protect machinery and parts.

(3) Safety operation

Please fly your drone according to your physical status and flight skill. Fatigue, listlessness and mis-operation will increase possibilities of accidental hazard.

(4) Keep away from rotating blades

Keep your face and body as well as all spectators away from the rotating blades. The spinning blades of a model of this type can cause serious injury.

(5) We recommend flying the drone below 10 meters of height.

(6) Keep away from heat

A drone is made up of metal, fiber, plastic, electronic components, etc. Keep it away from heat and sunshine to avoid distortion, and damage.

1.3 Check List Before First Flight

(1) Flying field should be in an open space and we suggest at least 5M length *5M wide *3M height.

(2) Make sure the receiver and transmitter is fully charged.

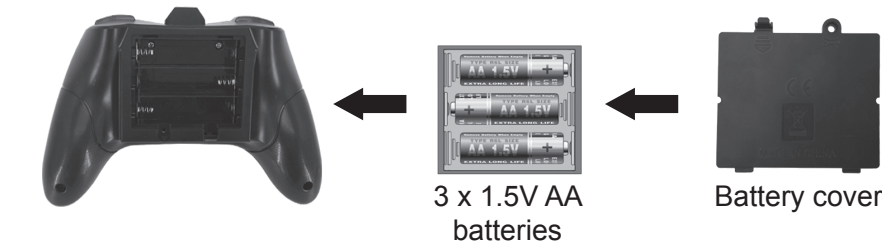
(3) Please strictly obey the order of turn-on, turn-off before operation. When starting your flight, first turn on the transmitter, and connect the battery with drone last; When finishing your flight, please disconnect the battery from your drone first, turn off transmitter last.

An upset in the order of connection may cause your drone loose control to threaten yourself and others safely. Please follow a correct habit of turn-on and turn-off.

(4) Make sure the connection is solid between battery or motor. The ongoing vibration may cause bad connection of power terminal and make the drone uncontrollable.

Battery Installation & Charging

Controller

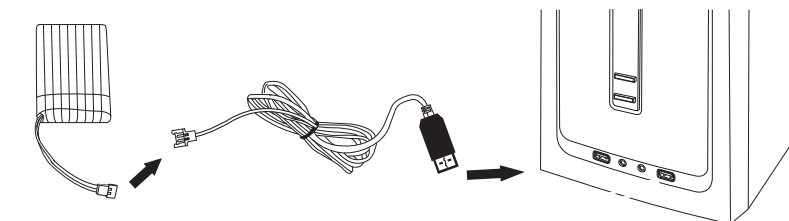


To install batteries: Open the cover of battery case, insert 3 x 1.5V AA batteries, according to indicated polarity (batteries not included).

Battery installation should be done under adult supervision only!
Do not mix old and new batteries.
Do not mix different types of batteries.

Charging

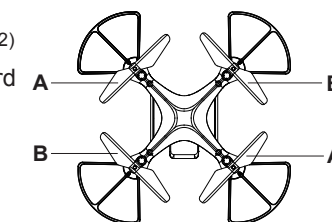
Connect one side of the USB connector with the battery, and the other side into any USB port of computer or a smartphone charger (not included).



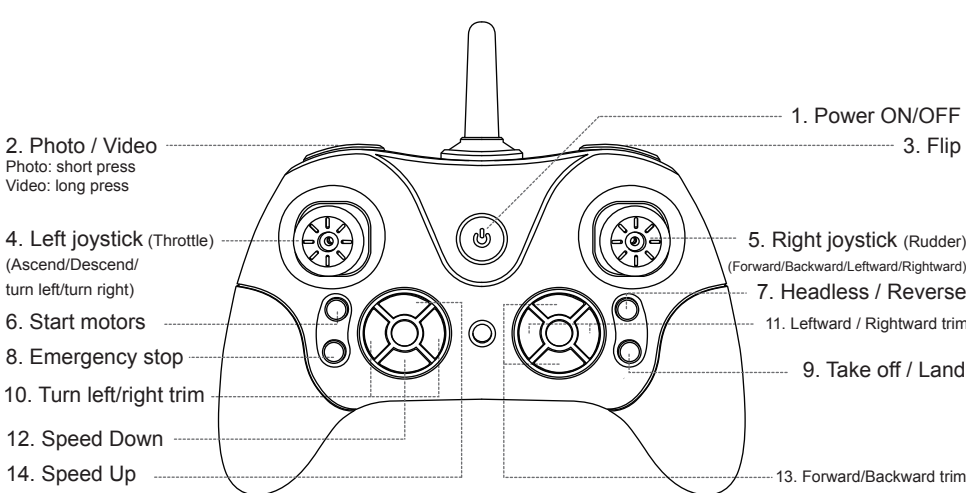
Drone

Replacing the damaged blades:

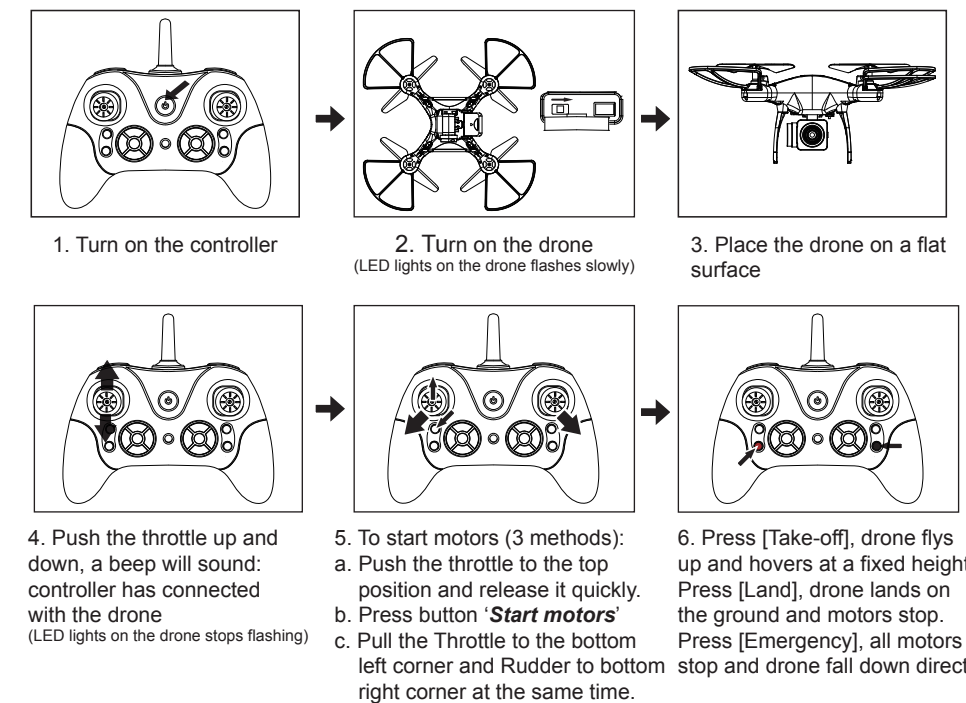
Your set will come with 4 spare rotors, two type A (A1=A2) and two type B (B1=B2). You will see the "A" and "B" word on the canopy, then put the rotor on the motor accordingly



Remote Control



Standard Operation Steps



Calibration Reset (Very important!)

Before first flying, Calibration Reset is necessary to be done, to make sure the drone will fly stably: Pull the throttle and rudder to **Bottom Left corner** at the same time for 3 secs, the LED lights on the drone flashes quickly, then let go the throttle and rudder.

The LED lights on the drone stops flashing and keeps on. Calibration Reset complete.

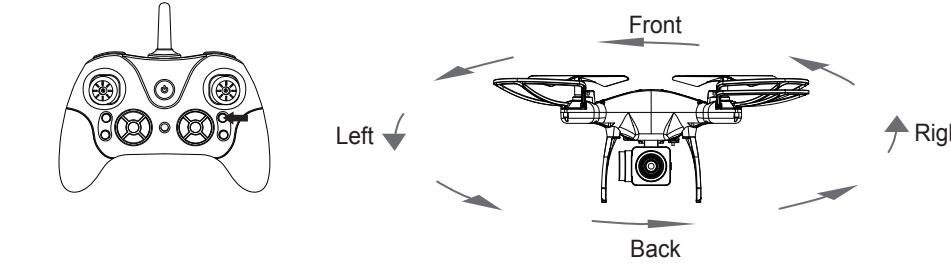


Headless Mode

Start / Quit Headless Mode

Press the button on controller (as picture) you will hear beep sounds, then you get into headless mode and lights flash on the drone. Press it again to quit.

At the moment when you start headless mode, the direction that controller is pointing to will be fixed as the directions of drone. No matter how you rotate the drone, the front direction won't change accordingly.

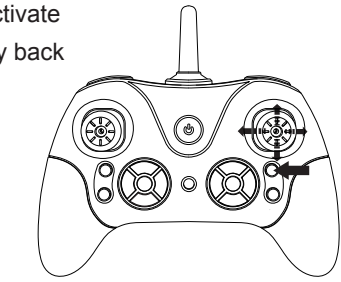


One Key Reverse

Press and hold this button (as picture), and you will activate One Key Reverse and the drone will now attempt to fly back towards its starting direction.

If you want to deactivate this mode, then push the right joystick (Rudder) to any direction.

Note: The drone will not land automatically, you still need to control the height of the drone when using the one key reverse flying mode.



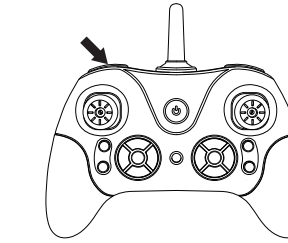
Take Photo & Video

1. Insert the microSD card correctly into the camera when the drone is OFF.
2. Connect the camera to the drone by the standard power wire.
3. Power on the drone and connect it to the remote controller as per 'Standard Operation Steps'.
4. When the drone is in the air, press the **PHOTO** button, then one photo will be taken and

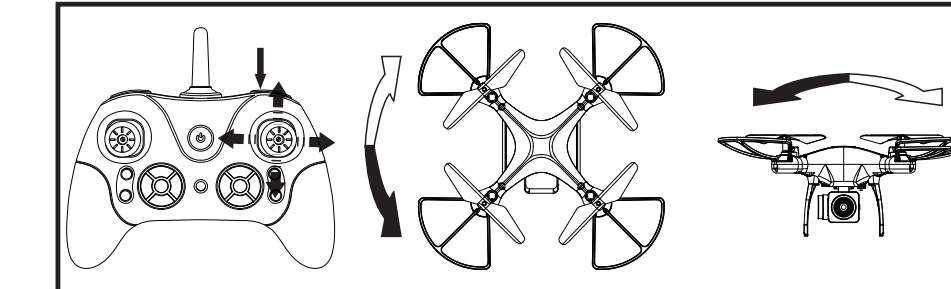
saved into the microSD card (NOT included!) automatically. Meanwhile, the indicator light inside the camera makes a quick flash.

5. Press and hold the **VIDEO** button, the camera will start recording and the indicator light inside the camera keeps flashing. Press it again, the video will be saved into the microSD card and camera stops recording.

6. To enjoy the photo and video captured, power off the drone first and remove the microSD card from camera, then connect it to any computer.



Flips and rolls

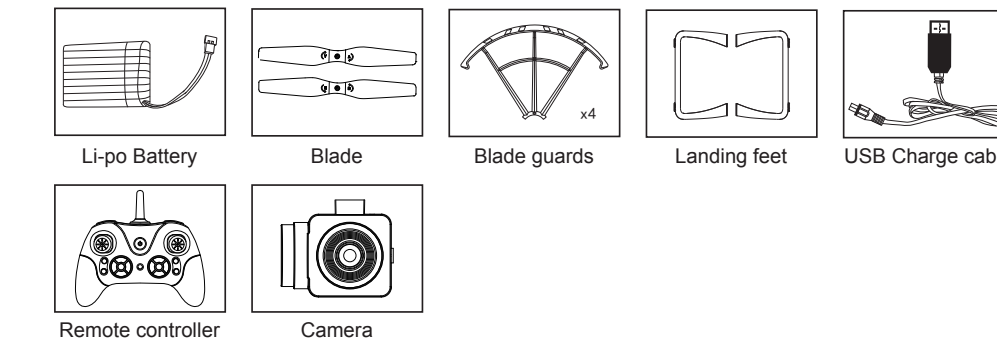


After you have the basics of flying, you're ready to learn flip and roll your drone.

To perform a flip or roll, press the **Flip** button, make sure the drone is at least 3 meters off the ground and quickly push the Rudder, in either direction to make the drone flip or roll.

Once the manoeuvre is completed, steady the drone.

Main Accessories



ALL RIGHTS RESERVED, COPYRIGHT DENVER ELECTRONICS A/S

DENVER
denver-electronics.com



Electric and electronic equipment and included batteries contains materials, components and substances that can be hazardous to your health and the environment, if the waste materials (discarded electric and electronic equipment and batteries) are not handled correctly.

Electric and electronic equipment and batteries are marked with the crossed out trash can symbol, as below. This symbol signifies that electric and electronic equipment and batteries should not be disposed of with other household waste, but should be disposed of separately.

As the end user it is important that you submit your used batteries to the appropriate and designated facility. In this manner you make sure that the batteries are recycled in accordance with legislature and will not harm the environment.

All cities have established collection points, where electric and electronic equipment and batteries can either be submitted free of charge at recycling stations and other collection sites, or be collected from the households. Additional information is available at the technical department of your city.

Hereby, Inter Sales A/S declares that the radio equipment type DENVER DCH-340 is in compliance with Directive 2014/53/EU. The full text of the EU declaration of conformity is available at the following internet address: Please enter: www.denver-electronics.com and then click the search ICON on topline of website. Write modelnumber: dch-340. Now enter product page, and red directive is found under downloads/other downloads.
Operating Frequency Range: 2458 MHz - 2473 MHz
Max Output Power: 25.9 W

Imported by:
DENVER ELECTRONICS A/S
Omega 5A, Soeften
DK-8382 Hinnerup
Denmark
www.facebook.com/denverelectronics