

# DENVER<sup>®</sup>

VPL-200



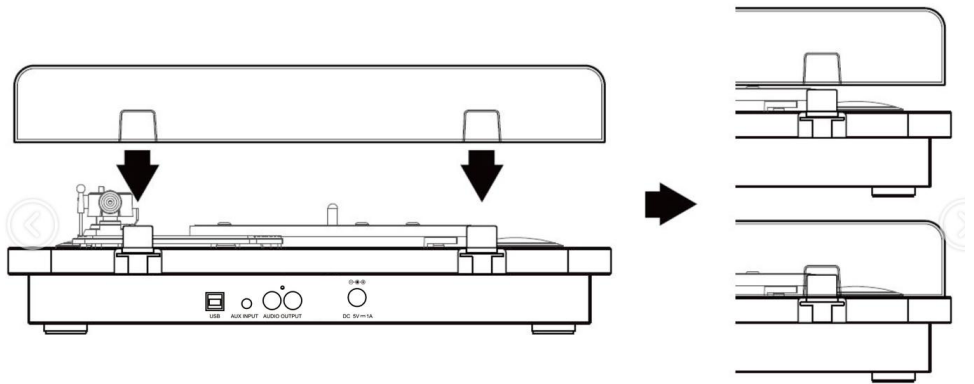
## USER MANUAL

**Please read this manual carefully before using,  
and keep it for future reference.**

[www.denverelectronics.com](http://www.denverelectronics.com)

## FITTING THE DUST COVER

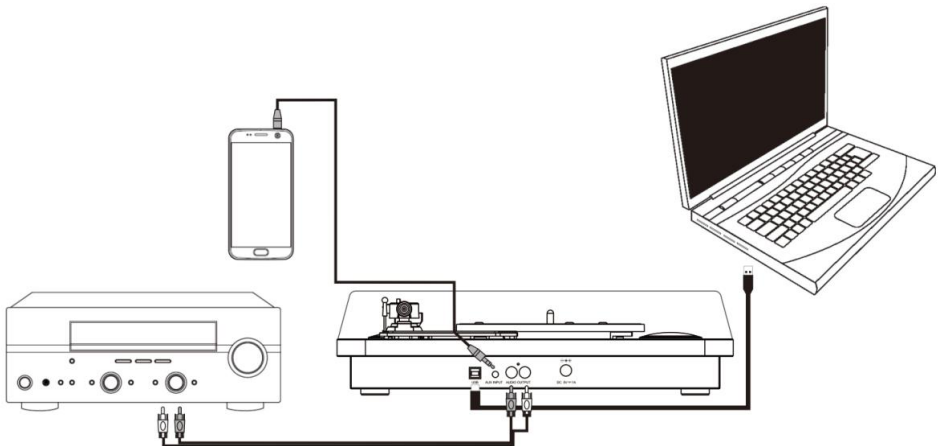
Refer to the diagram below to attached the plastic dust cover.



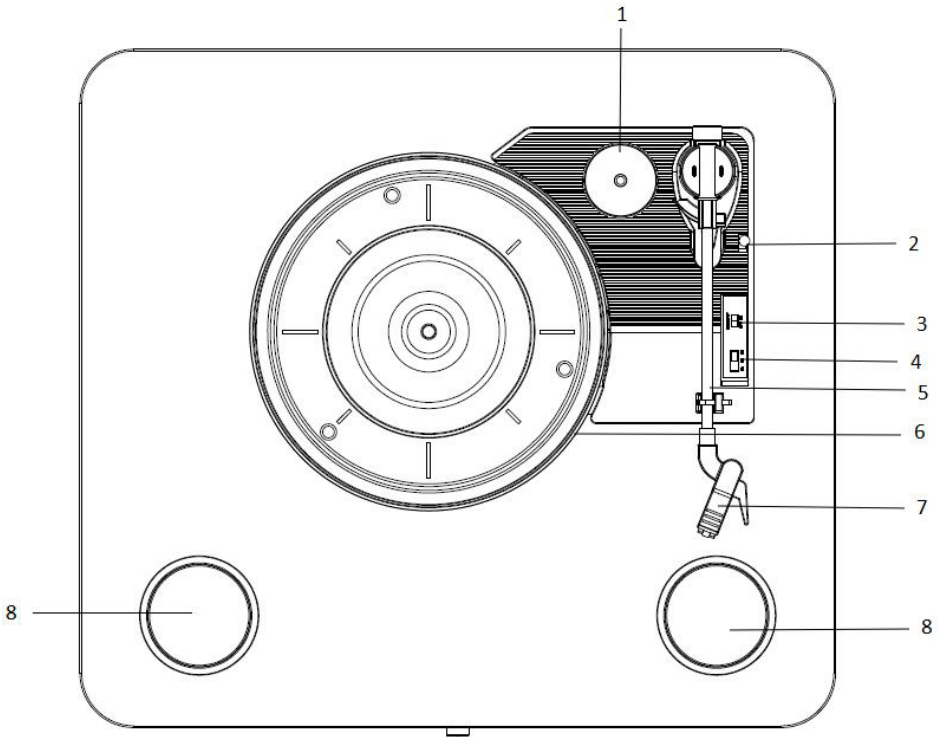
Note: Take care when fitting, and do not press down too hard. Remove the dust cover in the same manner, but pull the cover upwards.

## CONNECTING TO AN EXTERNAL SOUND SYSTEM

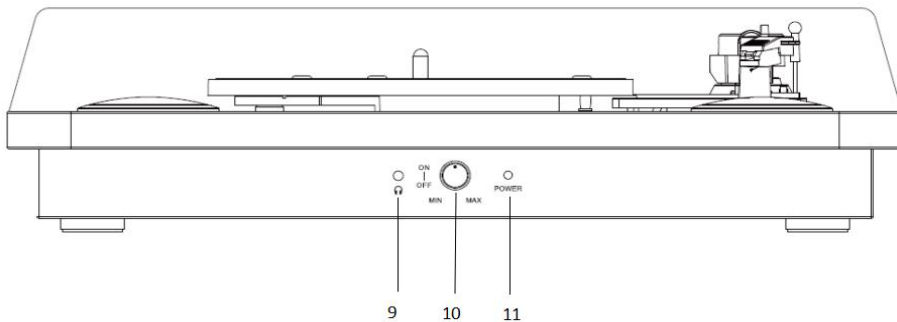
Since the Turntable has built-in speakers, it is not necessary to connect speakers in order to listen to your vinyl records. However, if you want to connect your own speakers, please see the following diagram.



## DESCRIPTION&FEATURE



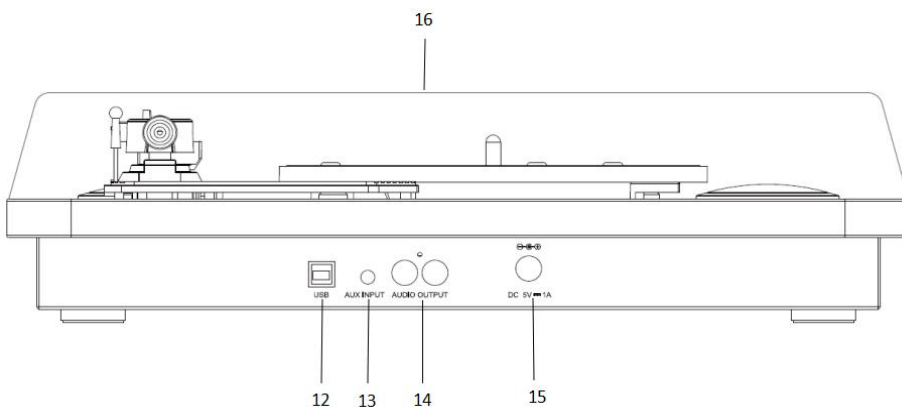
1. **45 RPM Adaptor Holder** – Use this if playing 45 RPM records with cut out centres.
2. **Raise/Lower Lever** - Raises and lowers the tonearm.
3. **Auto stop Switch** - This switch turns autostop on or off. When autostop is on, the platter will start spinning when the tonearm is placed over the record and stop spinning when the record has reached the end.(When autostop is off, the platter will always spin regardless of the position of the tonearm)  
**Note:** If your vinyl record stops before it reaches the end of the music ,turn Autostop to the off position for this particular record. This is generally recommended for 45 RPM records .
4. **Speed selector switch(33, 45 & 78 RPM)** - This switch controls the RPM of the turntable platter.
5. **Tone arm** - The tonearm can be raised and lowered by hand, or by pressing the raise/lower lever.
6. **Turntable Platter** - Place your record here.
7. **Cartridge** - Stylus and ceramic cartridge. Remove the plastic cover off the stylus before playing a record .
8. **Speakers** - Listen to the audio from your playing vinyl record.



9. **Headphone Jack(3.5mm)** - Connect your headphones(not included)to listen to your vinyl playback.

10. **Power switch/Volume control knob** - Rotate the ON/OFF/Volume control knob clockwise until you hear a click and the POWER LED (11) illuminates.

--To power off the turntable rotate the ON/OFF/Volume control knob anti-clockwise until you hear a click and the POWER LED goes off .



12. **USB Audio Output** - Use the included USB cable to connect your turntable to your computer. The USB connection will send audio from the turntable to your computer.

Please see the **INSTALLING THE SOFTWARE** section of this manual for information .

13. **Aux Input** - Connect another audio source,such as a smartphone to the turntable to allow playback through the built-in speakers.

14. **RCA Output** - The audio from a playing vinyl record is sent to this line-level coaxial audio output.This must not be connected to phono level devices .(If you do not ready have an RCA cable, this can be found in local electronics retailer.)

15. **Power Adaptor connection port** - Use the included adaptor to connect to wall power.

16. **Dust cover** - Transparent dust cover.



## Using your turntable

### PLAY A RECORD

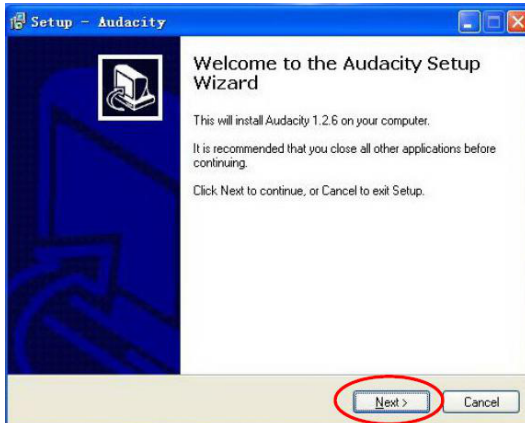
1. Before use, ensure the security wire (tone-arm rest/lock) and the cartridge protector (stylus/cartridge) have been removed. And the tonearm lock is released.
2. Place a record on the turntable platter .
3. Select the speed required using the speed selector switch.
4. Raise the tone-arm using the tone-arm lift lever . As you move the tonearm towards the record the turntable begins spinning. Lower the needle gently onto the outer edge of the record using the tone-arm lift lever .
5. Rotate the ON/OFF/Volume control knob to increase or decrease the volume level.
6. When the record has finished playing, the tone-arm will stop automatic, and then the turntable will stop automatically if the auto-stop switch is in the "ON" position. If the switch is in the "off" position, it will keep revolving all the time.

## RECORDING

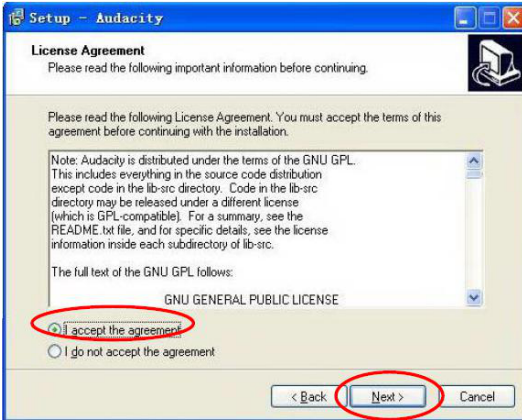
### INSTALLING THE SOFTWARE

Place the supplied CD into the drive of your computer, follow the instructions and the software will automatically install as follows:

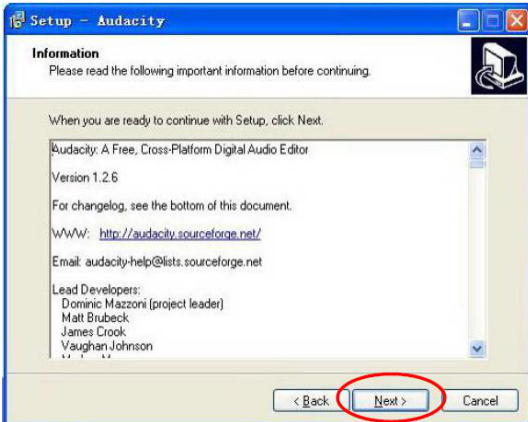
1. Open the software, double press the file "Audacity.exe", then press "next" to go forward;



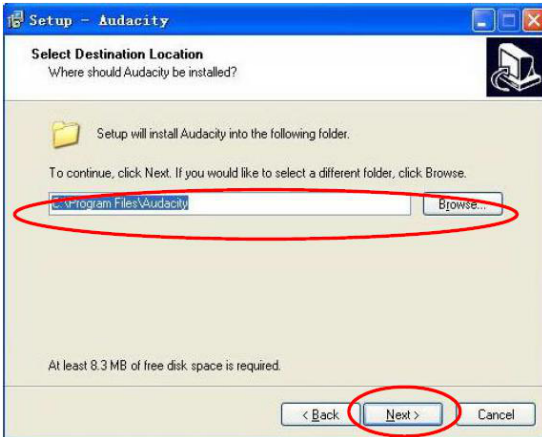
2. Choose I accept the agreement, and press "NEXT" to go forward;



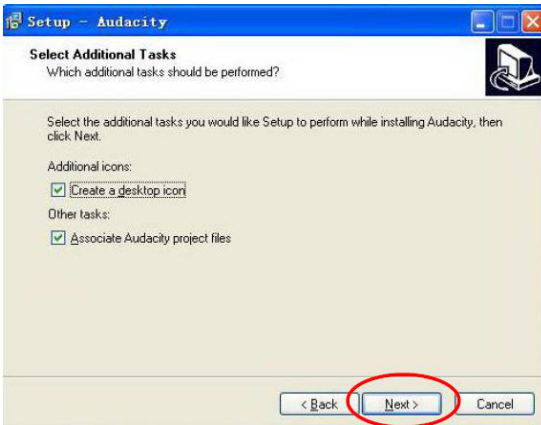
3. Press "next" to go forward;



4. Choose the destination location, and press to go forward;



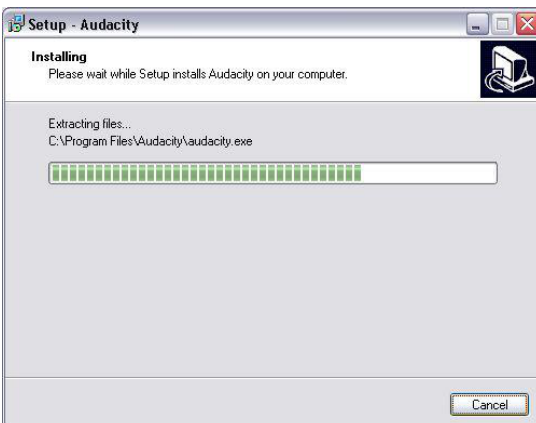
5. Press "next" to go forward;



6. Click 'Install' to continue:



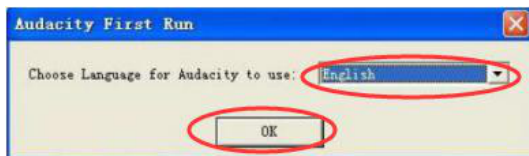
7. The software will start to install:



8. Waiting for installation finished, and press "finish" to end the installation;



9. Choose the language as user's need;




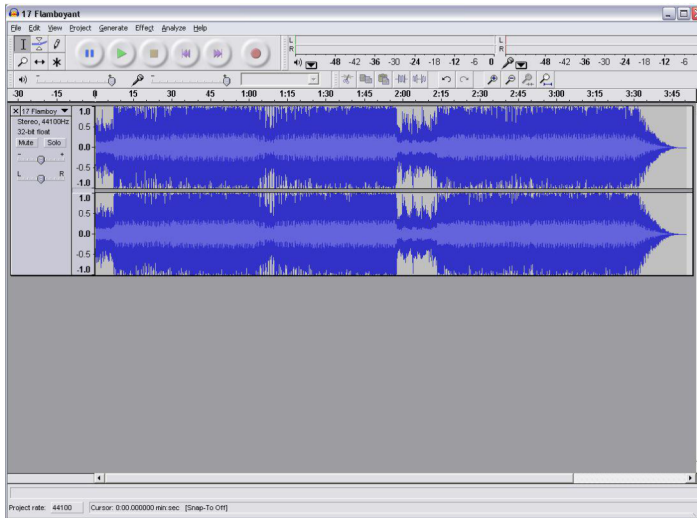
- Audacity should automatically start up, if not follow the next sequence:
- The Audacity icon will now be seen on the desktop, double click on it to start Audacity running, if an icon does not appear, go to the 'C' drive under 'My Computer', click on 'Program files' and then 'Audacity'. Right click on the 'orange ball wearing Headphones' icon and select 'Send to' then 'Desktop (create shortcut)'.

#### USING AUDACITY

- With Audacity software installed on your computer, use the included USB cable to connect Turntable's USB port to an available USB port on your computer.
- Run the Audacity software by double clicking the Audacity icon.
- Before recording, click on Edit at the top of the main page; select Preferences at the bottom of the menu which will open up Preferences.
- At the recording part of the window open the Device menu by using the down arrow on the right hand side. Select the USB PnP Audio Device option from the menu. Also tick the box next to 'Software Play through (Play new track while recoding it)'.
- The lower box enables the number of recording channels to be set, 1 is Mono and 2 is Stereo, select the Stereo option.

## RECORDING TO COMPUTER USING AUDACITY

- Start the record playing as described above, and press Record  at the top of the Audacity window to start recording to the computer.
- Once recorded use the Transport controls at the top of the screen. Go to start, Play, Record, Pause, Stop and Go to end of Wave form as below:



- Use the file, Edit, View, Project, Generate, Effect and Analyse menus to Save, Export and Manipulate your music.
- If the recording level requires adjustment, click on 'START', 'SETTINGS' and select control panel. Under Control Panel select 'SOUNDS and AUDIO DEVICES', click on the 'VOLUME' tab and select 'ADVANCED'.
- On the Master volume window select options at the top left hand corner, click on properties in the drop down menu.

In the Properties window select "USB PnP Audio Device" from the drop down menu at the top. Click on "OK" to confirm the selection and a window will now appear

- with a control for the recording level. Move this control up if the recording is too quiet and down if the recording is too loud
- NOTE: the blue wave form should sit in the Audacity window such that the peaks of it stop short of the top and bottom
- Before editing your music, the recorded waveform will need to be highlighted.
- To highlight your wave form, click with the left mouse button on the left hand side of the waveform (under the L+R controls) and the waveform will go darker.

- At this point the whole waveform can be edited. However if only a section of the waveform needs to be edited (or saved) the section required can be highlighted by placing the mouse over the beginning of the section holding the left button down and dragging it right over the area required and releasing it when the end of the desired section is reached. This darkened section will now be the only audio that will be edited.
- Alternatively click on the EDIT menu at the top left and then click on SELECT then choose from: All (whole wave form), Start to Cursor or Cursor to end.
- NOTE: after recording to the Computer, the USB cable may have to be removed from the USB port in order to enable playback later from the Computer.

### **EXPORTING YOUR MUSIC FILES(.WAV)**

- Once you have recorded and edited your music, you will need to save your files to the computer. To do this, click on file and move down to Export as WAV tab.
- Click on this and you will promptly be asked for the file name of the music recorded which will be saved in the location shown. At this point either make a note of the folder where your music is saved or save it in a folder of your choice.
- This can either be an existing one or a new folder.

### **EXPORTING YOUR MUSIC FILES(.MP3)**

- Once you have recorded and edited your music, you will need to save your files to the computer. To do this click on file and move down to Export as Mp3 tab.
- Click on this and you will promptly be asked for the file name of the music recorded which will be saved in the location shown. At this point either make at note of the folder where your music is saved or save it in a folder of your choice.
- This can be either an existing one or a new folder.

NOTE: In order to activate the Export to Mp3 feature, it will be necessary to copy a file named lame\_enc.dll from the installation CD and paste it in the AUDACITY folder that contains the software on the hard drive that was copied earlier from the CD. The software will automatically detect this file and exporting as an mp3 will now be possible.

## TROUBLESHOOTING

Problem	Reason(s)	Solution(s)
No power.	Power cable not connected to wall socket. Power socket is not switched on.	Make sure the plug is connected. Switch the power on.
No sound when connected to a home stereo system.	Volume is too low. 3.5mm audio cable is connected to the Aux input port. Aux-in source volume is too low.	Increase the volume. Remove the cable to resume normal playback. Increase the output volume of the Aux-in source.
The record is playing too fast or too slow.	Adjust the speed setting.	Change the speed selector to the correct position.

## MAINTENANCE

### REPLACING THE STYLUS

-Refer to the figures 1-8



Push the arm lock to release the tone-arm.



Take off cap of cartridge to expose the needle out.



Separate the cartridge from the socket lightly.



Take off the audio-line from the cartridges

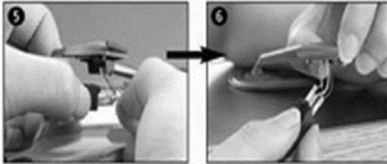


To fit a new one just in opposite deals, insert the audio-line accordingly, and install the cartridge to the socket lightly.

**Note :** Please exercise extreme care whilst performing this operation so as to avoid the tone arm and audio line wires from any damage.

### INSTALLING A NEW STYLUS CARTRIDGE

-Refer to the figures 5 & 6



### NOTES

We advise you to clean your records with an anti-static cloth to gain maximum enjoyment from them and to make them last.



We would also point out that for the same reason your stylus should be replaced periodically (approximately every 250 hours)

Dust the stylus from time to time using a very soft brush dipped in alcohol (brushing from back to front of the cartridge)

WHEN TRANSPORTING YOUR RECORD PLAYER DO NOT FORGET TO:

- Replace the protective cap on the stylus.
- Put the rest clip into the pick-up arm.

ALL RIGHTS RESERVED, COPYRIGHT DENVER ELECTRONIC A/S, [www.denver-electronics.com](http://www.denver-electronics.com)

[www.facebook.com/denverelectronics](https://www.facebook.com/denverelectronics)



ALL RIGHTS RESERVED, COPYRIGHT DENVER ELECTRONICS A/S

# DENVER®

www.denver-electronics.com



Electric and electronic equipment contains materials, components and substances that can be hazardous to your health and the environment, if the waste material (discarded electric and electronic equipment) is not handled correctly.

Electric and electronic equipment is marked with the crossed out trash can symbol, seen below. This symbol signifies that electric and electronic equipment should not be disposed of with other household waste, but should be disposed of separately.

All cities have established collection points, where electric and electronic equipment can either be submitted free of charge at recycling stations and other collection sites, or be collected from the households. Additional information is available at the technical department of your city.

Imported by:  
DENVER ELECTRONICS A/S  
Omega 5A, Soeften  
DK-8382 Hinnerup  
Denmark  
[facebook.com/denverelectronics](https://www.facebook.com/denverelectronics)