

Multi-functional Jump Starter and Power Bank

Instruction Manual



[Facebook.com/denverelectronics](https://www.facebook.com/denverelectronics)

Contents

TOC

Precaution

We appreciated your recent purchase of our product. Please read this manual deliberately before utilizing the appliance and hold it for future reference.

Safety Instructions/Warnings

Before using this unit, read and see all safety instructions and warnings carefully, basic safety precautions ought to dependably be taken after to diminish the danger of flame, leaking batteries, injury, and materials harm.

General Warnings

1. The appliance not expected for use by people with reduced physical, tactile, or mental capacities.
2. Children or Adults ailing in experience and information additionally should not work this machine unless he/she has given supervision or guideline concerning the correct use and notices of the apparatus by a man in charge of their security.
3. Use in a dry area as it were. Try not to permit the apparatus to wind up wet.
4. Do not submerge the apparatus in water.

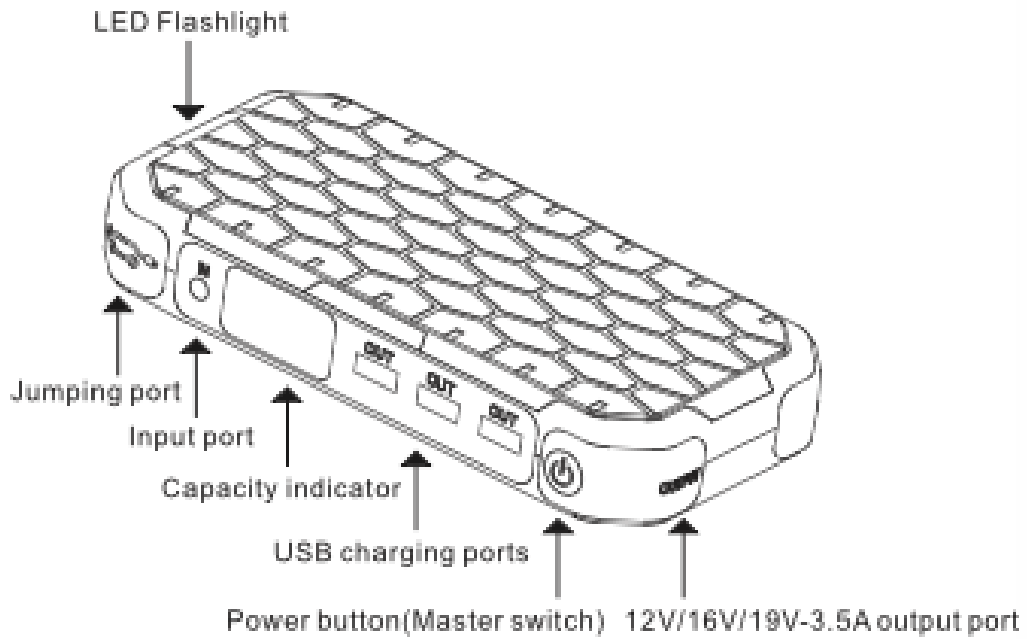
5. Do not open the appliance to flame, serious warmth or combustible fluids.
6. Do not open the appliance to supplant the inside battery. No client replaceable parts are inside the jump starter.
7. Do not use this item where there are combustible vapor, gasses or dust present.
8. To reduce the risk of damaging plugs and cords, never pull the cable to remove the plug from a socket outlet.
9. Dropping, hitting or applying excessive amounts of force to the hope starter may damage the unit. And this could bring about loss of operation, electric fire or another undesired result.
10. Use just the charging connectors, and jumpstarting clamp gave in this package. Unapproved parts may bring about actual harm or damage.
11. If the fluid of item sprinkles into eyes or skins, do not rub the eyes, wash promptly with clean water and look for quick restorative consideration.
12. Never open or dismantle the machines as it will void your guarantee.
13. Separate gathering. This item should not discard with ordinary household waste. Isolate accumulations of utilized items and packaging permits materials to be reused and used once more.

Reuse of reused materials forestalls genetic contamination and lessens the interest for crude materials.

Product Package

1. AC adapter
2. Car charger
3. USB cable
4. Smart clamp
5. Jump starter
6. User manual
7. EVA zipper bag
8. Laptop cable
9. Laptop plug

Product Diagram



EN	EN
LED Flashlight	LED Flashlight
Jumping port	Jumping port
Input port	Input port
Capacity indicator	Capacity indicator
USB charging ports	USB charging ports
Power button (Master switch)	Power button (Master switch)
12V/16V/19V-3.5A output port	12V/16V/19V-3.5A output port

Additional Functions

LCD Screen

Press the power button, LCD will show battery level, output and battery symbol. When you utilize the appliance to charge your devices, the output voltage and current will be indicated on the LCD screen.

1. When charging jump starter, the charging symbol “IN” will flash on LCD; When completely charged, the battery level is 100%.
2. When utilizing USB charging, LCD will show current for 5 seconds and after that change to battery level. At the point when the battery level is lower than 20%, the battery symbol will glimmer to remind users charging.
3. If press power button and LCD does not display, it implies the battery has run out, the internal circuit will begin battery core protection naturally. Users require charge jump starter soon to keep cell center from harming for long-term self-consuming.

LED Flashlight

Keep pressing the power button for 3-5 seconds to start the LED flashlight. There are three modes of LED lights, follow steps:

- 1st Press: Normal white light
- 2nd Press: Slow white strobe light
- 3rd Press: Quick white strobe light
- 4th Press: Shut down flashlight

Specification

Battery Capacity: 10000mAh/37Wh

Battery Type: Lithium-ion battery cell

Starting voltage: 12V

Output: 5V/2A max 3A; 12V/16V/19V-3.5A

Input: 15V/1A

Cranking current: 300A

Peak current: 480A

Life Cycle: ≥ 500

Flashlight Power: 1W

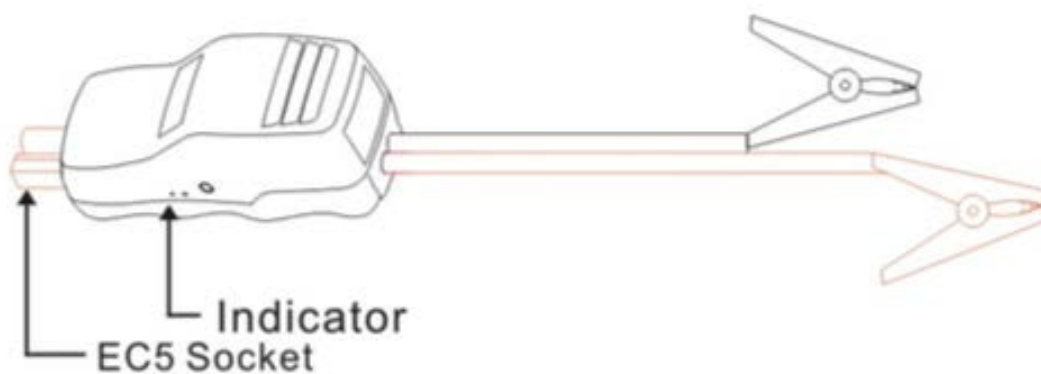
Flashlight Lumens: 1W

Charging Time: 15V AC adapter takes 6-8hrs to full charge

Working temperature: -20 - 60°C

Humidity: 10-90%

Smart Clamp Functions



EN

EN

Indicator	Indicator
EC5 Socket	EC5 Socket

Safety Instructions

1. Quando la Smart Clamp inizia ad alimentare il carico, non collegare le pinze rossa e nera insieme. Questo potrebbe provocare un corto circuito e danneggiare l'avvitatore.
2. If the product expands, please quit utilizing it.

Nine Safety Protections

1. Short Circuit Protection

When short circuit happens, the indicator red light of smart clamp will be on and alarm sound, the clamp will shut down output automatically.

2. Reverse Polarity Protection

The smart clamp can test whether the auto battery positive and negative interface accurately with the red and black clamp, if they associate inaccurately, the red indicator light will be on and alarm sound, clamp shut down output automatically.

3. Protezione inversione

La Smart Clamp permette di evitare che la batteria della vettura carichi automaticamente l'avvitatore: in caso contrario, l'avvitatore potrebbe danneggiarsi.

4. Low-Voltage Protection

Normally the car battery voltage is 12V, it's possible the incoming voltage of car battery is too low when jump starter starts the car because of low capacity. The indicator red light will be on and the smart clamp will shut down output automatically to keep the car battery being damaged.

5. Over-Voltage Protection

Normalmente la tensione della batteria dell'automobile è 12V, Quando l'avviatore alimenta il circuito della vettura può succedere che tensione superi i 12V a causa della sua elevata capacità. La spia rossa si accenderà e la Smart Clamp provocherà lo spegnimento automatico dell'uscita per evitare che la batteria della vettura venga danneggiata.

6. Internal IC Components Malfunction Alarm

If there is any problem with inside IC components, the indicator red light will be on, and the smart clamp alarm sound consequently.

7. Clamp Dropping Alarm When Jumpstarting

While jumpstarting the auto, the indicator red light will be on and the smart clamp alarm sound consequently if the clamp drops from the terminals.

8. Compulsively Manual Switch Mode

Non utilizzare questo comportamento senza una guida professionale: esso potrebbe danneggiare l'avviatore e provocare degli infortuni.

9. Test Car Battery Quality

The smart clamp can check auto battery quality. When car battery has

been damaged, the indicator red light will be on and alarm sound automatically, clamp shut down output automatically.

How to Charge Jump Starter

Safety Instructions

1. Per caricare l'avviatore non utilizzare altri sistemi al di fuori del caricabatterie in dotazione.
2. Si prega di spegnere tutte le utenze per garantire un tempo di carica più rapido e garantire l'utilizzo della batteria.
3. Please do not jumpstart the auto while charging the appliance.
4. Be far from any unsafe source while charging the appliance, for example, combustible exhaust, gasses or water and so on.
5. Keep the temperature between 0°C - 40°C while charging.
6. During charging, if the product is warmth staining, please quit utilizing it, it might prompt to fluid spilling, smoking or smoldering.
7. In generale, per completare la ricarica saranno necessarie sei ore. Non caricare l'apparecchio per più di 10 ore in quando ciò potrebbe danneggiare il prodotto.
8. Assicurarsi che la connessione sia corretta e che l'adattatore CA sia ben inserito nella presa di corrente. In caso di

mancata ricarica, si prega di contattare il servizio di assistenza del rivenditore.

9. Ricordarsi di controllare la corretta funzionalità dell'apparato ogni tre mesi e di effettuare una ricarica completa dell'unità ogni semestre.

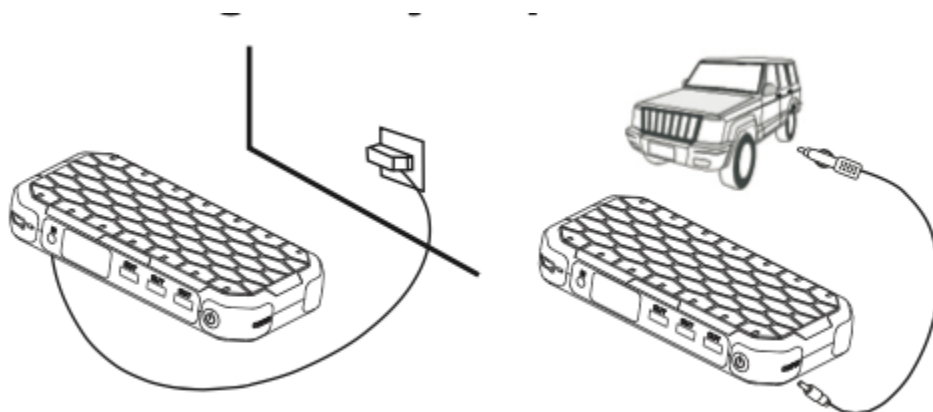
Charging Procedures

Technique 1:

Connect AC adapter Plugged into a socket Outlet to 15V input port Of the jump starter to Start charging.

Technique 2:

Connect one end of car charger to 15V input port of the jump starter, then connect the other end to Cigarette lighter port to start charging.



Safety Protections

1. Over Current Protection

2. Over-Voltage Protection
3. Short Circuit protection

In caso di sovracorrente, sovratensione o cortocircuito, l'apparato isolerà automaticamente ingresso e uscita per evitare danni a se stesso e ai dispositivi collegati. Si prega di rimuovere tutte le spine dal proprio apparecchio e di tenerlo al fresco e all'asciutto. Successivamente, caricare l'apparecchio per riattivarlo.

Cautions:

1. Do not charge device immediately after starting.
2. Do not plug in clamp into device when charging.
3. Do not charge device over 10 hours.

Why cannot the appliance be charged?

1. Check whether the jump starter has been connected well with the charger and whether the charger has been plugged into power socket well.
2. Make sure the cable interfaces well with jump starter and auto cigarette light port.
3. If above all is well, the appliance still can't be charged, please contact sale after service for help.

Using the Appliance as a Jump Starter

Caution Before Using

1. Vehicles may have electrical and electronic systems that may be damaged if subjected to high starting voltages and voltage crests. Before connection the appliance to the vehicle, read the vehicle's owner's manual to confirm that external-starting assistance is allowed.
2. Before use, check the appliance for damaged or defective parts. Check for breakage of parts, damage to switches and whatever other conditions that may influence its operation.
3. Do not use the appliance if any part is damaged or flawed and contact after service for assistant.
4. Before starting the vehicle, check the battery level at least at 50%.
5. Check whether the item expands, distorts and smells peculiarly.
6. Clear up the dust on the electrodes of your auto battery before jump starting.
7. Before starting the vehicle, please ensure the air conditioning, car audio and other electronic gadget are closed off.
8. The appliance is not intended to utilize as a replacement for a vehicular battery. Try not to endeavor to work a vehicle that does not have a cell introduced.
9. The appliance can jumpstart any 12-volt vehicles, for example, motorcycles, autos, jeeps, steamships and so forth.

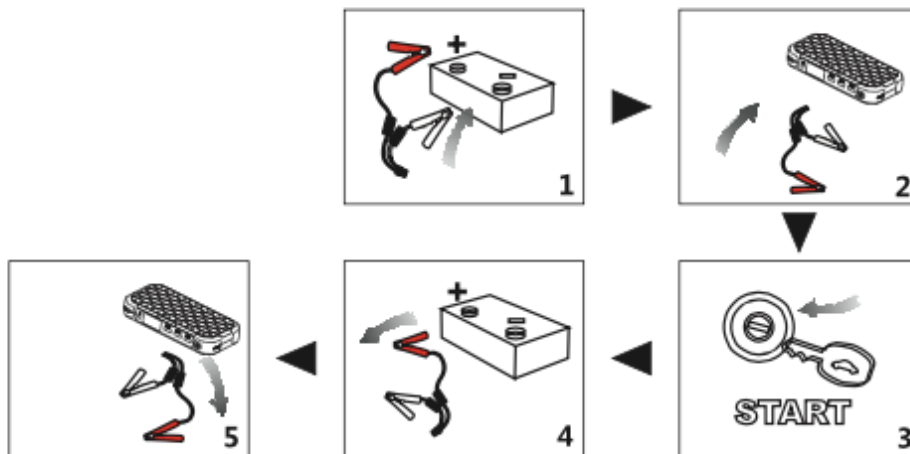
10. Remember there is an auto-off component on the jump starter.

What if you don't attempt to start your car within 30 seconds, it will consequently close itself off.

11. Before starting your car, make sure the vehicle is in neutral with the parking brake applied.

Jumpstarting Procedure as Below

1. Tightly interface the red clip to auto battery positive (+), black clip to negative (-), normally the green and red indicator light of smart clamp will flash alternately. If the connection is not correct, only red indicator will be on and alarm sound.
2. Open the rubber lid of jump start port, connect the EC5 of clamp to the port.
3. Start Auto: The appliance can start vehicle (up to 4.0L petrol or 2.0L diesel motor) up to 20 times with 480A peak current.
4. After starting auto, the green indicator light will be off and the red indicator light is still on, smart clamp alarm sound. Remove the clamp from auto battery instantly.
5. Finally, remove the EC5 of clamp from the jump starter port.



Importante:

Se la Smart Clamp invia un allarme, potrebbe essere necessario rimuoverla dalla batteria, estrarla dall'avviatore e riavviare il processo.

Caution When Using

1. Tightly interface the car clip plug, or it will influence starting vehicles, even cause car plastic liquefy down.
2. Each starting vehicle interim to 10 seconds, the constantly starting times is not more than 20 times.
3. If starting vehicle constantly for 3 times, regardless it doesn't succeed, please check whether the clip is free or interfaces accurately and whether the operation is right. What if despite everything it doesn't prevail after one more attempt, please contact customer service for help.

4. Dopo l'avvio, non collegare entrambe le pinze in quanto ciò potrebbe compromettere la sicurezza.

Caution After Using

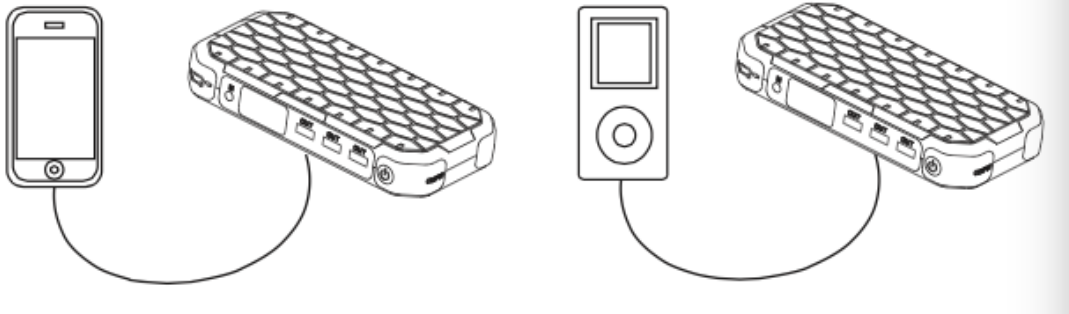
1. When you are not utilizing it, store it in a dry place, well-ventilated place out of the reach of children.
2. Children should not have access to stored appliance.
3. The appliance should be out of direct sunlight, heat and moisture.
4. Before of self-consuming, we recommend that you check the appliance every 3 months and recharge it every half year to guarantee satisfactory performance when needed.
5. Never allow the red and black clamp to touch each other or another common metal conductor. We suggest storing the jump starter in the box in which it was initially received. Always be sure re-wrap cables and re-holster clamp after each use and before extended storage.

Charge Electronic Products

The jump starter has 3 USB outputs: 5V/3A max and 12V/16V/19V 3.5A

1. USB output: The appliance can charge most of the 5V input devices, such as Apple/iPhone, Android smartphones, iPad, tablet PC, a game machine, MP3/MP4, GPS, digital cameras etc.

2. 12V/16V/19V 3.5A output: Before turning on the main switch, short press it and you can switch the output between 19V 16V and 12V with light indicators on. Different digital devices require different voltage. For example, laptop may need 19V or 16V. So before use please confirm your required voltage. 12V/3.5A can power 12V tools like radios, navigation equipment, camcorders, etc.



Notice:

If the power cannot charge the electronic products, please contact customer service after confirming the connection cable and port are excellent without damage.

Specifiche spina Laptop



Laptop Plug specification

- A: 6.0*1.4 -- Sony, Fujitsu, Samsung
- C: 5.5*2.5 --Dell,IBM,Acer,Toshiba, etc
- D: 5.5*2.1 --Acer, IBM, Toshiba, Lenovo, etc.
- E: 5.5*1.7 --Acer, Sony
- H: 5.0*1.0 --Samsung
- F: 4.8*1.7 --HP, ASUS, etc.
- I: 7.4*0.6 --HP, Dell
- K: 7.9*0.9 --Lenovo, IBM

EN	IT
Laptop Plug specification	Specifiche spina Laptop
A: 6.0*1.4 - Sony, Fujitsu, Samsung	A: 6.0*1.4 - Sony, Fujitsu, Samsung
C: 5.5*2.5 - Dell, IBM, Acer, Toshiba. etc.	C: 5.5*2.5 - Dell, IBM, Acer, Toshiba. etc.
D: 5.5*2.1 - Acer, IBM, Toshiba, Lenovo, etc.	D: 5.5*2.1 - Acer, IBM, Toshiba, Lenovo, etc.
E: 5.5*1.7 --Acer, Sony	E: 5.5*1.7 --Acer, Sony
H: 5.0*1.0 - Samsung	H: 5.0*1.0 - Samsung
F: 4.8*1.7 -HP, ASUS, etc.	F: 4.8*1.7 -HP, ASUS, etc.
I: 7.4.0.6 -HP, Dell	I: 7.4.0.6 -HP, Dell
K: 7.9*0.9 -Lenovo, IBM	K: 7.9*0.9 -Lenovo, IBM

FAQ

Q: How many times of jump starting can I get

from the device before recharging?

A: A large number of factors influence the answer, including the following: the period for every jump starter, the charge level of the original battery, time allotment between jump starts, vehicle temperature being kicked off, the size of the motor, the mechanical condition of the engine and starter and more. These variables should all be weighed on an individual premise before an accurate answer can give.

Q: How do I turn off the jump starter?

A: The jump starter will power off automatically when not in use.

Q: After starting, can I leave the until hooked to the battery to recharge the jump starter while the engine is running?

A: No. Attempting to recharge the jump starter by this method is not allowed. Vehicle alternators output will be from 25-125 amps. This charging rate greatly exceeds the recommended recharging rate for the device. Charging by this way will cause in overcharging the jump starter battery and may void the product warranty.

TUTTI I DIRITTI RISERVATI, COPYRIGHT DENVER ELECTRONICS A/S

DENVER®

www.denver-electronics.com



L'attrezzatura elettrica e elettronica incluse le batterie contengono materiali, componenti e sostanze che possono essere dannose per la salute e l'ambiente se il materiale di scarto (attrezzatura elettrica ed elettronica gettata e batterie) non è gestito correttamente.

L'attrezzatura elettrica ed elettronica e le batterie sono segnate con una croce sul simbolo del cestino, visto sotto. Questo simbolo significa che l'attrezzatura elettrica e elettronica e le batterie non dovrebbero essere eliminate con altri rifiuti domestici ma dovrebbero esserlo separatamente.

E' importante che inviate le batterie usate alle strutture appropriate e indicate. In questo modo vi accertate che le batterie siano riciclate secondo la legislatura e non danneggiano l'ambiente.

Tutte le città hanno stabilito punti di raccolta dove l'attrezzatura elettronica ed elettrica e le batterie possono essere inviate senza spese alle stazioni di riciclaggio e altri siti di raccolta o raccolti da casa. Informazioni aggiuntive sono disponibili al dipartimento tecnico della città.

Importatore:

Inter Sales A/S

Omega 5A, Soeften

DK-8382 Hinnerup

Danimarca

www.facebook.com/denverelectronics