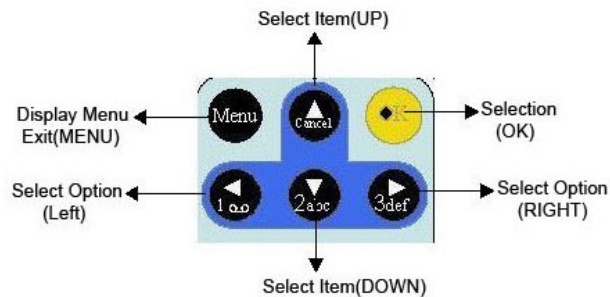
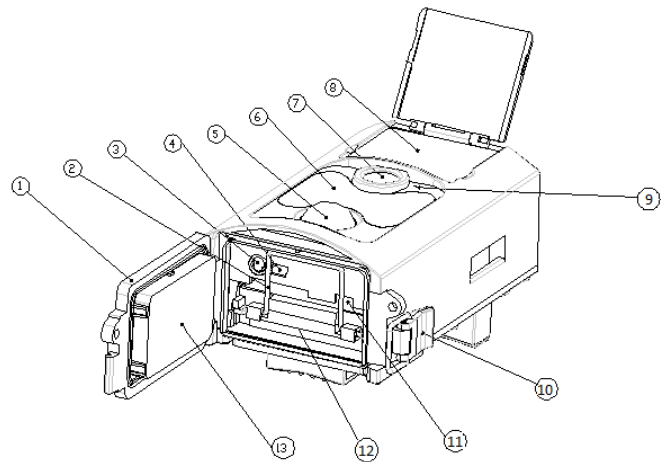


Wildkamera

Quick Start Guide

Overview

- 1) Bottom Cover
- 2) SD-Card Slot
- 3) USB Connector
- 4) TV Out connector
- 5) PIR
- 6) Infrared Flash
- 7) Lens
- 8) 2 inch color LCD Display
- 9) Sound recorder
- 10) Lock
- 11) Power switch
- 12) Battery Depot
- 13) Portable remote controller



A. Preparation

- 1. 4 or 8 AA battery or 6V DC input from top power jack
- 2. unlocked SDHC card (up to 32G)

B. The camera has 3 basic operation modes:

- 1. OFF mode: Power switch is at OFF position.
- 2. ON mode: Power switch is at ON position.
- 3. TEST mode: Power switch is at TEST position.

In the above three modes, the OFF mode is the specified safe mode when replacing the SD-card or batteries and transporting the camera.

C. There are 3 modes under system setting for your selection.

- a. Camera

It only takes photos at a time.

- b. it only takes videos at a time.

- c. Camera & Video.

It takes photo firstly, then takes videos at time.

D. There are also 2 ways to take photos or videos.

- a. Manually by using the remote control

After sliding power switch to 'TEST', without any menu on the screen, press SHUTTER(OK) on the remote control to take photos or videos.

b. Automatically

After sliding power switch to ON, the LED blinks 15 seconds, then the camera takes photos or videos when the movement is detected.

E. To view the photos of videos on the camera, please turn off the camera, slide power switch to Test, press right arrow key on remote control to enter view model.

a. Photos

Press up or down on the remote control to view the previous of next photo.

b. Videos

Press left button on the remote control to start the video, pres left button again to stop.

Note: Press OK to return to screen.

F. Interval, timer, format, NO. and password Instruction

1.Interval, There are two part, one is sensing, the other is taking picture/video, When camera is in on mode, camera starts sensing all the time, if camera is set interval, the interval of taking picture/video is done

2. Timer, camera working time,

3. format, camera has 2M internal memory, user can format interval memory and SD card

4. NO, user can set camera ID. There are six space, every one can be 0-Z

5. Password, 4 digital number

G. Please note, that this is not an error with the Camera:

Heavy rain, fog and drizzle (in the dark) will give white photos without motive.

H. This camera can record file circularly. When SD card is full. Newest files will cover starting ones

I. Wall mount's Function & Installation

This wall mount is for camera to set in house. It can support 10kg and do the level of 360°rotating and 90° vertical turn

After selecting suitable vertical angle, please fix with turning strips. then settle down wall mount on wall with three screws. Please make screw hole at camera button connected with threaded stud at wall mount top

For viewing the full manual please visit our website:

WWW.DENVER-ELECTRONICS.COM

ALL RIGHTS RESERVED, COPYRIGHT DENVER ELECTRONICS A/S

DENVER®

www.denver-electronics.com



Electric and electronic equipment contains materials, components and substances that can be hazardous to your health and the environment, if the waste material (discarded electric and electronic equipment) is not handled correctly.

Electric and electronic equipment is marked with the crossed out trash can symbol, seen below. This symbol signifies that electric and electronic equipment should not be disposed of with other household waste, but should be disposed of separately.

All cities have established collection points, where electric and electronic equipment can either be submitted free of charge at recycling stations and other collection sites, or be collected from the households. Additional information is available at the technical department of your city.

Imported by:

DENVER ELECTRONICS A/S

Stavneagervej 22

DK-8250 Egaa

Denmark

www.facebook.com/denverelectronics