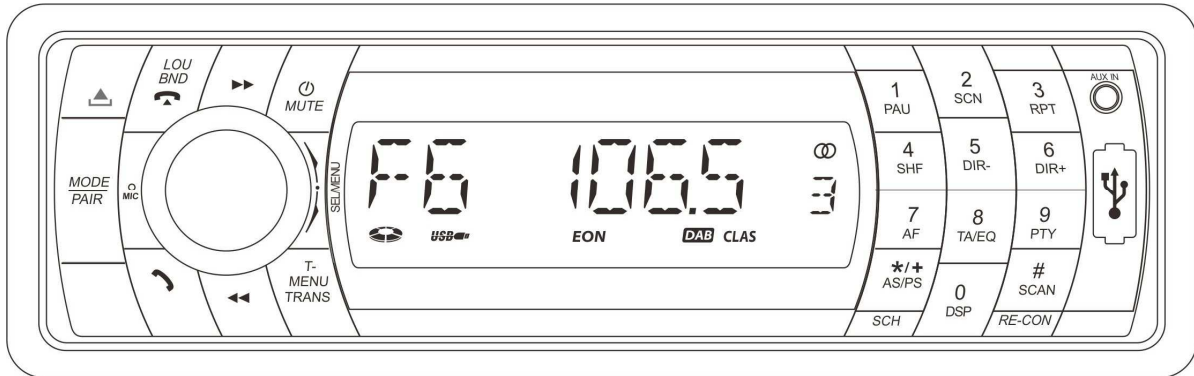


OWNER'S MANUAL

Mobile Audio System



- **PLL Synthesizer Stereo Radio**
- **Automatic Memory Storing**
- **USB&SD Card Interface**
- **Detachable Front Panel**
- **Auxiliary Input Function**
- **Bluetooth Hands-free function & A2DP (Advanced Audio Distribution Profile) Stereo Audio Transmission**
- **DAB function**

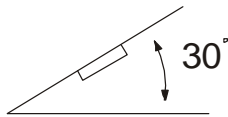
CONTENTS

Installation	3	MASK DIP/ALL.....	12
DIN Front-Mount (Method A).....	3	EONTA DX/LO.....	12
Installing the unit	3	TA-VOLUME.....	13
Removing the unit	4	REG OFF/ON	13
DIN Rear-Mount (Method B)	5	Listening to Traffic Announcement	13
Using the detachable front panel	6	USB play operation	13
Wiring Connection	7	Switching to USB mode.....	13
ISO connection	7	Selecting tracks	13
Location of keys	8	Pausing playing	13
Basic operation	9	Previewing all tracks.....	14
Switching on/off the unit.....	9	Repeating the same track	14
Faceplate release	9	Playing all tracks in random.....	14
Sound adjustment.....	9	Selecting directory up/down	14
Loudness	9	Selecting tracks	14
Display	9	Display ID3 information.....	15
Equalization	9	SD operation	16
Reset function	9	Bluetooth operation	16
Mode selection.....	9	Preparing for operation.....	16
System setting	9	Pairing	16
Auxiliary input	10	Connect.....	17
DAB operation	10	T-menu	17
DAB antenna installation	10	Making an outgoing call.....	18
Radio operation	10	Transfer the call between mobile phone and the unit.....	18
Selecting the frequency band.....	10	BT reset.....	18
Selecting a station	10	Bluetooth audio (A2DP function)	18
Automatic memory storing & program scanning.....	11	Specification	19
Scan	11	Trouble shooting	20
Station storing	11		
RDS	11		
Setting RDS mode.....	11		
Using PTY to select program.....	11		
TA SEEK/ALARM	11		
PI SOUND/MUTE.....	12		
RETURN LONG/SHORY	12		

INSTALLATION

Notes:

1. Choose the mounting location where the unit will not interfere with the normal driving function of the driver.
 - 2) Before finally installing the unit, connect the wiring temporarily and make sure it is all connected up properly and the unit and the system work properly.
 - 3) Use only the parts included with the unit to ensure proper installation. The use of unauthorized parts can cause malfunctions.
- Consult with your nearest dealer if installation requires the drilling of holes or other modifications of the vehicle.
 - Install the unit where it does not get in the driver's way and cannot injure the passenger if there is a sudden stop, like an emergency stop.
 - If installation angle exceeds 30° from horizontal, the unit might not give its optimum performance.



- Avoid installing the unit where it would be subject to high temperature, such as from direct sunlight, or from hot air, from the heater, or where it would be subject to dust, dirt or excessive vibration.

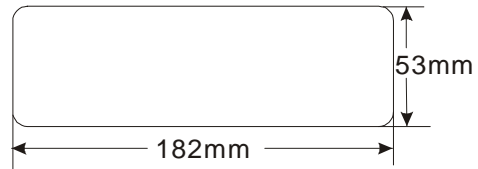
DIN FRONT/REAR-MOUNT

This unit can be properly installed either from "Front" (conventional DIN Front-mount) or "Rear" (DIN Rear-mount installation, utilizing threaded screw holes at the sides of the unit chassis). For details, refer to the following illustrated installation methods.

DIN FRONT-MOUNT (Method A)

Installation Opening

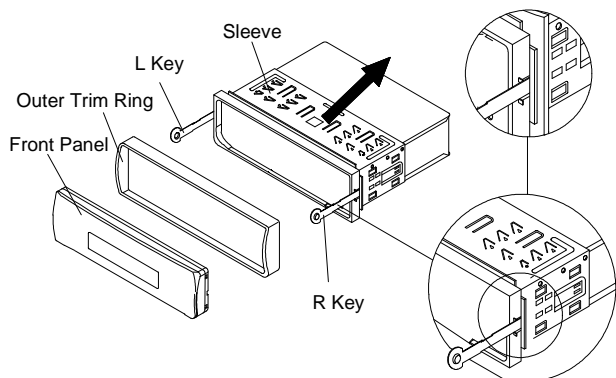
This unit can be installed in any dashboard having an opening as shown below:



Installing the unit

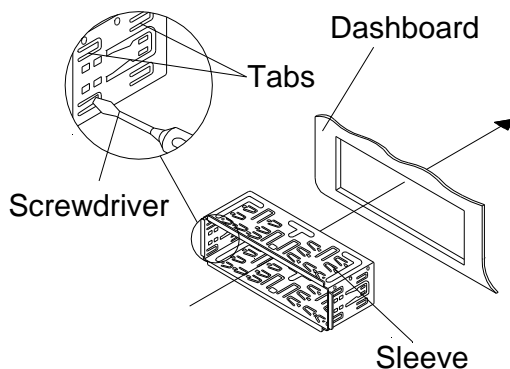
Be sure you test all connections first, and then follow these steps to install the unit.

1. Make sure the ignition is turned off, and then disconnect the cable from the vehicle battery's negative (-) terminal.
2. Disconnect the wire harness and the antenna.
3. Press the release button on the front panel and remove the control panel (see the steps of "removing the front panel").
4. Lift the top of the outer trim ring then pull it out to remove it.
5. The two supplied keys release tabs inside the unit's sleeve so you can remove it. Insert the keys as far as they will go (with the notches facing up) into the appropriate slots at the middle left and right sides of the unit. Then slide the sleeve off the back of the unit.



INSTALLATION

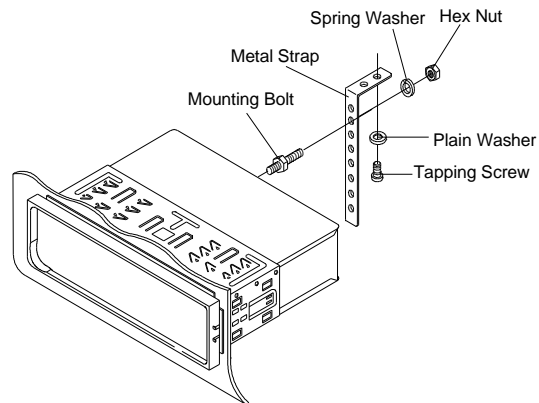
6. Mount the sleeve by inserting the sleeve into the opening of the dashboard and bend open the tabs located around the sleeve with a screwdriver. Not all tabs will be able to make contact, so examine which ones will be most effective. Bending open the appropriate tabs behind the dashboard to secure the sleeve in place.



7. Reconnect the wire harness and the antenna and be careful not to pinch any wires or cables.
8. Slide the unit into the sleeve until it locks into place.
9. To further secure the unit, use the supplied metal strap to secure the back of the unit in place. Use the supplied hardware (Hex Nut (M5mm) and Spring Washer) to attach one end of the strap to the mounting bolt on the back of the unit. If necessary, bend the metal strap to fit your vehicle's mounting area. Then use the supplied hardware (Tapping Screw (5x25mm) and Plain Washer) to attach the other end of metal strap to a solid metal part of the vehicle under the dashboard. This strap also helps ensure proper electrical grounding of the unit.

Note to install the short threading terminal of the mounting bolt to the back

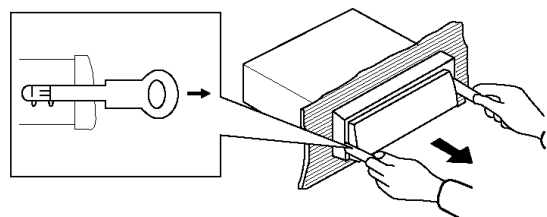
of the unit and the other long threading terminal to the dashboard.



10. Reconnect the cable to the vehicle battery's negative (-) terminal. Then replace the outer trim ring and install the unit's front panel (see the steps of "installing the front panel").

Removing the unit

1. Make sure the ignition is turned off, then disconnect the cable from the vehicle battery's negative (-) terminal.
2. Remove the metal strap attached the back of the unit (if attached).
3. Press the release button to remove the front panel.
4. Lift the top of the outer trim ring then pull it out to remove it.
5. Insert both of the supplied keys into the slots at the middle left and right sides of the unit, then pull the unit out of the dashboard.

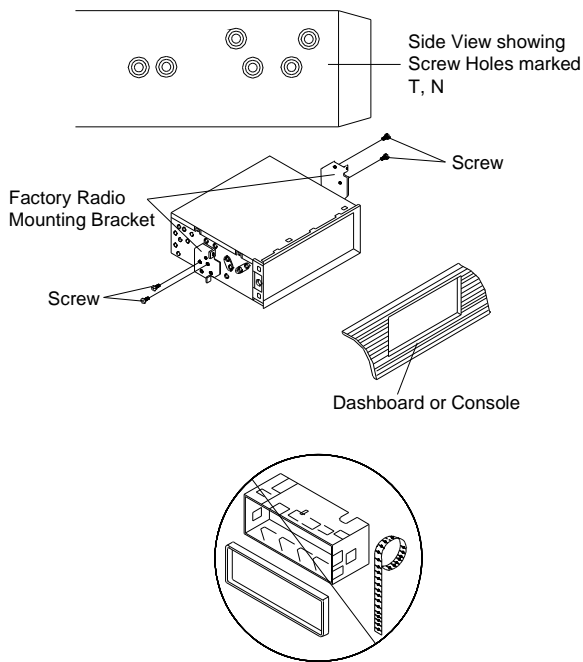


INSTALLATION

DIN REAR-MOUNT (Method B)

If your vehicle is a Nissan, Toyota, follow these mounting instructions.

Use the screw holes marked T (Toyota), N (Nissan) located on both sides of the unit to fasten the unit to the factory radio mounting brackets supplied with your vehicle.



To fasten the unit to the factory radio mounting brackets.

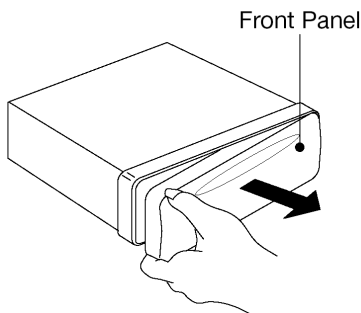
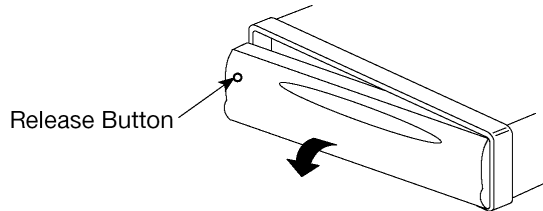
Align the screw holes on the bracket with the screw holes on the unit, and then tighten the screws (5x5mm) on each side.

Note: the outer trim ring, sleeve and the metal strap are not used for method B installation.

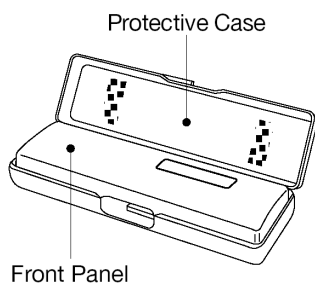
USING THE DETACHABLE FRONT PANEL

REMOVING THE FRONT PANEL

- A. Press the release button (▲) on the front panel and pull off the front panel.

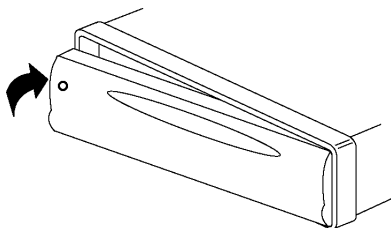


- B. Keep front panel into the case.



INSTALLING THE FRONT PANEL

To install the front panel, insert the panel into the housing and make sure the panel is properly installed. Otherwise, abnormality occurs on the display or some keys will not function properly.

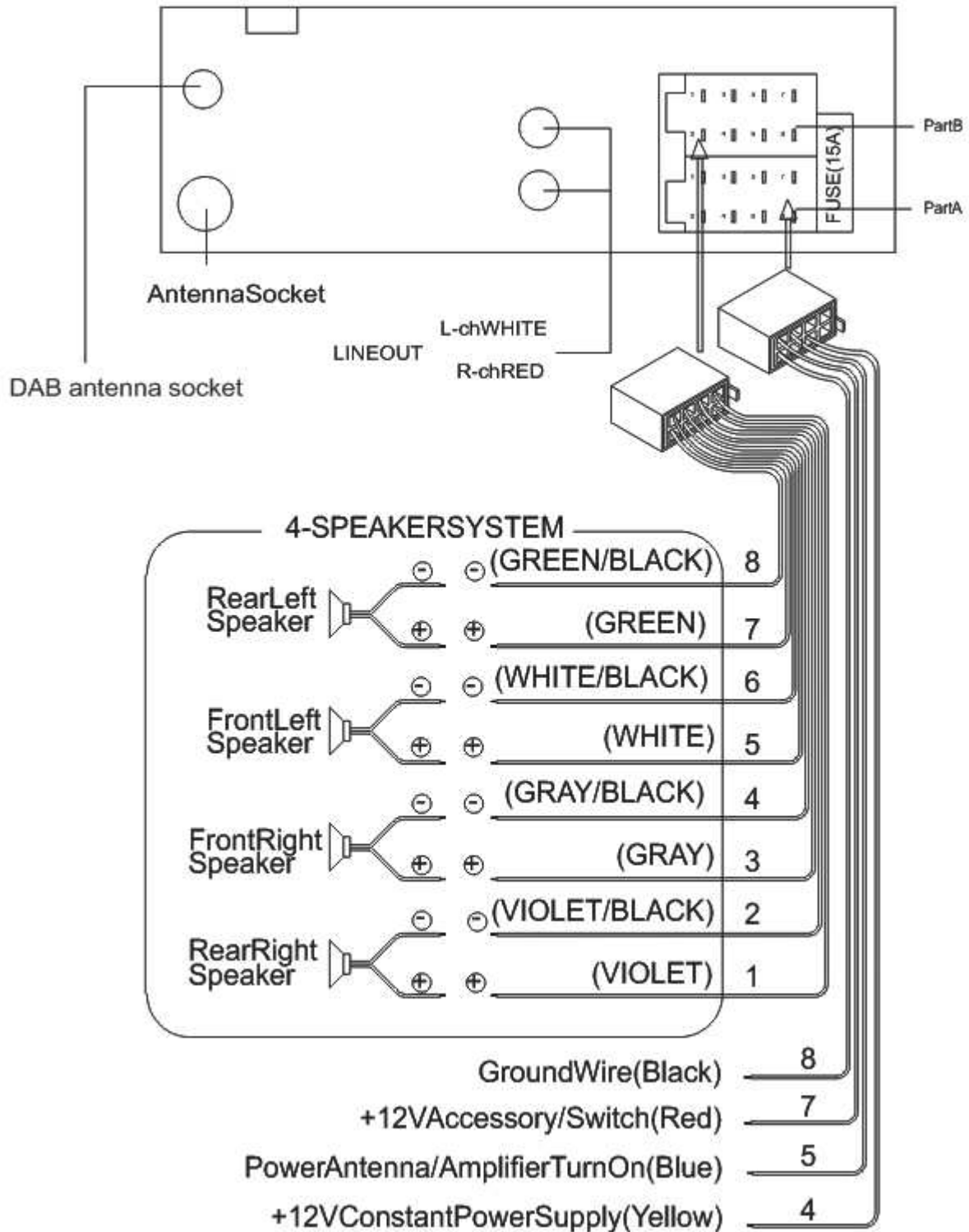


Precautions when handling

1. Do not drop the front panel.
2. Do not put pressure on the display or control buttons when removing or installing the front panel.
3. Do not touch the contacts on the front panel or on the main unit body. It may result in poor electrical contact.
4. If any dirt or foreign substances adhered on the contacts, they can be removed with a clean and dry cloth.
5. Do not expose the front panel to high temperatures or direct sunlight in anywhere.
6. Keep away any volatile agents (e.g. benzene, thinner, or insecticides) from touching the surface of the front panel
7. Do not attempt to disassemble the front panel.

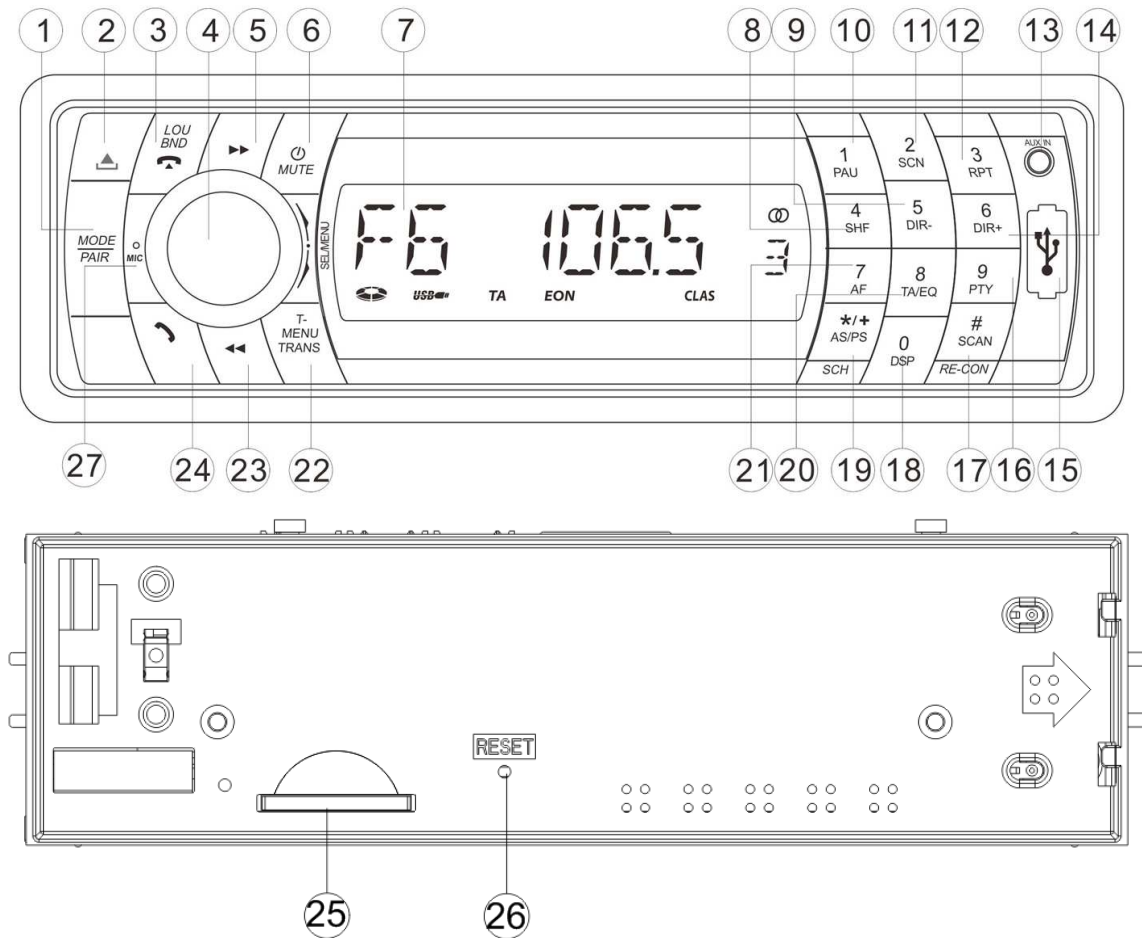
WIRING CONNECTION

ISO CONNECTION



OPERATION

LOCATION OF KEYS



- | | |
|-----------------------|-------------------|
| 1. MODE/PAIR | 15. USB interface |
| 2. (release button) | 16. 9/PTY |
| 3. (hang up)/LOU/BND | 17. #/SCAN |
| 4. SEL/MENU | 18. 0 DSP |
| 5. | 19. */+ AS/PS |
| 6. MUTE | 20. 8 TA/EQ |
| 7. LCD | 21. 7 AF |
| 8. 4/SHF | 22. T-MENU/TRANS |
| 9. 5 DIR- | 23. |
| 10. 1/PAU | 24. (pick up) |
| 11. 2 SCN | 25. SD |
| 12. 3 RPT | 26. Reset button |
| 13. AUX IN | 27. Mic |
| 14. 6 DIR+ | |

OPERATION

BASIC OPERATION

SWITCHING ON/OFF THE UNIT

Press any button to turn on the unit. When the unit is on, press and hold **⏻** button (6) to turn the unit off.

FACEPLATE RELEASE

Press **🔧** button (2) to detach the removable faceplate.

SOUND ADJUSTMENT

Shortly press **SEL** button (4) to enter AUDIO SETTING mode. The adjustment mode will change in the following order: Bass / Treble / Balance / Fader / VOL
In corresponding item rotating the volume knob (4) to adjust the sound quality.

LOUDNESS

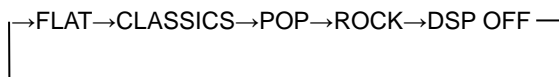
Long press **LOUD** button (3) to switch loudness function on, and "LOUD" will appear on the LCD for several seconds. Press it again to release this function.

DISPLAY

Press **DSP** button (18) to show some information like clock, frequency, PTY and so on.

EQUALIZATION

Shortly press **EQ** button (20) shortly to turn on equalization function and to select desired audio mode. There are five kinds of mode as below:



RESET FUNCTION

RESET button (25) must be activated with either a ballpoint pen or thin metal object.

The **RESET** button is to be activated for the following reasons:

- initial installation of the unit when all wiring is completed.

- All the function buttons do not operate.
- Error symbol on the display.

Note: if press **RESET** button (25), the unit can't work yet, please use a cotton swab soaked in isopropyl alcohol to clean the socket on the front panel.

MODE SELECTION

Shortly press **MODE** button (1) to change the mode among: Radio, USB, CARD and AUX.

SYSTEM SETTING

Press and hold **SEL** button (4) on the front panel to enter SYSTEM SETTING mode.

There are below items to adjust.

BEEP / P-VOL / AREA / HOUR 24H

Use **SEL** button (4) to select the item you want to change, and rotating the volume knob (4) to change the corresponding setting.

1) BEEP ON/OFF:

Beep on: There is a beep sound when buttons is pressed.

Beep off: There is no beep sound when buttons is pressed.

2) P-VOL

P-VOL: The max volume value when you turn on the unit. Such as when you set the P-VOL to 40(default value). If the volume value is small than 40 when you turn off the unit. Next time you turn on the unit. The volume will keep the last volume value. But if the volume value is high than 40 when you turn off the unit. Then next time you turn on the unit. The volume value will back to 40.

3) Area Europe/USA:

This item allows you to select the area to EUROPE or USA. Then the radio frequency will change to Europe frequency or USA automatically.

OPERATION

4) HOUR 24/12

You can select time format to 12 hour or 24 hour format. (In AREA item. When you change the area to the EUR. The time format will be changed to 24 HOUR format automatically. When you change the area to the USA. The time format will be change to 12 HOUR format automatically.)

AUXILIARY INPUT

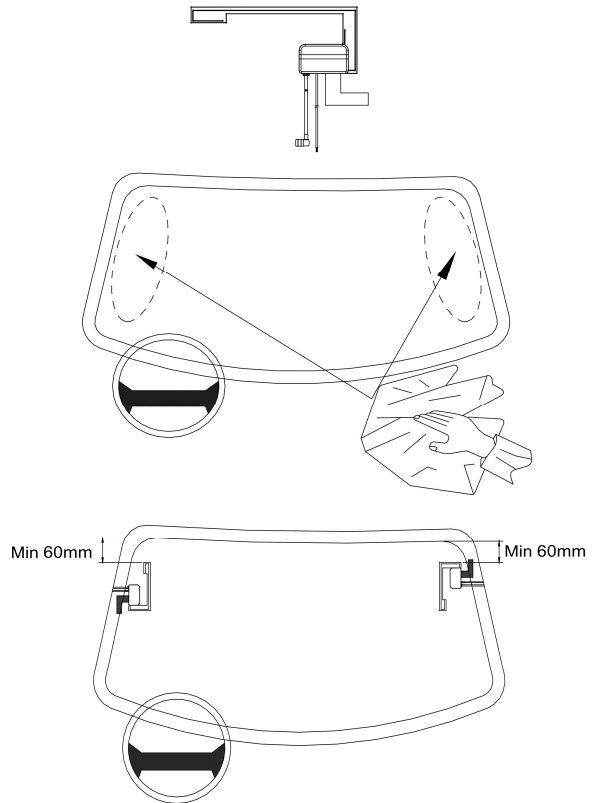
A portable audio player can be connected to the unit through the **AUX IN** jack (13) on the front panel. After finishing the connection, Press **MODE** button (1) to switch the mode to AUX IN mode.

DAB OPERATION

- 1) Press AS/PS button for DAB full scan. If there isn't any station, Scroll display "NO STATION FOUND".
- 2) Press **▶▶** / **◀◀** buttons (5/23) button to change the stations.
Shortly press M1-M6(10/11/12/8/9/14) button to read M1-M6 station.
If Read Empty Preset, Display "NO SAVED"
- 3) Press and hold M1-M6(10/11/12/8/9/14) button to memory the current station to the M1-M6 station.
- 4) Press DSP(18) to show the information (This is rotate below sequence)
Station name -> Ensemble name ->
Current Frequency -> Current PTY ->
DLS Message -> CLOCK -> Signal Strength -> Signal Quality -> Station name
- 5) List Search mode
Press PTY button to List Search Enter/Exit. In list search mode rotating the Volume UP/DOWN(4) to list UP/DOWN. Press SEL button to select Current List Station.
* In this mode LCD display blinking

DAB ANTENNA INSTALLATION

Put the antenna on the left or right of windows. The minimum installation height is 60mm from the windows top.



RADIO OPERATION

SELECTING THE FREQUENCY BAND

In radio mode, press **BAND** button (3) to select the desired band.

The reception band will change in the following order:

→ FM1→FM2→FM3→ MW

SELECTING A STATION

Shortly press **▶▶** / **◀◀** buttons (5/23) to activate automatic seek function. It will search up/down a station automatically. Press for 2 seconds until "MANUAL....." appears on the display, the manual tuning mode is selected. In this mode you can turn up/down a step frequency one by one till to search a station. If both buttons have not been pressed for several seconds, they will return to seek tuning mode and

OPERATION

“AUTO.....” appears on the display for 1 second.

AUTOMATIC MEMORY STORING & PROGRAM SCANNING

- Automatic memory storing
Press **AS/PS** button (19) for 2 seconds “SEARCH” will appear on LCD. the radio will search from the current frequency and checks the signal strength until one cycle search is finished. And then 6 strongest stations are stored into the corresponding preset number button.
- Program scanning
Press **AS/PS** button (19) shortly to scan preset station. And the corresponding station number P1~P6 will flash on LCD.

STATION STORING

Searched a station first. Then press preset button (1-6) for 2 seconds (until 2'nd beeps come out), current station is stored into the number button.

• RDS (RADIO DATA SYSTEM) OPERATION

- Setting RDS mode
Press **AF** button (21) and release immediately to switch on or off AF function.
Whenever RDS is switch on, symbol “**AF**” appears on the display.
Program name is displayed on receiving a RDS station.
“**AF**” starts blinking if the broadcasting signal getting worse.
“**ALARM**” will be displayed when an emergency broadcasting is received, meanwhile sound output level will be adjusted to the preset output level automatically when the volume control is small than TA VOL value.

• Using **PTY** to Select Program

- 1) Press **PTY** button (16). Then press preset button (1-6) repeatedly. You can select below programs:
button 1: AFFAIRS / INFO / SPORT / EDUCATE / NEWS
button 2: ROCK M / EASY M / LIGHT M / CLASSICS / OTHER M
button 3: ROCK M / EASY M / LIGHT M / CLASSICS / OTHER M
button 4: WEATHER / FINANCE / CHILDREN / SOCIAL / RELIGION
button 5: PHONE IN / TRAVEL / LEISURE / JAZZ / COUNTRY
button 6: NATION M / OLDIES / FOLK M / DOCUMENT / TEST / ALARM.
(Press **PTY** button (16). Then rotating the volume knob (4). You also can select the programs above.)
Then press **▶▶/◀◀** buttons (5/23) to begin search the corresponding program.
- 1) Press and hold **PTY** button (16) for 2 seconds will enter RDS MENU, in the menu, Shortly press **PTY** button (16) will show below items:
TA---PI---RETURN---MASK---EONTA
---TAVOL---REG
In each item above rotating knob (4) to select corresponding setting desired.
TA: SEEK/ALARM
a) TA SEEK mode:
When newly tuned station does not receive TP information for 5 seconds, the radio retunes to next station which has not the same station (PI) as the last station, but has the TP information.
When TP information gets lost at the current station for retune time which is set by RETUNE SHORT or RETUNE LONG, the radio start to retune to next same PI station.
When PI station does not catch in

OPERATION

one cyclic search, the radio retunes to next station with TP information.

Note: In TA SEEK mode, the current station can be changed to the completely different station because the unit searches TP station when the field (signal) strength of the current station is very weak, or the current station has no "TP" signal. (The higher priority is TP rather than PI.)

b) TA ALARM mode

When this mode is selected, any automatic retune mode is not activated. Only double beep sound (ALARM) is output. So, in this mode, the unit keeps the current station anyhow. (The PI priority is higher than TP.)

When newly tuned station doesn't have TP information for 5 seconds, beeps come out. When TP information gets lost at the current station for retune time, the beep sound is output.

When newly tuned station has not RDS signal, "PI SEEK" is suppressed somewhat.

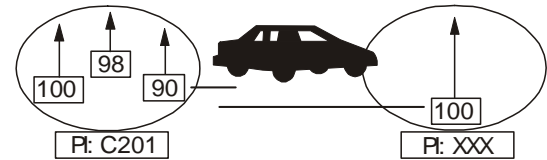
PI: SOUND/MUTE:

While AF switching is implemented in C201 station, AF can switch to 100 MHz, which is non genuine AF (where, different PI with same AF) in short "DIP".

If a car cruises that critical area back and forth, an oscillation phenomenon can be occurred, because the different PI code can be received from 100 MHz with "XXX" PI.

The car radio has special procedure to reduce even this kind of unavoidable situation however there is a limit to be escaped from this serious case perfectly.

In that serious case, 2 mode is selectable as follows:



- **PI SOUND mode:**

When above different PI sound (DIP) is heard once in a while, the DIP's sound will be heard for a short time.

- 1) **PI MUTE mode:**

Under above same situation, a mute sound will be heard for a short time.

RETUNE: LONG/SHORT

When PI information gets lost at the current station for retune time which is set by RETUNE SHORT (30 sec.) or RETUNE LONG (90 sec.), the radio start to retune to next same PI station.

MASK: DPI/ALL

MASK DPI mode: masked only the AF which has Different PI (DPI).

MASK ALL mode: masked the AF which has Different PI and NO RDS signal with high field strength.

EON TA DX/LO (DISTANCE/LOCAL)

The purpose of this key is to reduce unwanted EON TA switching, which EON TA information was received from current station and the radio switched to that EON linked station, but no information could not be received because the EON linked station is located too far from that area. So the radio is switched back to current station again. In above operation, a customer listens to a wrong program or mute sound for a while.

EON TA LOCAL mode

OPERATION

When the filed strength level of EON linked is less than threshold level, the radio does not switch that station, and a customer can hardly listen to any disturbances.

When EON TA LOCAL mode is selected, "EON TA LO" on numeric display is indicated for a few seconds.

EON TA DISTANCE mode

EON TA switch is tried to implemented by the information of current station.

When EON TA DISTANCE mode is selected, "EON TA DX" on numeric display is indicated for a few seconds.

TA-VOLUME: Volume 30 (the default TA volume value is 30). You can set it to another value. When a Traffic Announcement is received. If the main volume is small than the TA VOL value. It will turn up the main volume to the TA VOL value.

REG: OFF/ON

REGION ON mode: AF switching or PI SEEK is implemented to the station which have all PI codes are the same as current station.

REGION OFF mode: The regional code in the format of PI code is ignored when AF switching or PI SEEK is implemented.

- Listening to Traffic Announcement

When **TA** mode is on and a traffic announcement is transmitted:

When the unit was in USB/SD mode or AUX IN mode, it will switch temporarily to radio mode.

Temporary switch over to an EON linked station when EON detects a traffic announcement on that other program.

If the volume level was under the threshold point it will be raised to the threshold point. But the user changed the volume level, which was more than the threshold point (min. **TA** volume

level), it will be set to the last level.

When **TA** mode is on, **TA** of individual segment is turned on.

When a TP station is received, TP of individual segment is turned on.

TA interruption function

The current traffic announcement is cancelled by pressing this key.

But the **TA** mode will not be off.

The RDS data used are the PI, PS, AF, TP, TA, EON and PTY data.

PI: Program Identification code
Code for identifying programs

PS: Program Service Name
Broadcast station name data expressed in alphanumerically characters

AF: Alternative Frequencies
Frequency list of broadcasting stations transmitting the same program

TP: Traffic Program Identification
Identification data for traffic information-broadcasting station

TA: Traffic Announcement Identification
Identification data showing traffic information is being transmitted or not.

EON: Enhanced Other Networks Information
Broadcasting information on PI, AF, TP, TA, etc, relating to networks other than the network used for current reception

PTY: Program Type Code
Contents of programs such as news, light music, sports etc.

USB PLAY OPERATION SWITCH TO USB MODE

In the front panel of the unit, there is an

OPERATION

USB interface (15). You can connect an USB driver through this interface (15).

When you connect an USB driver through the interface, the unit will search the MP3 files or WMA files and start to play automatically.

If in other mode, you can also press **MODE** button (1) to select USB mode.

SELECTING TRACKS

Press **▶▶/◀◀** (5/23) will skip to the previous/next file. File number will be showed on display.

Press and hold **▶▶/◀◀** (5/23) will fast reverse/forward. File play starts when you release the button.

PAUSING PLAYING

Press **PAU** button (10) to pause, and "Pause" will appear on LCD. Press it again to resume play.

PREVIEWING ALL TRACKS

Press **SCN** button (11) to play first several seconds of each file, and "INT" will appear on LCD. Press again to stop scan and listen to file, "INT" will disappear.

Press and hold **SCN** button (11) will play first several seconds of each file in the current folder, and "D-INT" will appear, press it again will exit this mode.

REPEATING THE SAME TRACK

Press **RPT** button (12) to continuously repeat the same file. and "S-RPT" will appear on LCD. Press it again to stop repeat, and "S-RPT" will disappear.

Press and hold **RPT** button (12) will repeat all the files in the current folder. And "D-RPT" will appear on LCD. Press it again will exit this mode.

PLAYING ALL TRACKS IN RANDOM

Press **SHF** button (8) to play all files in random order, and "S-RDM" will appear on LCD. Press again to cancel the function,

and "S-RDM" will disappear.

Press and hold **SHF** button (8) for 2 seconds will play all files (in the current folder) in random order. And "D-RDM" will appear on LCD. Press it again will exit this mode.

SELECTING DIRECTORY UP/DOWN

Press **DIR-** button (9) or **DIR+** button (14) to select directory downward or upward. If the USB driver does not contain any directory, there is no function of pressing **DIR-** button (9) or **DIR+** button (14).

SELECTING TRACKS

- Searching Track Directly

Press **AS/PS (SCH)** button (19) for one time. It enters into "Searching track directly" mode.

The unit searches the track selected by following direct numeric buttons:

M1-M6, 7/AF, 8/TA/EQ, 9/PTY, 0/DSP.

Maybe you can rotating the button (4) to select the numbers.

If selected three digits, the unit searches the tract at once. If selected one or two digits, the unit wait for **BND/LOU** or **SEL** button for seconds. The unit searches the track after few seconds, even if the enter button is not pressed.

- Searching Directory or File Name

Press **AS/PS (SCH)** button (19) for two times. It enters into "Searching Directory or File Name" mode.

The unit searches files and directories that have the same character which is inputted by the user pressing the corresponding buttons listed on the below.

OPERATION

AS/PS	Mode Select
BND/LOU	ENTER
M1	A, B, C, 1
M2	D, E, F, 2
M3	G, H, I, 3
M4	J, K, L, 4
M5	M, N, O, 5/Directory DOWN
M6	P, Q, R, 6/Directory UP
MOD	S, T, U, 7
TUNE/SEEK/TRACK DOWN	V, W, X, 8
TUNE/SEEK/TRACK UP	Y, Z, SPACE, 9
PUSH SEL	CHARACTER SHIFT RIGHT
DSP	_, -, +, 0
AUDIO KNOB	CHARACTER SELECT (A, B~8,9,0, _, -, +,)

Explain as follows:

2) Use the corresponding buttons Or you can using button (4) to select the characters A to Z, blank, 0 to 9, _, -, +.

3) Press **SEL** button (4) to confirm entry of each characters.

4) Press **BND/LOU** button (3) to start the title search.

In case the selected title is a directory name, display will show (' '), then use the buttons (4) to list all songs under this directory and select the title.

5) Press **BND/LOU** or **SEL** button to confirm and start the play.

6) Repeat the above steps if the newly selected title is again a directory.

- **Searching From Root Directory**
Press **AS/PS (SCH)** button (19) for three times. The unit searches file or directory from root by button (4). Display will list all available directories and

songs. Select the desired directory/songs by using buttons (4) and **BND/LOU** or **SEL** button to confirm. If the selected title is a song, it starts to play. If the selected title is a directory name, display will show (' '), then 7) Use the buttons (4) to list all songs under this directory and select the title. 8) Press **BND/LOU** or **SEL** button to confirm and start the play. 9) Repeat the above steps if the newly selected title is again a directory.

- Searching FILE From Current Directory

Press **AS/PS (SCH)** button for four times. The unit searches file or directory from current directory by button (4). The currently playing file name is displayed. User can select the file by button (4). After selected a file. Pressing **BND/LOU** or **SEL** button to play. If you would like to listen to a song which is in different directory. Please select (' ') and press SEL button. Then you can select desired directory and press SEL button to enter it. After selected a song then press **BND/LOU** or **SEL** button to play.

DISPLAY ID3 INFORMATION

Press **DSP** button (18) to show the ID3 TAG (title, artist and album).

SUPPORT MP3/WMA DECODING MODE

The main unit supports MP3/WMA (Windows Media Audio) decoding modes as below.

Standard	Bit Rate (kbps)	Supports Mode
MPEG1 Audio Layer 3 (44.1kHz)	32,48,64,96, 128,192,256, 320	Stereo
Windows Media Audio (44.1kHz)	64,96,128,192	Stereo

OPERATION

The USB solution can support:

1. Folder: 500 max.
2. File: 999 max.
3. Depth of folder: 8 layers
4. Size: 2 GB

Note:

- The main unit can only support the standard USB-memory disc which is approved by Microsoft.
- USB MP3 player is not a standard which means different brand name or different models have their own standard. So our product cannot support every MP3 player.
- When connecting an MP3 player and there has normal battery in the player (non rechargeable battery), you should remove the battery from the MP3 player then connect it to the USB interface. Otherwise, it may cause battery burst.

SD OPERATION (OPTIONAL)

The unit has a SD interface (on the housing of the unit).

When you insert a SD card in the SD interface, the unit will search the MP3/WMA files and start to play automatically. The operation is the same with the MP3 operation described above. If in other mode, you can also press **MODE** button (1) to elect SD mode.

CAUTION

When there are important files in the USB device/SD card or disc. Do not connect it to the main unit to play. Because any wrong operation may cause files loss. And our company assumes no responsibility for this.

BLUETOOTH OPERATION

• PREPAIR FOR BLUETOOTH OPERATION

(i) When use Bluetooth, please make sure the mobile phone supports Bluetooth function.

(ii) For the different kind of mobile phone, Bluetooth emissive power has some difference. To get the best conversation quality, it is commended that the distance between the mobile phone and the unit is within 3m. And

please don't put any metal object or any obstacle between the path of the mobile phone and the unit.

• PAIRING

1) In any mode, press and hold **PAIR(MODE)** button (1) on the front panel, "PAIRING" will appear on the LCD.

2) On the mobile phone, select the

3) Bluetooth set up. (Please refer to the instruction manual of your mobile phone on how to operate Bluetooth.)

4) "CARBT" should appear in the list on your mobile phone, please select "CARBT" and then input password "0000".

5) When successful paired, "CONN OK!" will be displayed on LCD.

6) When pairing failed, "PAIR END" will


be displayed on LCD. You can press and hold PAIR button (1) to try the pairing again.


7) Note:

OPERATION

During Pairing, MODE key will no functional during pairing mode. When pairing, you can press **PAIR** button (1) to terminate the pairing.

- **CONNECT**

This unit is built-in auto-reconnection function. Every time when you short press  button (24), the unit will auto reconnect with the mobile phone (note: the mobile phone must have been paired with the unit before.).


- 1) If the mobile phone is out of range, the connection will be lost, when you come back to the unit, reconnection is necessary.
- 2) When the mobile phone is out of range from the unit, and there is an incoming call, when you come back to the unit, and you want to transfer the audio to the unit, you need to reconnection.
- 3) When you press  button (2) to release the front panel, the connection will be break off. When you install the front panel, you need to reconnection.
- 4) If you turn off the mobile phone that has paired with the unit, when you turn on the mobile phone, you need to reconnection.

- **T-MENU**

When successful paired, shortly press **T-MENU** button (22) on the front panel will enter the telephone menu, keep pressing this button or press **▶▶/◀◀** button (5/23) to change the items in this menu. The items will be displayed in the following sequence: PRE NUM/ RECELVED / DIALED / MISSED / PHONE BK / MANU ANS / TALK.

The details please see the following instruction.

- 10) RRE NUM: You can save 10 phone-call to the phonebook 1. In PRE NUM mode, rotating button (4) to select the NUMBER. Then press SEL button, and enter the phone number. Then press SEL button again to save it to phonebook 1.


If you want to delete a number from phonebook 1. After Selected the number then press and hold BND/LOU/  key for 2 seconds. The number will be deleted.

- 2) RECELVED: Display the last call you have received (memory 10 numbers).
- 3) DIALED: Display the last dialed number (memory 10 numbers).
- 4) MISSED: Display the call you have missed (memory 10 numbers).

5) PHONE BK: You can copy 20 phone

numbers from mobile to the phone book 2 of the unit via Bluetooth transmitted.

The way is: In mobile phone --> enter phonebook --> more --> send via Bluetooth --> select number --> send.



If you want to delete a number from phonebook 2. After Selected the number then press and hold BND/LOU/  key for 2 seconds. The number will be deleted.

5) MANU ANS (manual answer):

You can set Answer mode to manual answer (MANU ANS) mode or Auto . In auto answer mode, when a call coming the Phone Number will appear on LCD. The unit will answer

OPERATION

the call automatically.

In **MANU ANS** mode, when a call coming, the Phone Number will appear on LCD. you can press  button (24) to answer the call, or press  button (3) to reject the incoming call.



7) TALK (00~20):

You can setting the bluetooth volume in TALK 00 item. If it is 00, When there is a call coming. the main volume will set to 60 automatically. If you set TALK to 20. The main volume will set to 100 automatically when a call is coming.

Example:

TALK volume		MAIN volume
00	=	60
01	=	62
02	=	64
.....		
20	=	100

- **MAKING AN OUTGOING CALL**

- 1) Making an outgoing call from SPEED DIAL, RECEIVED LIST, DIALED LIST, MISSED LIST, PHONE BOOK(Mobile Phone) and PHONE BOOK(SIM Card) please refer to the **T-MENU** section.
- 2) Making an outgoing call by inputting the phone number manually. Press  button (24) on the front panel "CALL_" will appear on LCD. Use 0~9, *, # buttons to enter the phone number you want to dial. (Note: shortly press *
- 3) button will input "*" character, press and hold it will input "+" character).
- 4) Then press  button (24) again will call the number.


Note: if you input the wrong number, shortly press **CLR** button will clear it. Press and hold **CLR** button will clear all numeric.

- **TRANSFER THE CALL BETWEEN MOBILE PHONE AND THE UNIT**

During the talking mode, you can press and hold **TRANSFER (T-MENU)** button (22) to transfer the phone call between the mobile phone and the unit.

Note:

- 1) If you transfer the call to mobile phone, the mute of the present mode will be released at the same time.
- 2) When making an outgoing call, it's not possible to transfer if the call is not being answered yet.



- **BT reset:** : In BT AUDIO mode. Press and hold BND/LOU/  key for several seconds. Some of the bluetooth information and phone numbers will be lost.

- **BLUETOOTH AUDIO (A2DP FUNCITON)**

The unit supports Bluetooth audio function. If your mobile phone can play stereo audio, when the paring is ok, you can choose the unit you have paired to play the stereo music.

M1, M2, button on the front panel of the unit serves as PAUSE/PLAY and STOP control button. (It is up to the mobile phone, the different mobile

phone has the different define.)

Use /  button (5/23) on the front panel of the unit to choose the previous/next track. (It is up to the mobile phone, the different mobile phone has the different define.)

SPECIFICATION

GENERAL

Power Supply Requirements	: DC 12 Volts, Negative Ground
Chassis Dimensions	: 178 (W) x 160 (D) x 50 (H)
Tone Controls	
- Bass (at 100 Hz)	: ± 10 dB
- Treble (at 10 kHz)	: ± 10 dB
Maximum Output Power	: 4x40watts
Current Drain	: 15 Ampere (max.)

RADIO

FM

Frequency Coverage	87.5~108 MHz
IF	10.7 MHz
Sensitivity (S/N=30dB)	4 μ V
Stereo Separation	>25dB

MW

Frequency Coverage	522~1620 KHz
IF	450 KHz
Sensitivity (S/N=20dB)	36dBuV

DAB

Frequency Coverage	174.928~239.200 MHz
Sensitivity (S/N=20dB)	≥ -100 dBuV
Preset stations	18

TROUBLE SHOOTING

Before going through the checklist, check wiring connection. If any of the problems persist after checklist has been made, consult your nearest service dealer.

Symptom	Cause	Solution
No power.	The car ignition switch is not on.	If the power supply is connected to the car accessory circuits, but the engine is not moving, switch the ignition key to "ACC".
	The fuse is blown.	Replace the fuse.
	Temperature inside the car is too high.	Cool off or until the ambient temperature return to normal.
	Condensation.	Leave the player off for an hour or so, then try again.
No sound.	Volume is in minimum	Adjust volume to a desired level.
	Wiring is not properly connected.	Check wiring connection.
Sound skips.	The installation angle is more than 30 degree.	Adjust the installation angle less than 30 degree.
The operation keys do not work.	The built-in microcomputer is not operating properly due to noise.	Press the RESET button. Front panel is not properly fix into its place.
The radio does not Work. The radio station automatic selection does not work.	The antenna cable is not connected.	Insert the antenna cable firmly.
	The signals are too weak.	Select a station manually.

DENVER®

www.denver-electronics.com



Electric and electronic equipment contains materials, components and substances that can be hazardous to your health and the environment, if the waste material (discarded electric and electronic equipment) is not handled correctly.

Electric and electronic equipment is marked with the crossed out trash can symbol, seen below. This symbol signifies that electric and electronic equipment should not be disposed of with other household waste, but should be disposed of separately.

All cities have established collection points, where electric and electronic equipment can either be submitted free of charge at recycling stations and other collection sites, or be collected from the households. Additional information is available at the technical department of your city.

Imported by:

DENVER ELECTRONICS A/S

Stavneagervej 22

DK-8250 Egaa

Denmark

www.facebook.com/denverelectronics