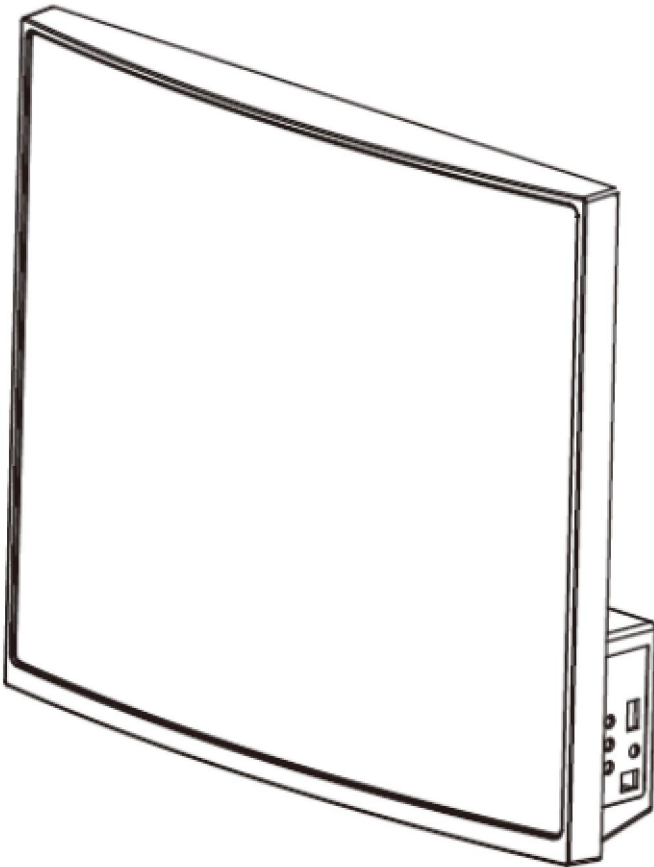


DENVER[®]

BTS-650

2.1CH SPEAKER WITH BLUETOOTH RECEIVER



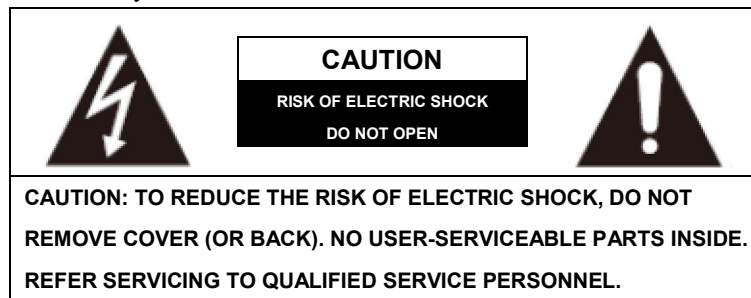
PLEASE READ BEFORE OPERATING THIS EQUIPMENT.

INSTRUCTION MANUAL

www.facebook.com/denverelectronics

Warnings

This product was designed and manufactured to meet strict quality and safety standards. There are, however, some operation precautions that you should be aware of:



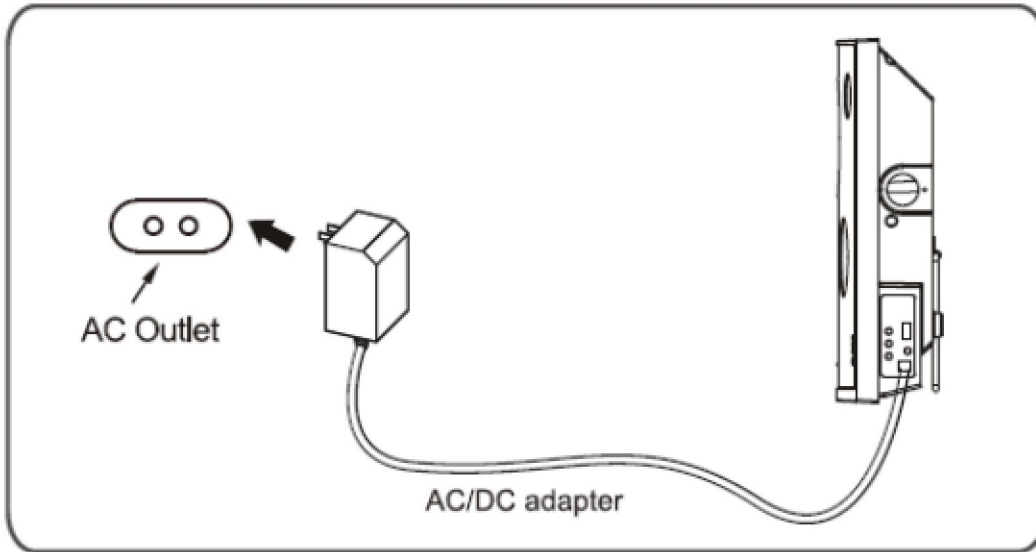
- Read all warnings. Follow all instructions.
- Check the mains voltage stated on the mains adaptor rating plate corresponds to the local electricity supply, if it doesn't, return the product to the store where you bought it.
- Unwind and straighten the adaptor cord before use.
- Place the product on a firm and level surface. Allow space around the product to ensure enough ventilation.
- Clean only with a dry cloth, unplug the outlet before cleaning. Do not use aggressive cleaners as these will damage the surface.
- To completely disconnect this product from the mains, disconnect the plug from the wall socket outlet. The mains plug is used to completely interrupt the power supply to the unit and must be easily operable by the user.
- Remove the adaptor from the outlet, when the product is unused for a long period of time and during thunder storms.
- Only use attachments/accessories specified by the manufacturers.
- Do not locate the appliance or the batteries in the vicinity of a heat source or in direct sunlight. Do not place a naked flame source on or near this product.

Warnings

- Do not attempt to open the cabinet or remove any covers. If the power adapter or its lead becomes damaged, it must be replaced with an adapter of the same type and rating.
- Repairs must only be performed by the manufacturer or its service agent or similarly qualified person.
- Do not immerse the main unit, the power adapter or any accessories in water or any other liquid.
- Do not expose this product to dripping or splashing or stand any vessel containing liquid on or near this product.
- Replace batteries with the same or equivalent type.
- Do not cover the product or this will impede ventilation.

POWER SOURCE

Insert the small plug from the supplied AC/DC adapter to the DC in jack on the unit. Insert the AC/DC adapter to DC in jack on the unit.

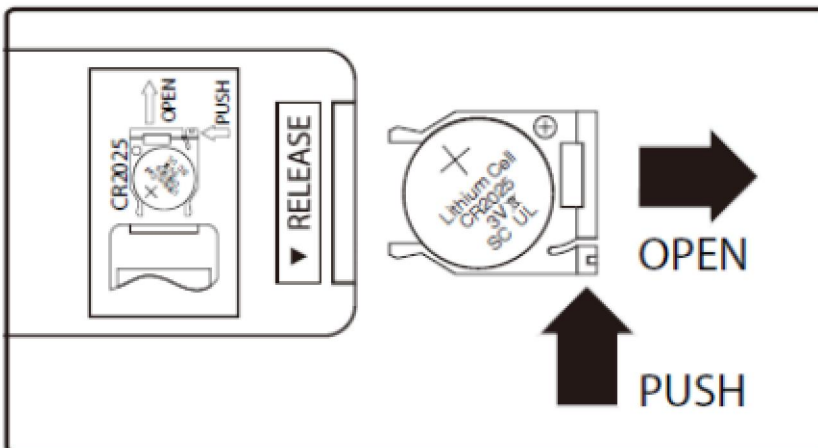


	AC Outlet
	AC/DC adapter

BATTERIES INSTALLATION (REMOTE CONTROL)

To replace the button cell:

1. Push the tab, then slide out the battery tray as the figure on the right.
2. Replace the old button cell by a new CR 2025 button cell as the polarity markings on the remote control.
3. Close the battery tray.



	OPEN
	PUSH
	RELEASE
	Lithium Cell

BATTERY PRECAUTIONS:

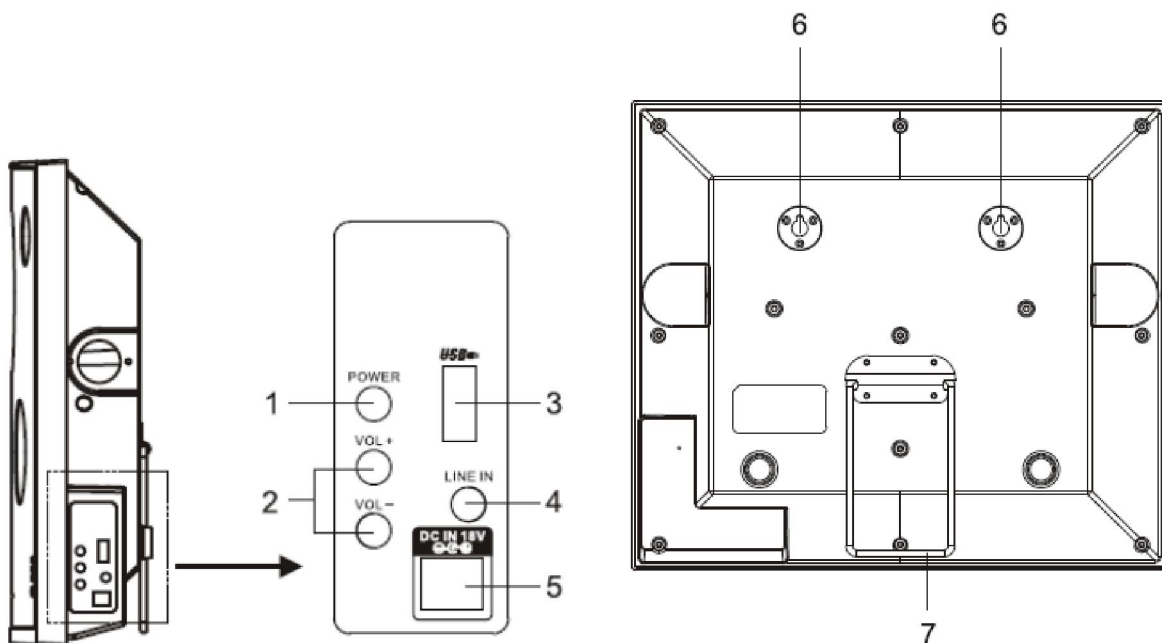
Follow the size and type of battery specified.

1. Use only the size and type of battery specified.
2. Be sure the follow the correct polarity when installing the battery as indicated in the battery compartment.
A reversed battery may cause damage to the device.
3. If the battery in the device is consumed or the device is not to be used for a long period of time, remove the batteries to prevent damage or injury from possible battery leakage.
4. Do not try to recharge the battery not intended to be recharged; it can overheat and rupture.
5. The batteries shall not be exposed to excessive heat such as sunshine, fire or the like.
6. Clean the battery contacts and also those of the device prior the battery installation.
7. Do not mix different types of batteries together (e.g. Alkaline and Carbon-zine) or old batteries with fresh ones.

LED INDICATORS

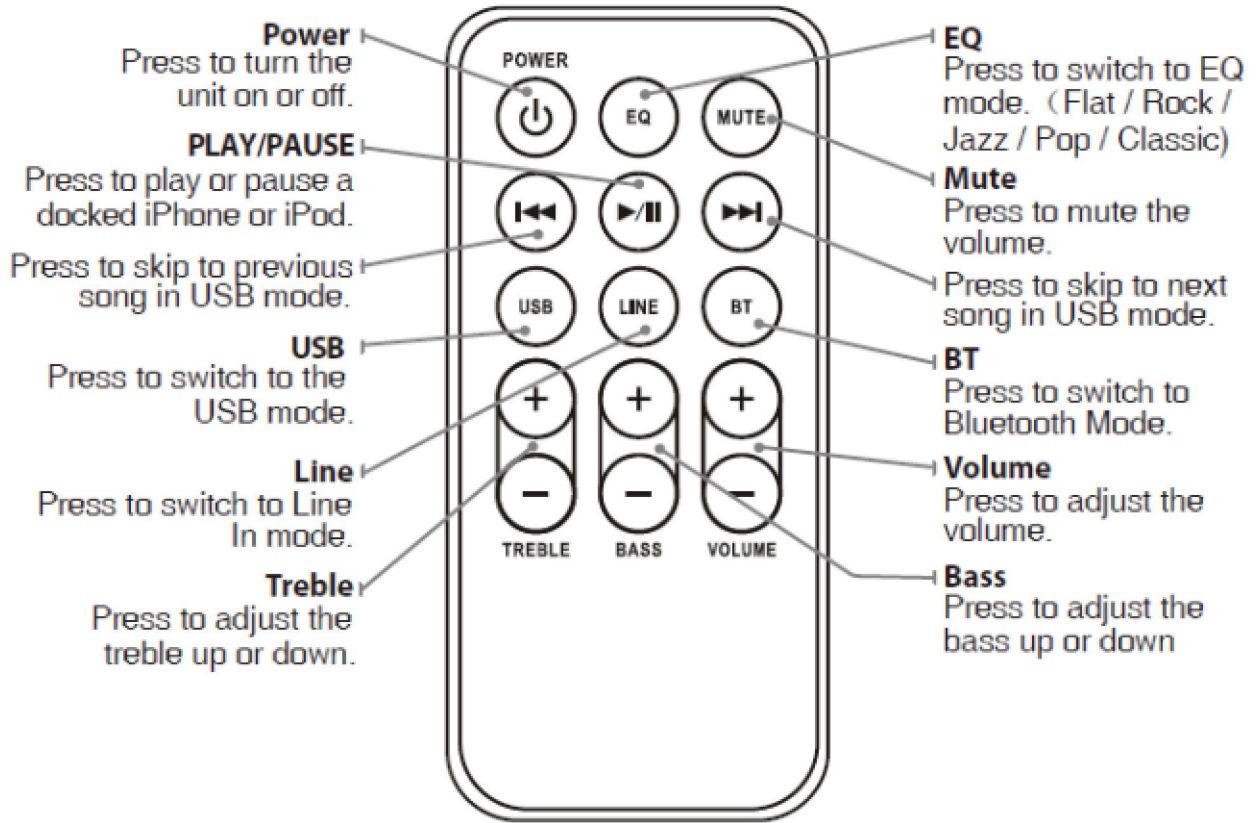
Status	Indicator
Power Off	Red Light
USB Mode	Green Light
Line In Mode	Orange Light
Bluetooth Ready	Flashing Blue Light
Bluetooth Connected	Blue Light

LOCATION OF CONTROLS



1. Power button
2. Volume + /volume - button

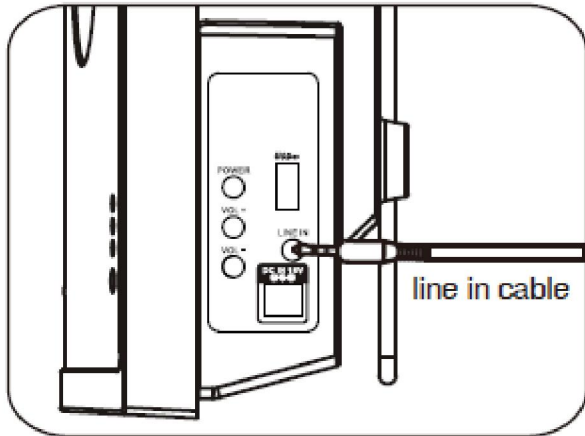
- 3. USB/MP3: input connecting port
- 4. Line in input
- 5. DC jack in
- 6. Wall mounting position
- 7. Desk - top placement



	Power Press to turn the unit on or off.
	PLAY/PAUSE Press to play or pause a docked iPhone or iPod. Press to skip to previous song in USB mode.
	USB Press to switch to the USB mode.
	Line Press to switch to Line In mode.
	Treble Press to adjust the treble up or down.
	EQ Press to switch to EQ mode. (Flat/Rock/Jazz/Pop/Classic)
	Mute Press to mute the volume. Press to skip to next song in USB mode.
	BT Press to switch to Bluetooth Mode.
	Volume

	Press to adjust the volume.
	Bass Press to adjust the bass up or down

LISTENING FROM LINE IN JACKS:



	line in cable
--	---------------

1. Connect the Headphone/Earphone; Line out jacks from the external audio player such like MP3 player; Discman ... etc) to the LINE IN jacks on the size of Speaker by the supplied Line In connection cable as the figure.
2. Connect the Sound Bar to the power as previous procedures.
3. Press the POWER button on the Speaker or Remote Control to power on the Speaker.
4. Press the LINE button on the Remote Control to turn to LINE mode.
5. Power on the connected external player and start playback as usual.

BT PAIRING AND PLAYBACK:

1. Power on the Sound Bar as previous procedures.
2. Press the BT (Bluetooth) button on the Remote Control to turn to BT mode.
3. Turn on the BT function in the external BT player and wait a few seconds until the external BT player and the speaker were paired. Please be sure the distance between both devices within 1 meter when pairing. Play the music in the external BT Player as usual.

NOTES:

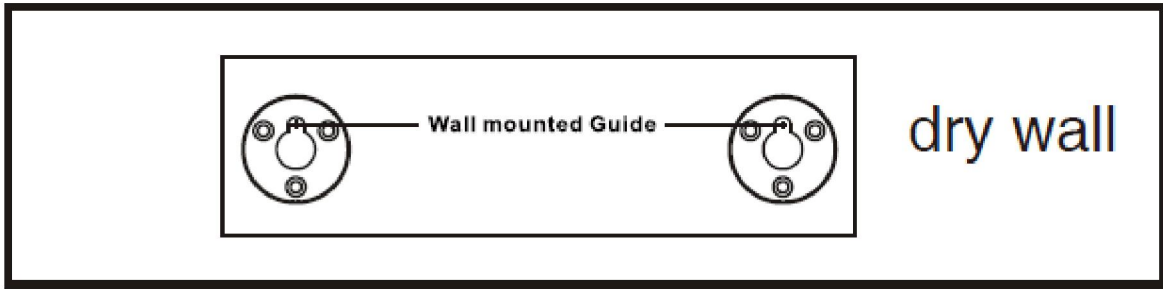
In first time use, connect the external BT Player as below:

1. Turn the Sound Bar to BT mode as previous procedures, the BT indicator will turn on and blink.
2. Power on the external BT player and enter to BT searching mode. Start pairing as the screen instructions on the external BT Player (For details pairing procedures, please refer to the user's manual of your BT player.).
3. When the external BT player searched the Sound Bar, our model number "BTS-650" will appear on the display of external BT player.
4. Pairing code "0000" may need to enter.

Mounting on the dry wall/wooden wall

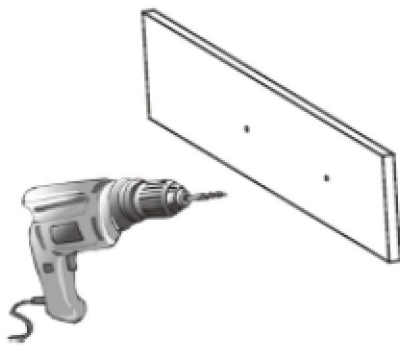
1. Mounting on the dry wall

1.1 To determine the screw hole position, please stick attached "wall mounted guide" in parallel to the wooden wall where you need to hand the speaker.

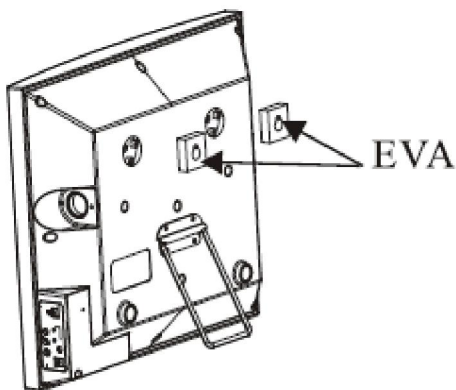


	Wall mounted Guide
	Dry wall

1.2 Drill the holes on "wall mounted guide" "+" place with diameter of 8 mm by a powerful electric drill.

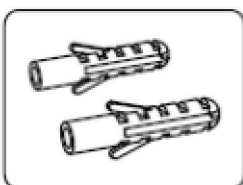


1.3 Stick EVA spacers separately on the screw holes.



	EVA
--	-----

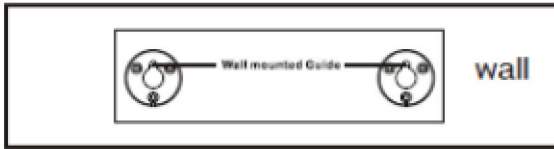
1.4 Use a hammer separately nailing 2 plastic tubes into the holes.



1.5 Fix the screws into the plastic tubes, then the sound bar can be hung on the wall.

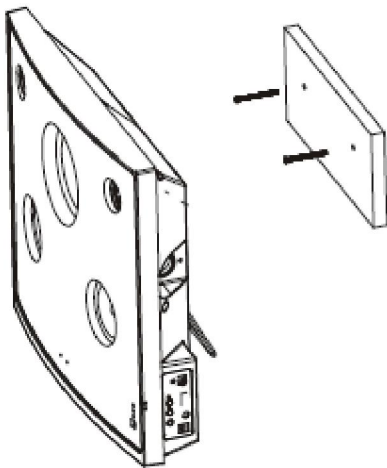
2. Mounting on the wooden wall

2.1 To determine the screw hole position, please stick attached "wall mounted guide" in parallel to the wooden wall where you need to hand the speaker.

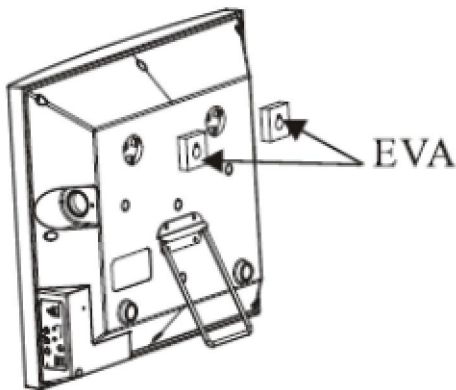


	Wall mounted Guide
	Dry wall

2.2 Fix the screws on the "wall mounted guide" "+" place.



2.3 Stick EVA spacers separately on the screw holes.



	EVA
--	-----




2.4 Hand the sound bar on the wall.

TROUBLESHOOTING GUIDE

Problem	What to do
No power	Check the connection of the AC/DC adapter between the speaker and wall outlet.
No sound	Check that the volume control is NOT at minimum Check that it is NOT set

	to mute.
The remote control won't work	Inspect or replace the battery. Make sure there are no obstacles obscuring the front of the Speaker.
No sound from in BT mode	Check if you have pairing or not. It needs to pair the external BT player and the speaker with password "0000" before 1st time listening.

GENERAL SPECIFICATIONS

Power Source:	DC  18V 2.5A, 
Power Source of Remote Control:	DC  3V, 1X CR 2025 battery (Included)
Power Consumption:	<50W
Audio Power :	
Woofer	40W
Left Channel	12.5W
Right Channel	12.5W
Impedance of Speakers:	
Woofer	4 Ohm, 50W
Left Channel	8 Ohm, 30W
Right Channel	8 Ohm, 30W

DENVER®

www.denver-electronics.com



Electric and electronic equipment and included batteries contains materials, components and substances that can be hazardous to your health and the environment, if the waste material (discarded electric and electronic equipment and batteries) is not handled correctly.

Electric and electronic equipment and batteries is marked with the crossed out trash can symbol, seen below. This symbol signifies that electric and electronic equipment and batteries should not be disposed of with other household waste, but should be disposed of separately.

As the end user it is important that you submit your used batteries to the appropriate and designated facility. In this manner you make sure that the batteries are recycled in accordance with legislature and will not harm the environment.

All cities have established collection points, where electric and electronic equipment and batteries can either be submitted free of charge at recycling stations and other collection sites, or be collected from the households. Additional information is available at the technical department of your city.

Imported by:

DENVER ELECTRONICS A/S

Stavneagervej 22

DK-8250 Egaa

Denmark

www.facebook.com/denverelectronics

Hereby, Inter Sales A/S, declares that this product (BTS-650) is in compliance with the essential requirements and other relevant provisions of Directive 1999/5/EC. A copy of the Declaration of conformity may be obtained at:

Inter Sales A/S

Stavneagervej 22,

DK-8250 Egaa

Denmark

www.facebook.com/denverelectronics